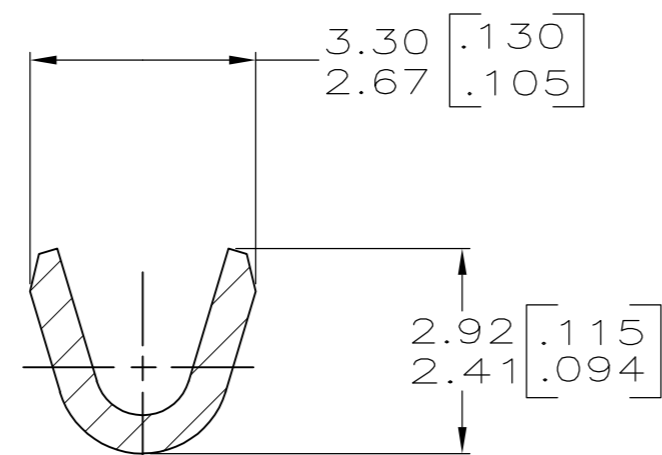
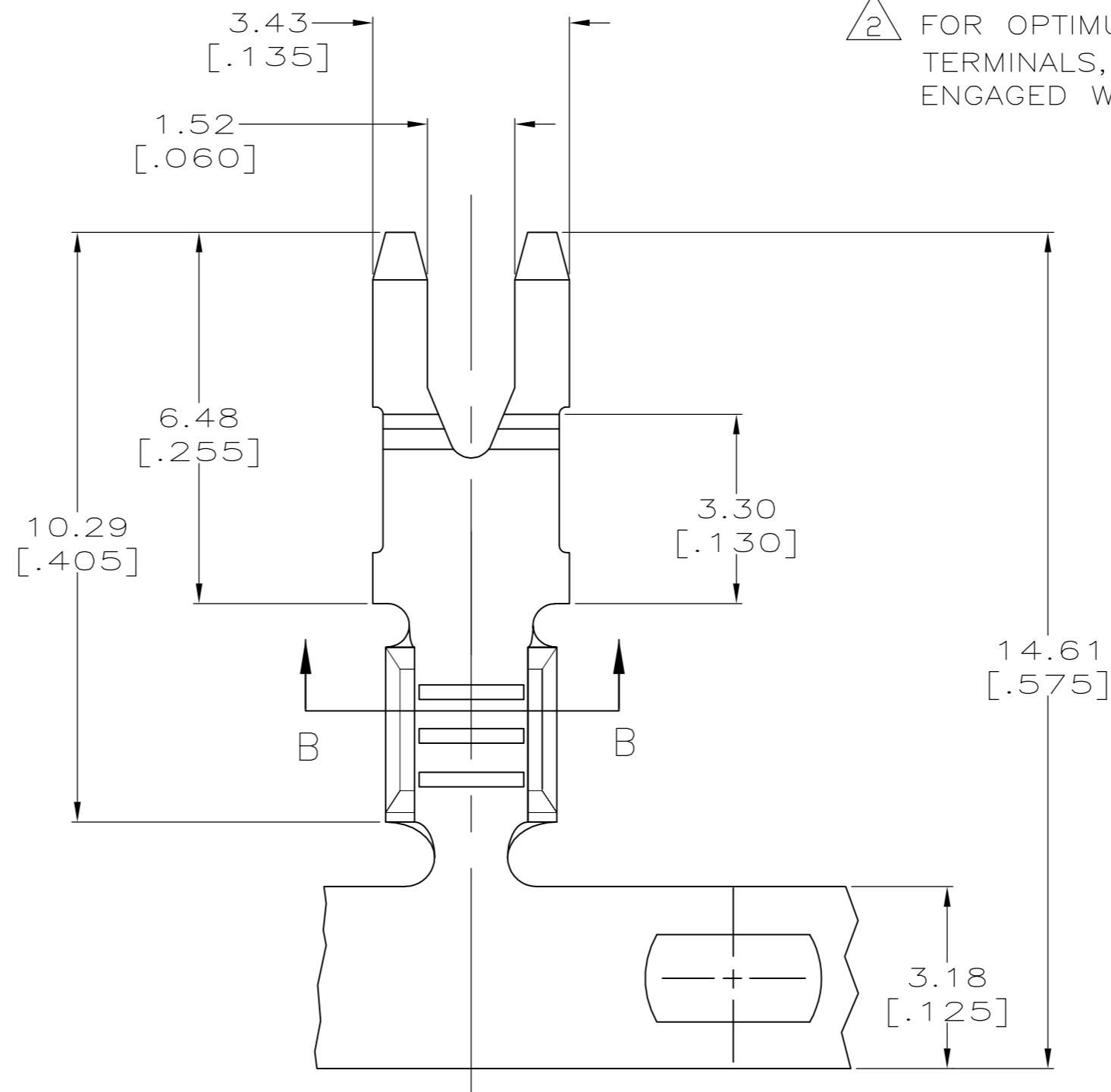
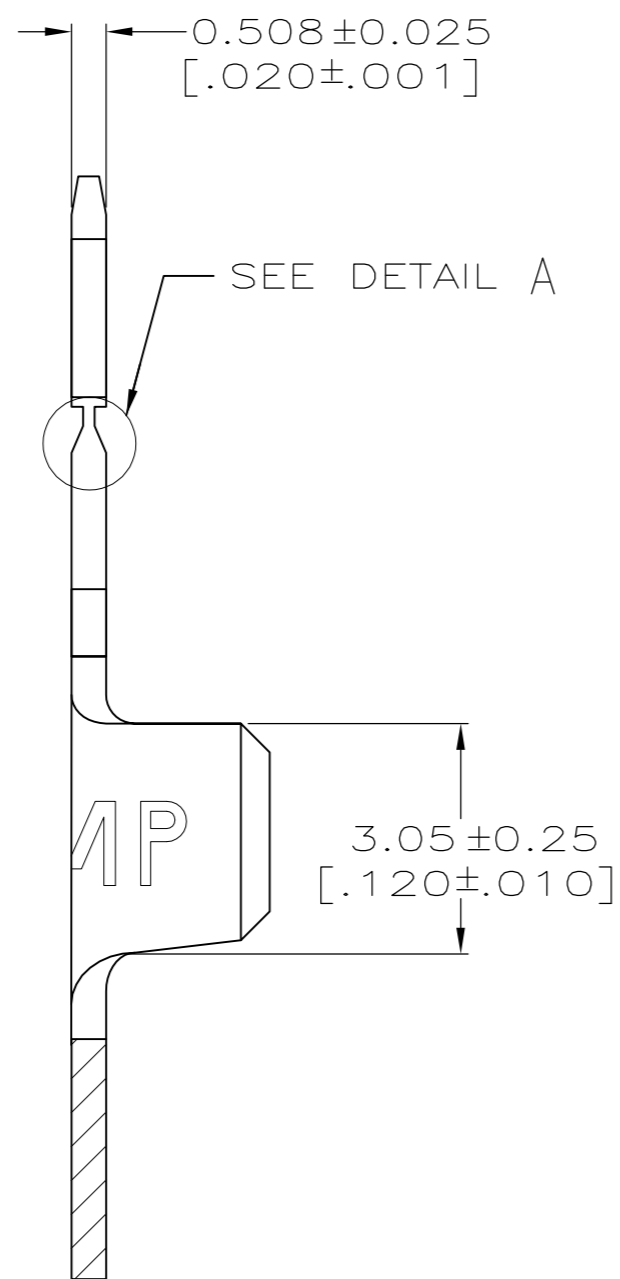
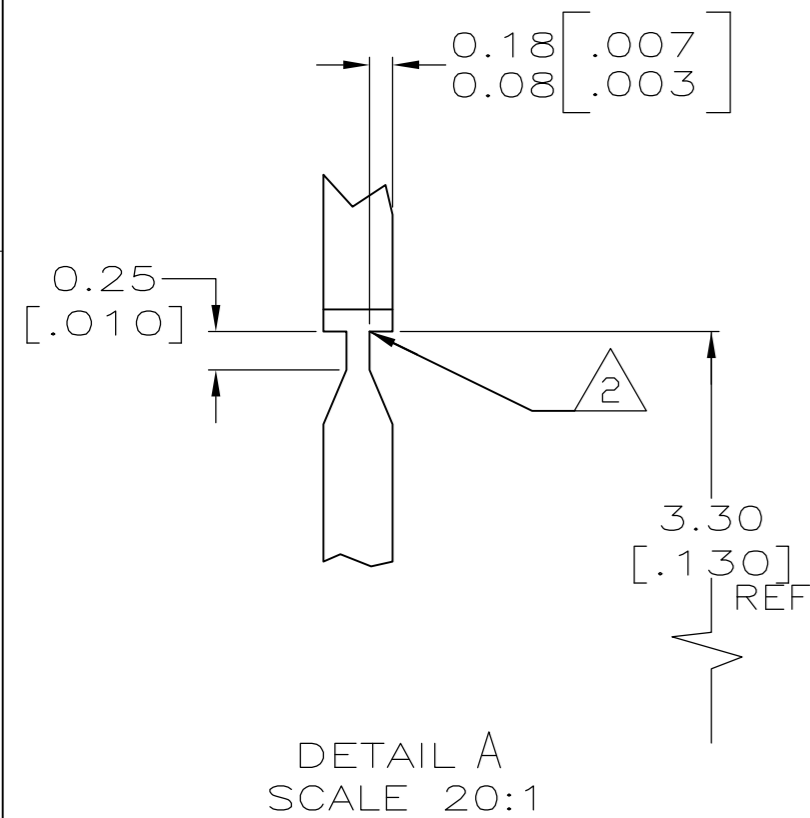


THIS DRAWING IS UNPUBLISHED. RELEASED FOR PUBLICATION
 © COPYRIGHT - By - ALL RIGHTS RESERVED.

LOC	DIST	REVISIONS			
P	LTR	DESCRIPTION	DATE	DWN	APVD
AF	50	L1	ECR-13-017177	05NOV13	PKS RRP

1 CONTINUOUS STRIP ON REELS

△ FOR OPTIMUM RETENTION IN POKE-IN TYPE MAG-MATE TERMINALS, THE SERRATION AS SHOWN MUST BE ENGAGED WITH THE EDGE OF THE LEAF



0.3-0.8mm [#22-#18] AWG	62897-1
WIRE RANGE	PART NUMBER

THIS DRAWING IS A CONTROLLED DOCUMENT.		DWN	R.GRZYBOWSKI	BAUG96				
DIMENSIONS:		CHK	M.S.FEHER	BAUG96				
mm	TOLERANCES UNLESS OTHERWISE SPECIFIED:	APVD	G.PORTA	BAUG96	NAME			
0 PLC ± -	1 PLC ± -	PRODUCT SPEC	-		TAB, POKE-IN, MAG-MATE™			
2 PLC ± 0.25[.010]	3 PLC ± -	APPLICATION SPEC	114-2050		SIZE	CAGE CODE	DRAWING NO	RESTRICTED TO
4 PLC ± -	ANGLES ± -	MATERIAL	BRASS	FINISH	TIN PLATE	A2	00779	C=62897
		CUSTOMER DRAWING			SCALE	10:1	SHEET	1 of 1
					REV	L1		