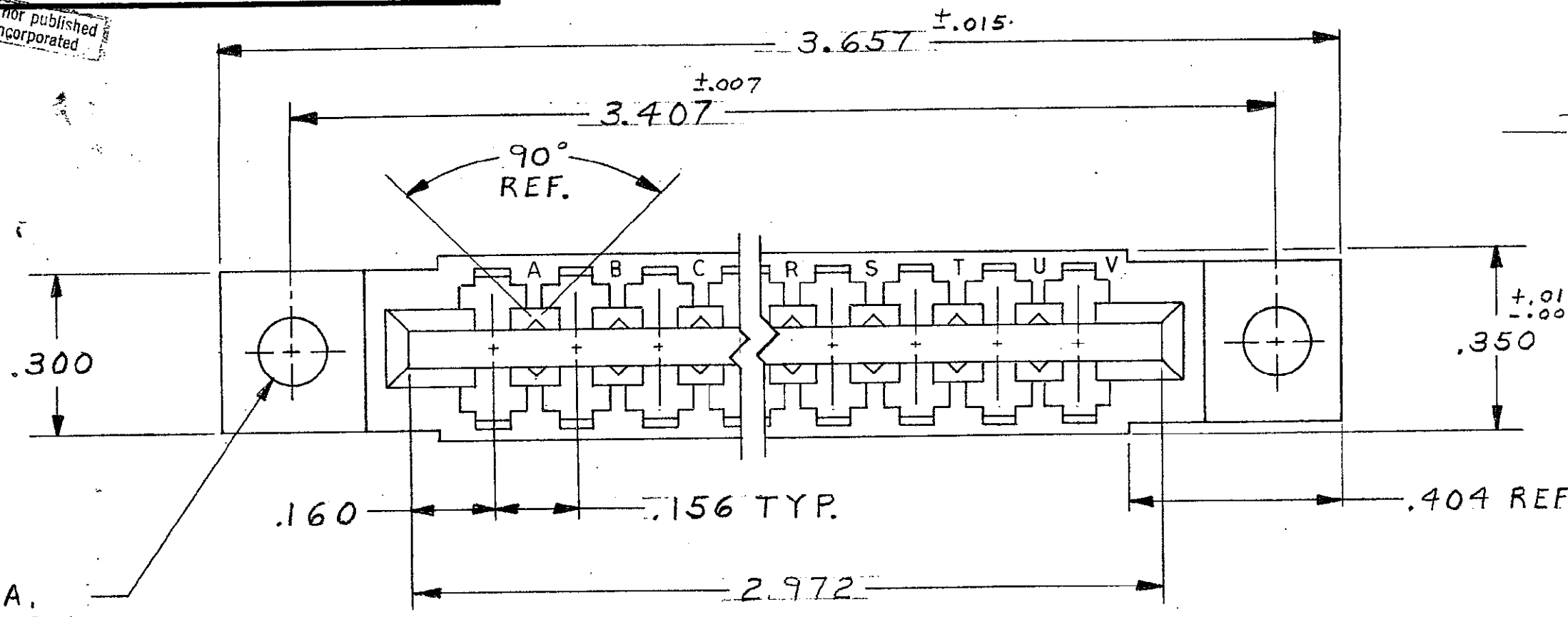


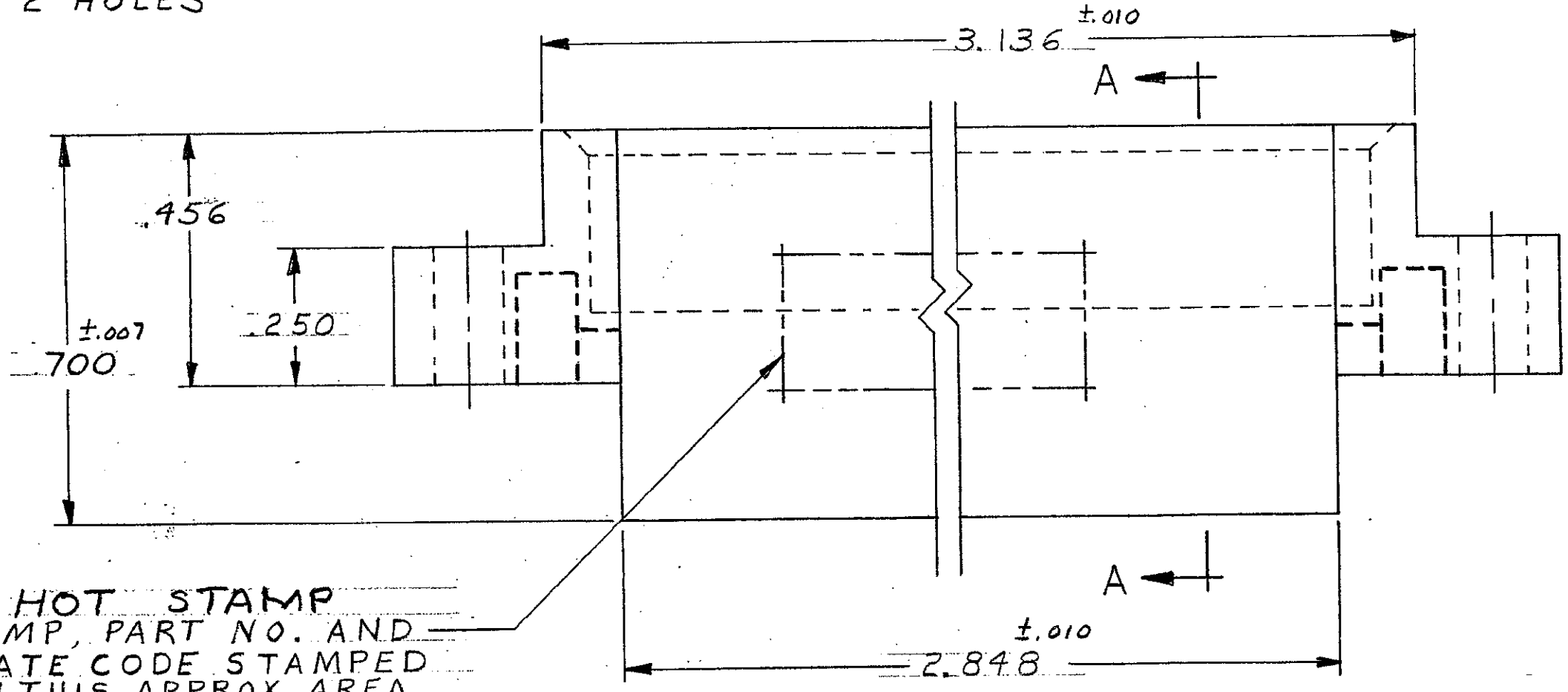
© 1970 BY AMP INCORPORATED. ALL RIGHTS RESERVED. AMP PRODUCTS COVERED BY PATENTS AND/OR PATENTS PENDING.

REVISIONS				
ZONE	LTR	DESCRIPTION	DATE	APPROVED
	01	ADDED - 3 WAS 5112-320-2 CUST. 3827 M.S.	6-8-73	M.Z.
	A	REVISED MAT'L 4657-	1-9-76	DR
	B	REV PER AD0702	5/14/85	CP / H.W. RELL
	C	REV PER AD 3180	1/89	AD / H.W. RELL
	D	REV PER 0010-0337-95	10-17-85	P.B.
	E	REV PER EC 0320-349-97	25 NOV 97	N/S
	E1	REVISED PER - ECO-09-026444	27NOV09	KK AEG

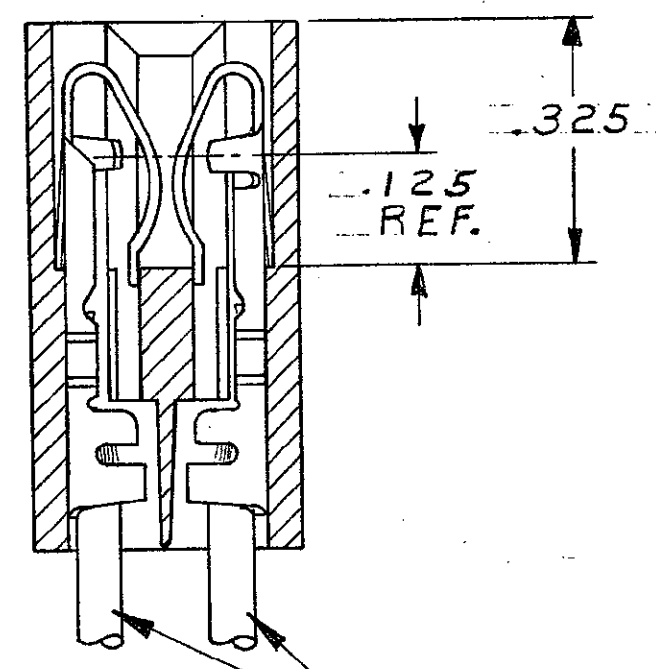


583725-1 1. AS SHOWN
~~583725-3 1. SAME AS -1 EXCEPT .156 DIA. MTG. HOLES.~~

125 DIA. 2 HOLES

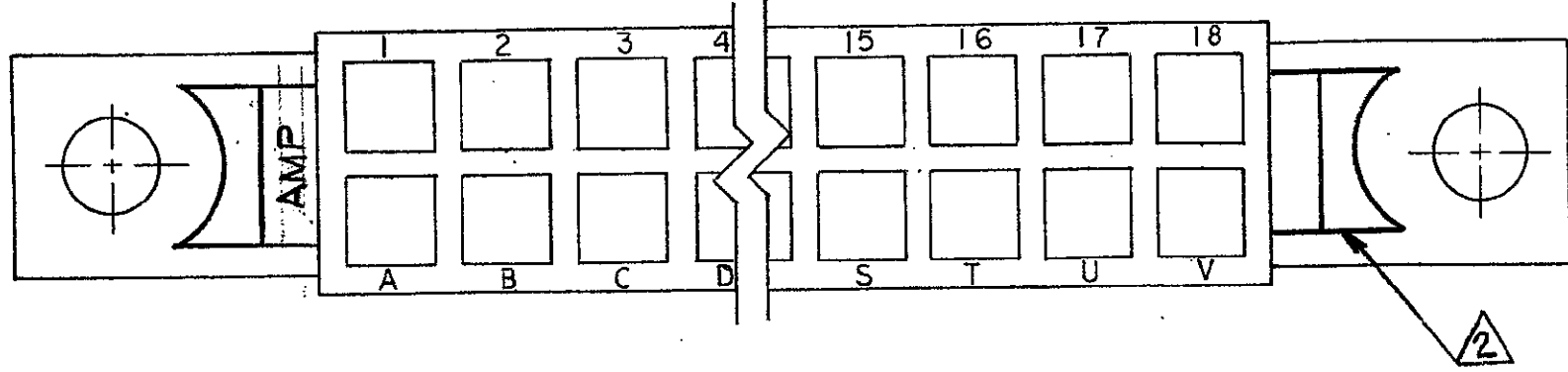


HOT STAMP
 AMP, PART NO. AND
 DATE CODE STAMPED
 IN THIS APPROX. AREA.
 PER 115-9009.



CONTACTS SHOWN FOR REF. ONLY.

SECT. A-A



1. 0.055 - 0.070 P.C. BOARD THICKNESS

2. VOID CORING PERMISSIBLE AT AMP'S OPTION REF ONLY

3. OBSOLETE PARTS: OBSOLETE CIS STREAMLINING PER D.RENAUD/D.SINISI

UNLESS OTHERWISE SPECIFIED, DIMENSIONS ARE IN INCHES TOLERANCES ON : DECIMALS ±.005 ANGLES ±	CONTRACT NO.	AMP INCORPORATED HARRISBURG, PENNSYLVANIA	
	MATERIAL GLASS FILLED NYLON OR POLYESTER COLOR: BLACK.	DR M. Smith 10-1-70	NAME HOUSING, AMP LEAF, 18 POSITION, DUAL.
	CHK D.S. Heide 4/30/71	APPD J. Kaufman 4/30/71	SIZE C
	REL R. Shawman 4/30/71	DSGN APPD	CODE IDENT NO. NUMBER 00779 583725
	OTHER APPD	SCALE 4-1	SHEET 1 OF 1

CUSTOMER DRAWING