

# Mounting Bracket

PART NUMBER: BRK0006



## Features & Applications:

- ☑ Universal multipurpose antenna mounting bracket.
- ☑ Stainless Steel Bracket, V-Bolts, nuts, and washers (included)
- ☑ Pole mounting, vertical or horizontal
- ☑ Wall mounting (Screws not included)
- ☑ RoHS compliant
- ☑ Fits a variety of antenna types:  
 Direct mount antennas  
 Baton (RO) style omni antennas  
 Adhesive mount antennas

### MECHANICAL SPECIFICATIONS

BRK0006

Dimension (Length x Width x Height)	Material	Weight
5.10" (129.6) x 3.25" (82.5) x 4.98" (126.4)	SUS316 Steel	0.86lb (390g)

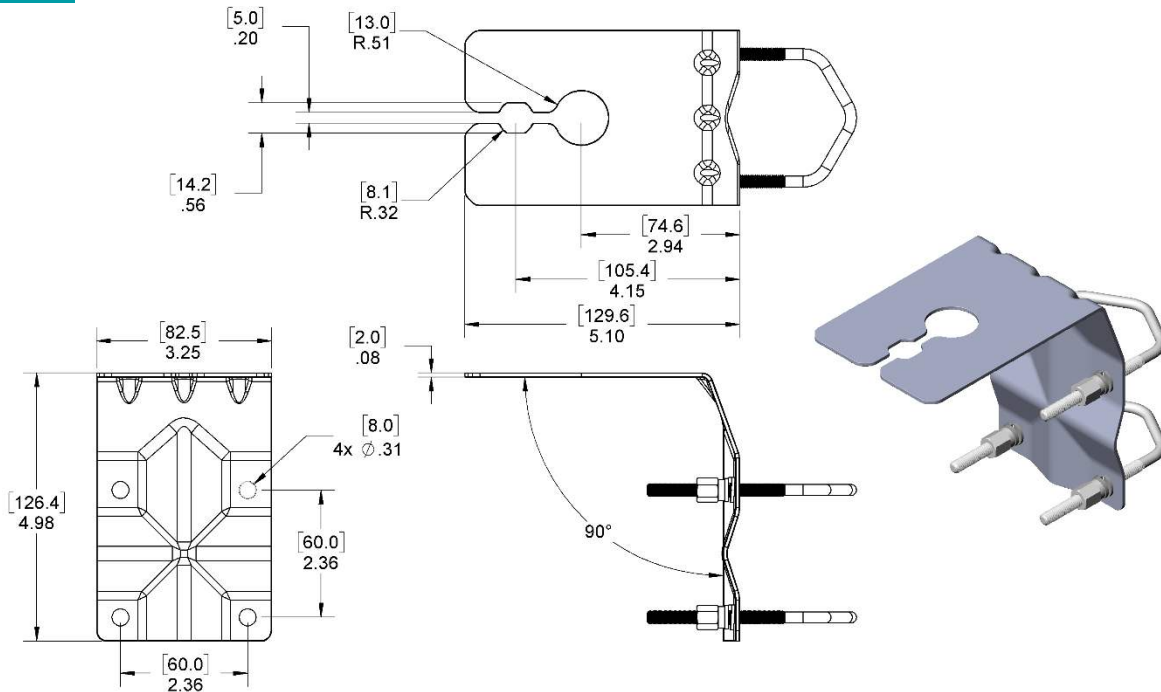
### ENVIRONMENTAL SPECIFICATIONS

BRK0006

Storage Temperature	Operating Temperature	Salt Mist <sup>1</sup>	RoHS Compliant
-40/+85° C	-40/+85° C	720H	Yes

## Mechanical Drawing

BRK0006<sup>2</sup>



Dimensions: Inches (mm)

Unless otherwise specified, all tolerances are ±.010 (0.25mm)

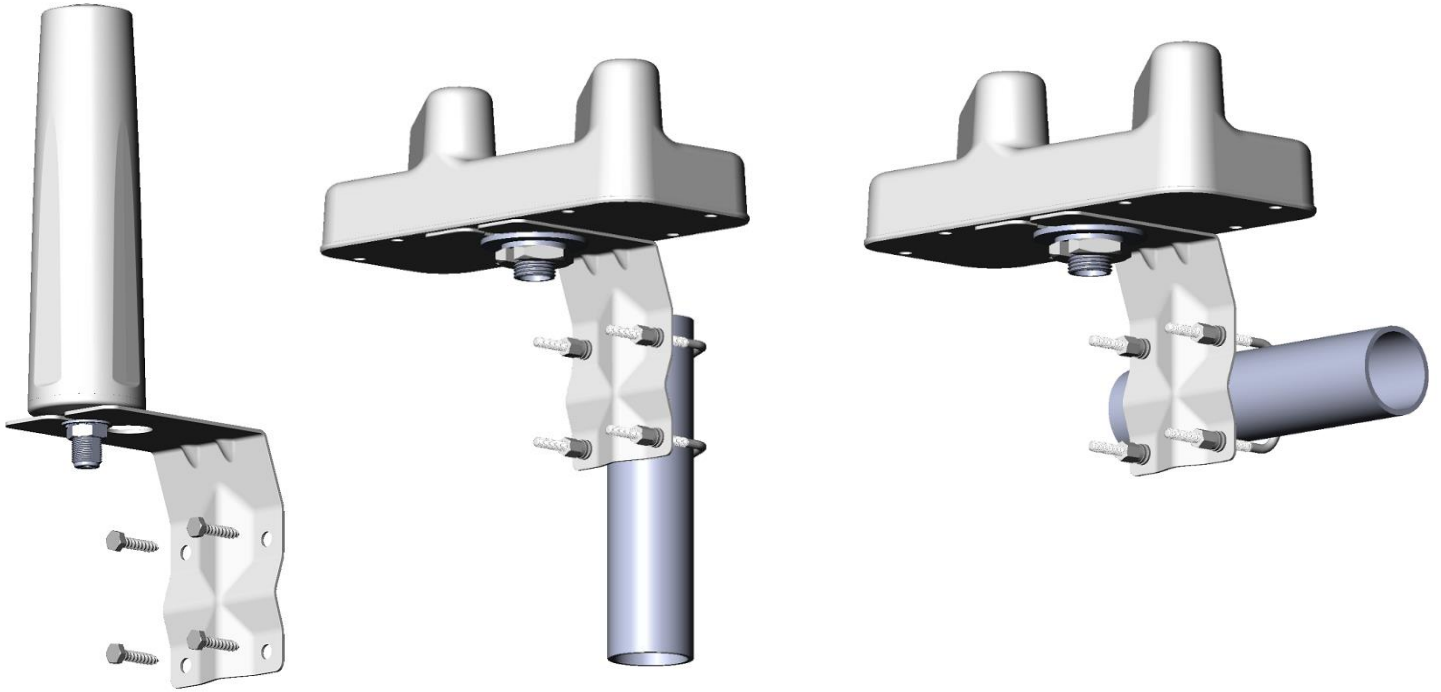
1. Salt Mist: According to paragraph 6.5 of standard NF-EN, ISO9227 5% NaCl spray for 720h, @ +35 °C, +95% RH
2. Components included: Bracket, 1pcs + V-bolt, 2pcs + Flat Washer, 4pcs + Split Washer, 4pcs + M6 Nut, 4pcs

# Mounting Bracket

PART NUMBER: BRK0006

## Typical antenna mounting configurations

BRK0006



## Appendix A

BRK0006

### Antenna and electric power line safety.

The bracket is labeled by warning label to remind you about safety. Please do not mount antenna near electric power lines.



## Packaging

BRK0006

### Packaging info:

- 1 Bracket and hardware packed in a plastic bag.
- 1 label on each plastic bag with part number, description, date code.

### Notes:

1. Please contact sales for availability, lead time, and/or any special requests. Samples available upon request.

### For More Information:

Americas - [antennas.us@pulseelectronics.com](mailto:antennas.us@pulseelectronics.com) | Europe - [antennas.eu@pulseelectronics.com](mailto:antennas.eu@pulseelectronics.com) | Asia - [antennas.as@pulseelectronics.com](mailto:antennas.as@pulseelectronics.com) | Questions? +1-800-ANTENNA  
Performance warranty of products offered on this data sheet is limited to the parameters specified. Data is subject to change without notice. Other brand and product names mentioned herein may be trademarks or registered trademarks of their respective owners. © Copyright , 2020. Pulse Electronics, Inc. All rights reserved.