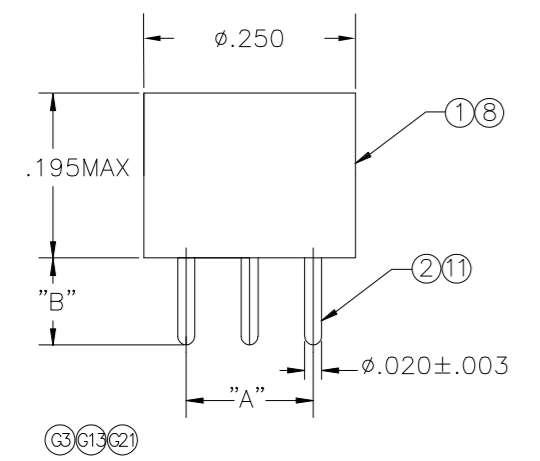
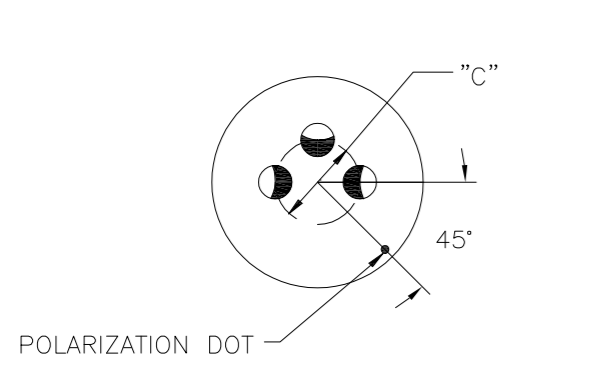


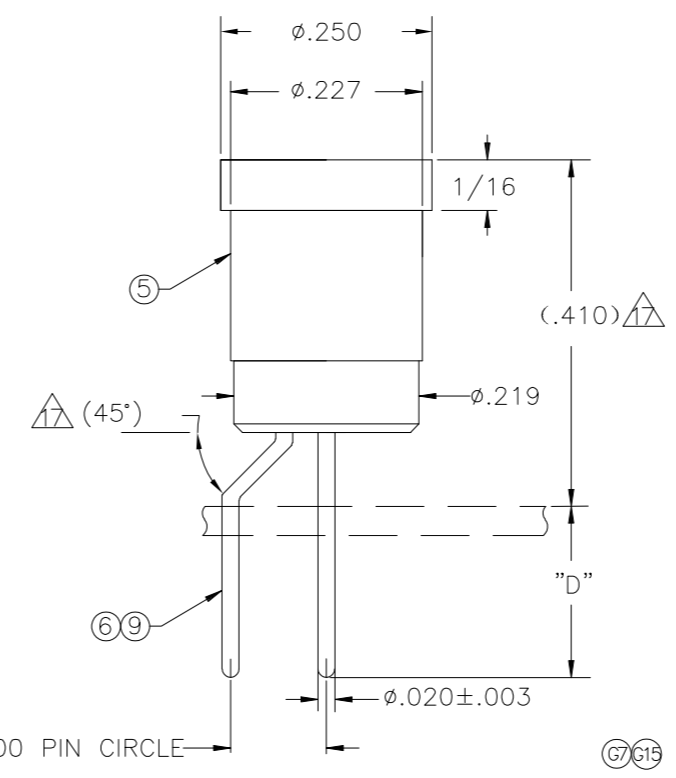
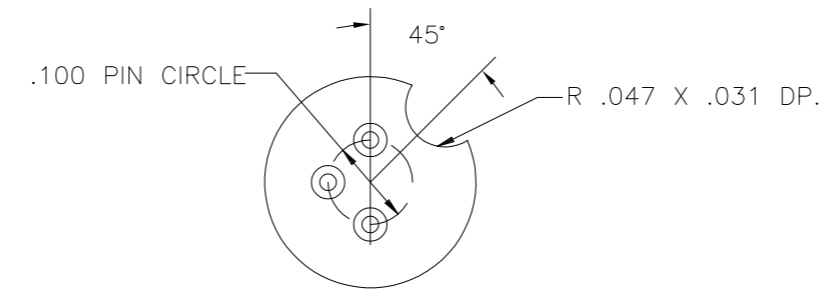
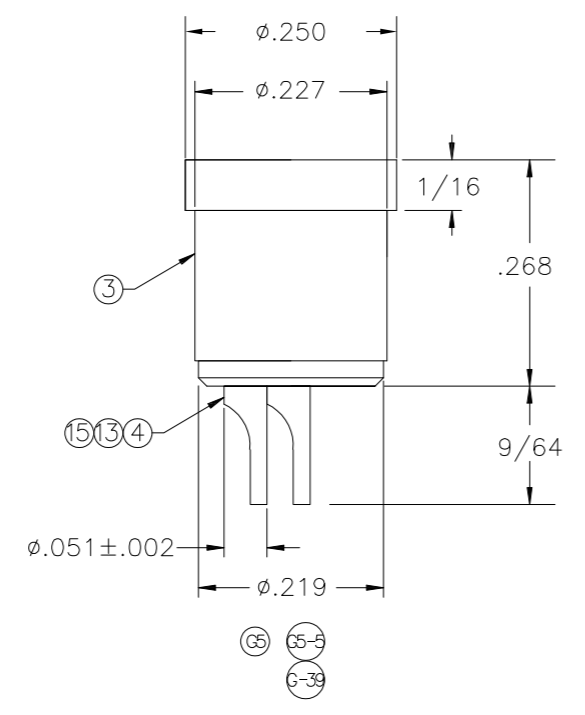
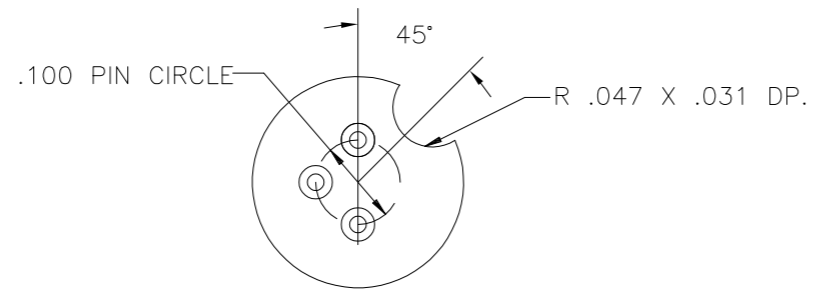
THIS DRAWING IS UNPUBLISHED. RELEASED FOR PUBLICATION
 © COPYRIGHT - By - ALL RIGHTS RESERVED.

LOC		DIST		REVISIONS			
P	LTR	DESCRIPTION	DATE	DWN	APVD		
A		RE-DRAW	26SEP2013	W.W	C.W		



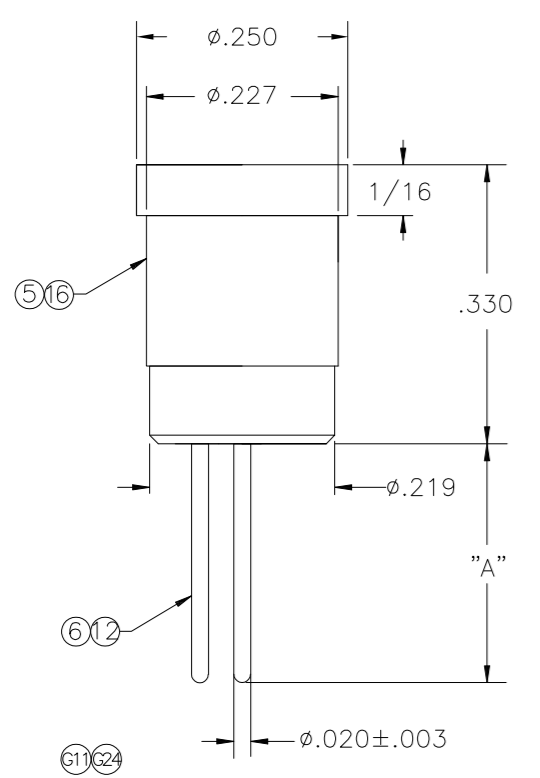
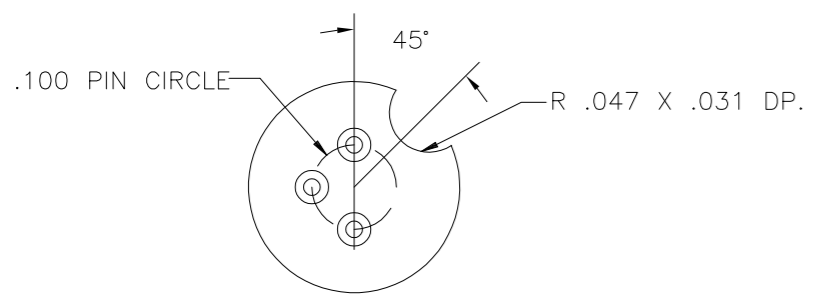
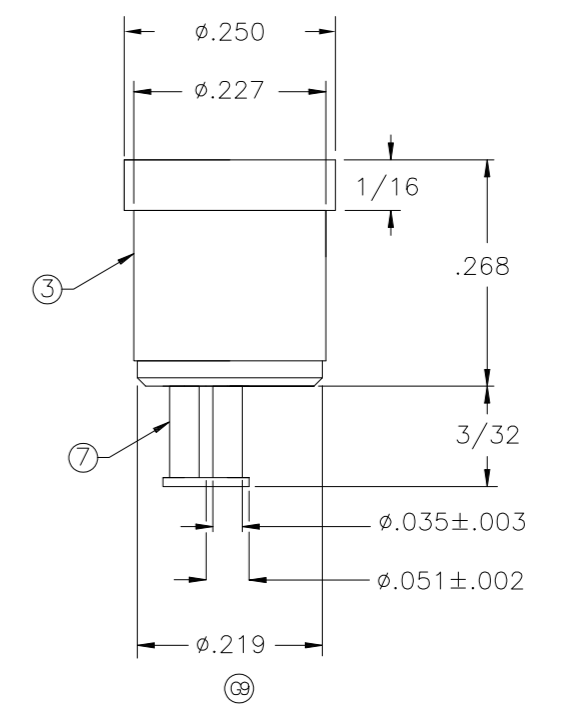
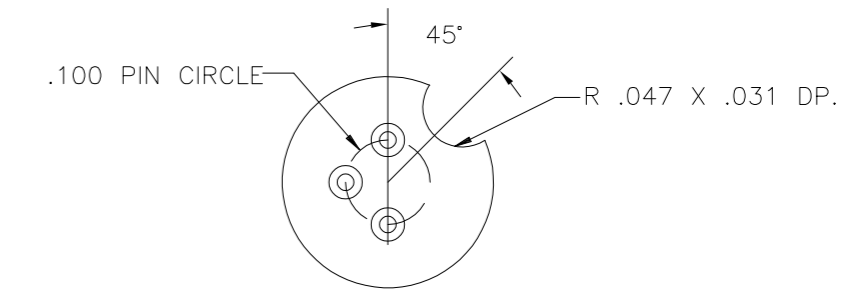
PART NO.	DIM "A"	DIM "B" ±1/32	DIM "C"
8060-1G3	.150	.103	.100
8060-1G13	.100	.103	.100
8060-1G21	.100	5/16	.100

NOTE:
 8060-1G13:
 WHEN CONTACTS ARE RECESSED "C" DIA. TOLERANCE IS ±.010

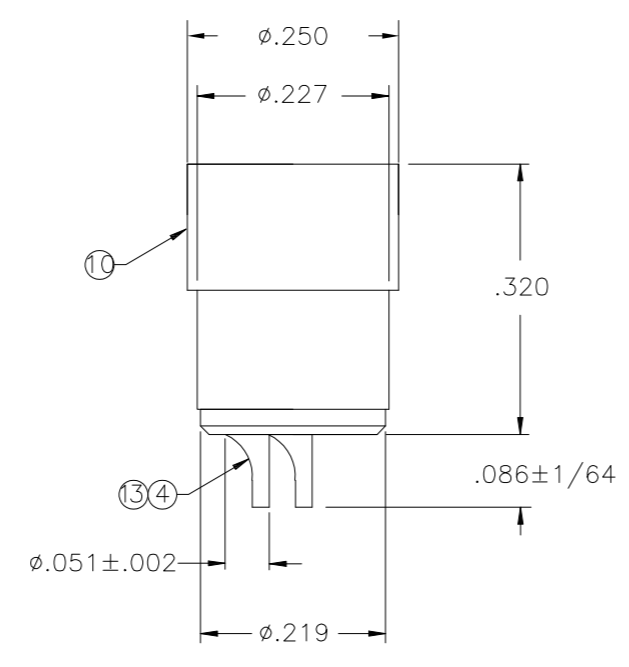
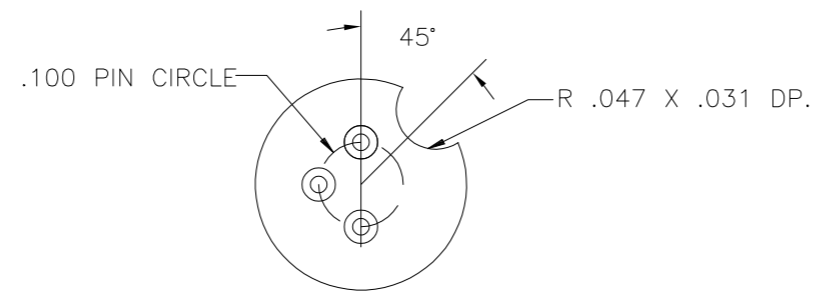


PART NO.	DIM "D"
G7	.170 ± .031

8060-1G15, SAME AS 8060-1G7 EXCEPT CONTACTS ARE GOLD OVER COPPER PLATE



PART NO.	DIM "A" ±1/32
8060-1G11	.240
8060-1G24	1.685



RECESS ALL CONTACTS .10 MIN.

NOTES:
 1. PART NUMBERS WITH THE SUFFIX "R" WILL HAVE THE SOCKET TERMINALS RECESSED .010 ± .005.

QTY	DESCRIPTION	DWG.	SIZE	PART NUMBER	ITEM NO.
1	INSULATOR	B		8060-2P21	16
3	CONTACT ASS'Y	B		SLST-1BG1-17	15
3	CONTACT ASS'Y	B		LST-1BG1-15	13
3	CONTACT ASS'Y	B		SLST-1AG6-1	12
3	CONTACT ASS'Y	B		SLST-1AG11-1	11
1	INSULATOR	B		8060-20P2	10
1	CONTACT ASS'Y	B		SLST-1AG10-1	9
1	INSULATOR	B		8060-2P12	8
3	CONTACT ASS'Y	B		SLST-1CG1-1	7
3	CONTACT ASS'Y	B		SLST-1AG10-1	6
1	INSULATOR	D		8060-2P10	5
3	CONTACT ASS'Y	B		SLST-1BG1-1	4
1	INSULATOR	D		8060-2P2	3
3	CONTACT ASS'Y	B		SLST-1AG4-1	2
1	INSULATOR	D		8060-2P8	1
G-39	DESCRIPTION	DWG.	SIZE	PART NUMBER	ITEM NO.

THIS DRAWING IS A CONTROLLED DOCUMENT.

DWN	WINNG.WANG	26SEP2013
CHK	SIMON.LI	26SEP2013
APVD	COREL.WANG	26SEP2013

TE Connectivity

SOCKET ASSEMBLY

SCALE: 1:1 SHEET 1 OF 1 REV A