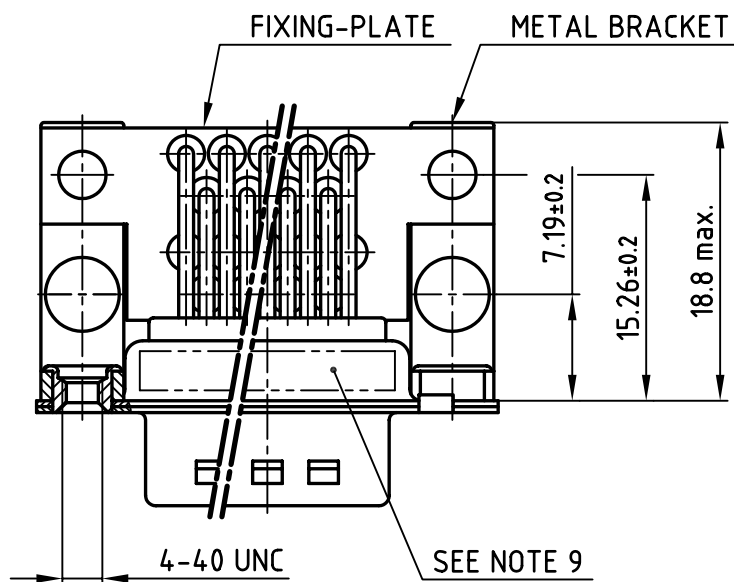
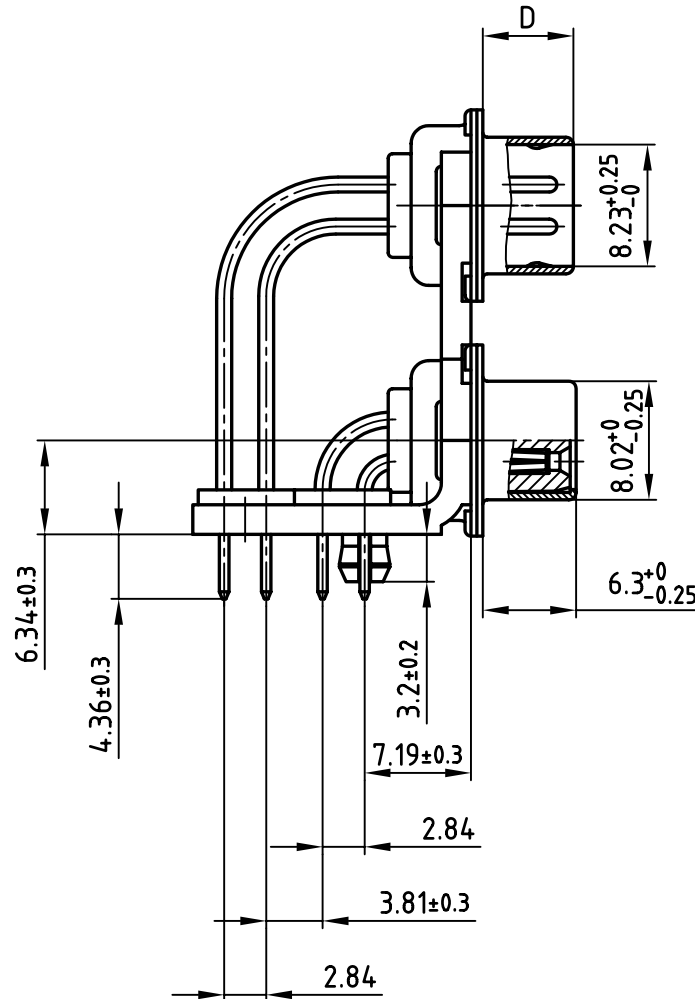
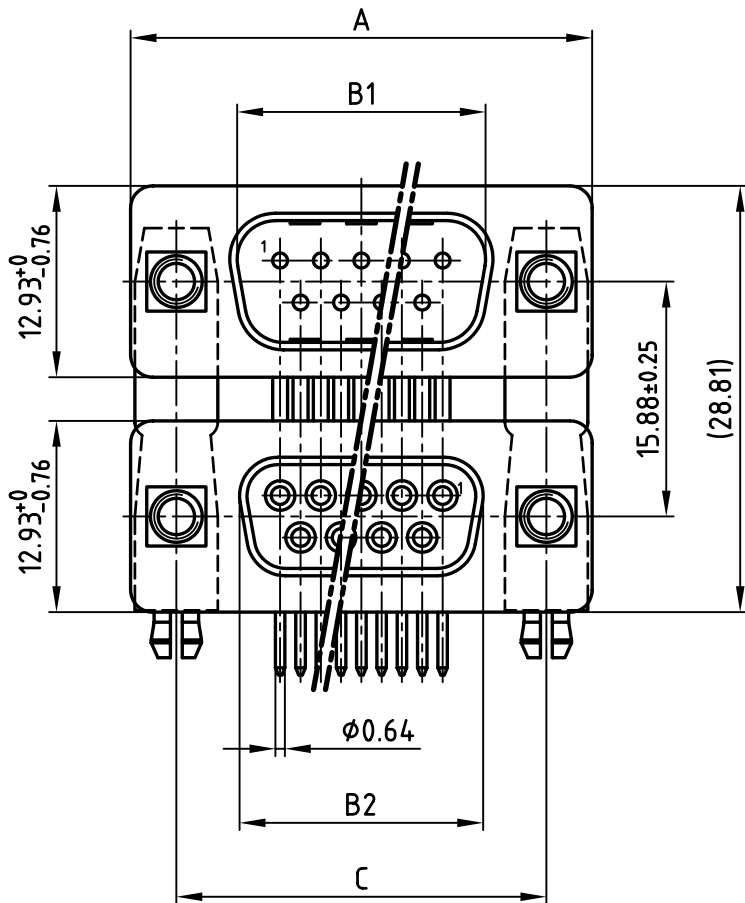


used for: D-SUB Dual Port

POS.	A ^{-0.76}	B1 ^{+0.25}	B2 ^{-0.25}	C	D ^{-0.3}	PART-NO.
2x 9	31.19	16.79	16.46	25.00 ^{+0.12} _{-0.13}	6.12	163A20009X
2x15	39.52	25.12	24.79	33.30 ^{+0.15} _{-0.1}	6.12	163A20019X
2x25	53.42	38.84	38.50	47.04 ^{±0.13}	5.99	163A20029X
2x37	69.70	55.30	54.96	63.50 ^{±0.13}	5.99	163A20039X



NOTES:

- METALSHELLS: STEEL; min. 320µ" TIN
- INSULATORS: PBT GF UL 94 V-0, BLACK
- CONTACTS: COPPER ALLOY
PLATING: 8µ" HARD GOLD OVER min. 50µ" NICKEL
- METAL BRACKET: STEEL; min. 320µ" TIN over 80µ" NICKEL
- THREADED INSERT: COPPER ALLOY; min. 200µ" TIN over 80µ" NICKEL
- FIXING-PLATE: PBT GF UL 94 V-0, BLACK
- P.C.B. HOLE DRILLINGS ON SHEET 2 + 3
- MAXIMUM TORQUE VALUE FOR THREAD: 6" LBS
- CONNECTOR IS PART MARKED: PART-NO. CONEC ABC

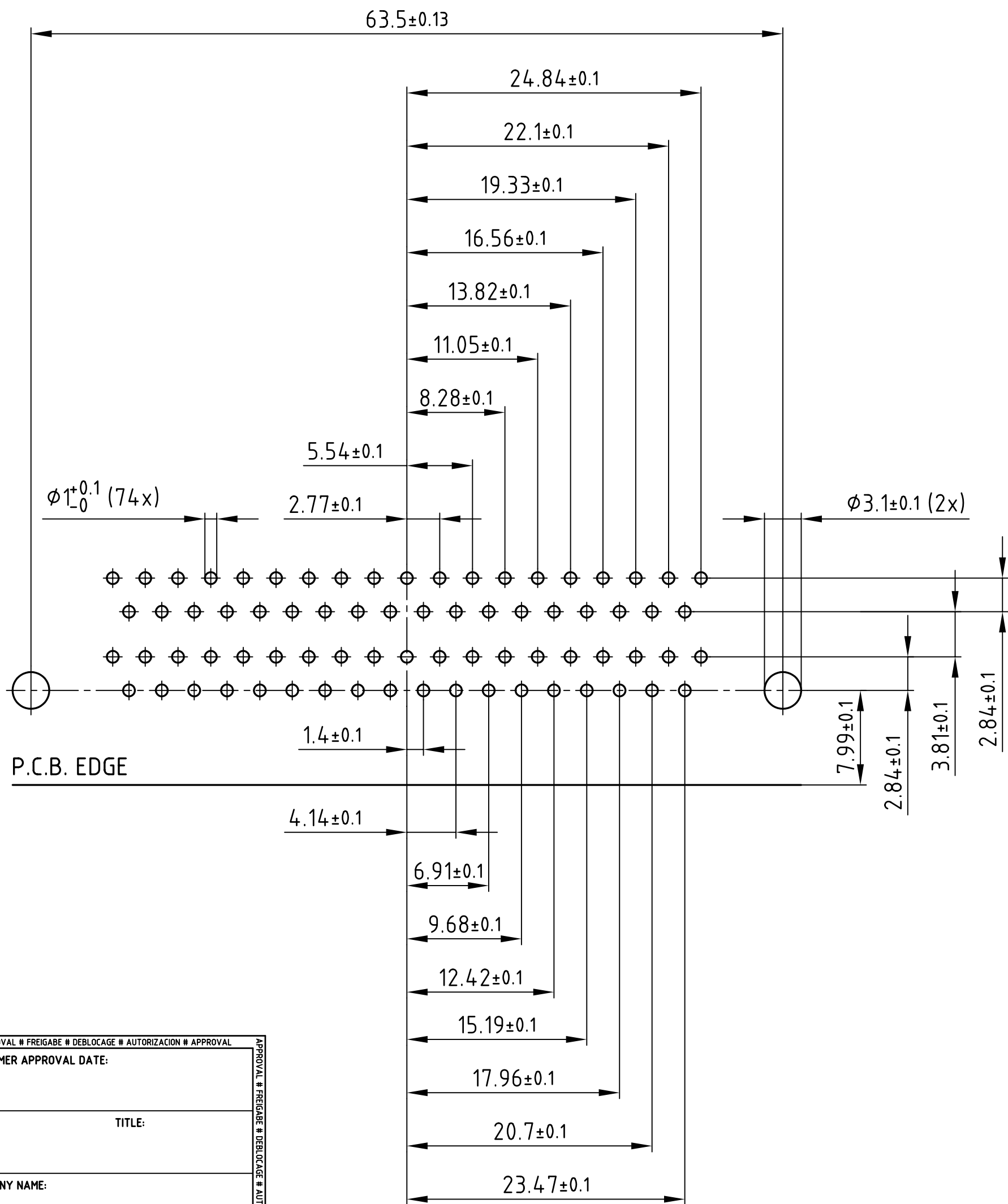


APPROVAL # FREIGABE # DEBLOCAGE # AUTORIZACION # APPROVAL	
CUSTOMER APPROVAL DATE:	
NAME:	TITLE:
COMPANY NAME:	
APPROVAL # FREIGABE # DEBLOCAGE # AUTORIZACION # APPROVAL	

THIS DRAWING MAY NOT BE COPIED OR REPRODUCED IN ANY WAY, AND MAY NOT BE PASSED ON TO A THIRD PARTY WITHOUT WRITTEN PERMISSION. OWNERSHIP AND COPYRIGHT OF CONEC GmbH		
DO NOT ALTER CAD DRAWING BY HAND		
rev.	description	date name

tolerance	dim. in mm	scale: 2:1
		material: SEE NOTES
2005	date	name
drawn	21.11.	Lehmenkühler
appd.	21.11.	Mickenbecker
norm		DIN 41652
d-old		
		title: DUAL PORT 15.88mm MALE / FEMALE 2x9pos. - 2x37pos. with threaded insert and clip
		dwg no: AutoCAD 2004 DIN-A 3 sh:1/3
part no:		SEE TABLE

used for: D-SUB Dual Port



2x37 pos.

APPROVAL # FREIGABE # DEBLOCAGE # AUTORIZACION # APPROVAL	
CUSTOMER APPROVAL DATE:	
NAME:	TITLE:
COMPANY NAME:	
APPROVAL # FREIGABE # DEBLOCAGE # AUTORIZACION # APPROVAL	

THIS DRAWING MAY NOT BE COPIED OR REPRODUCED IN ANY WAY, AND MAY NOT BE PASSED ON TO A THIRD PARTY WITHOUT WRITTEN PERMISSION.
 OWNERSHIP AND COPYRIGHT OF CONEC GmbH
 DO NOT ALTER CAD DRAWING BY HAND

tolerance			dim. in mm		
2005	date	name	scale: 2:1		
drawn	21.11.	Lehmenkühler	material: SEE SHEET 1		
appd.	21.11.	Mickenbecker	title: P.C.B. HOLE DRILLINGS		
norm			DUAL PORT 15.88mm MALE / FEMALE		
d-old			with threaded insert and clip		
rev.	description	date	name	dwg no: AutoCAD 2004	
				DIN-A 4	
				sh:3/3	
part no: SEE SHEET 1				16K2A970	

4

3

2

1

A

A

B

B

C

C

D

D

E

E

F

F