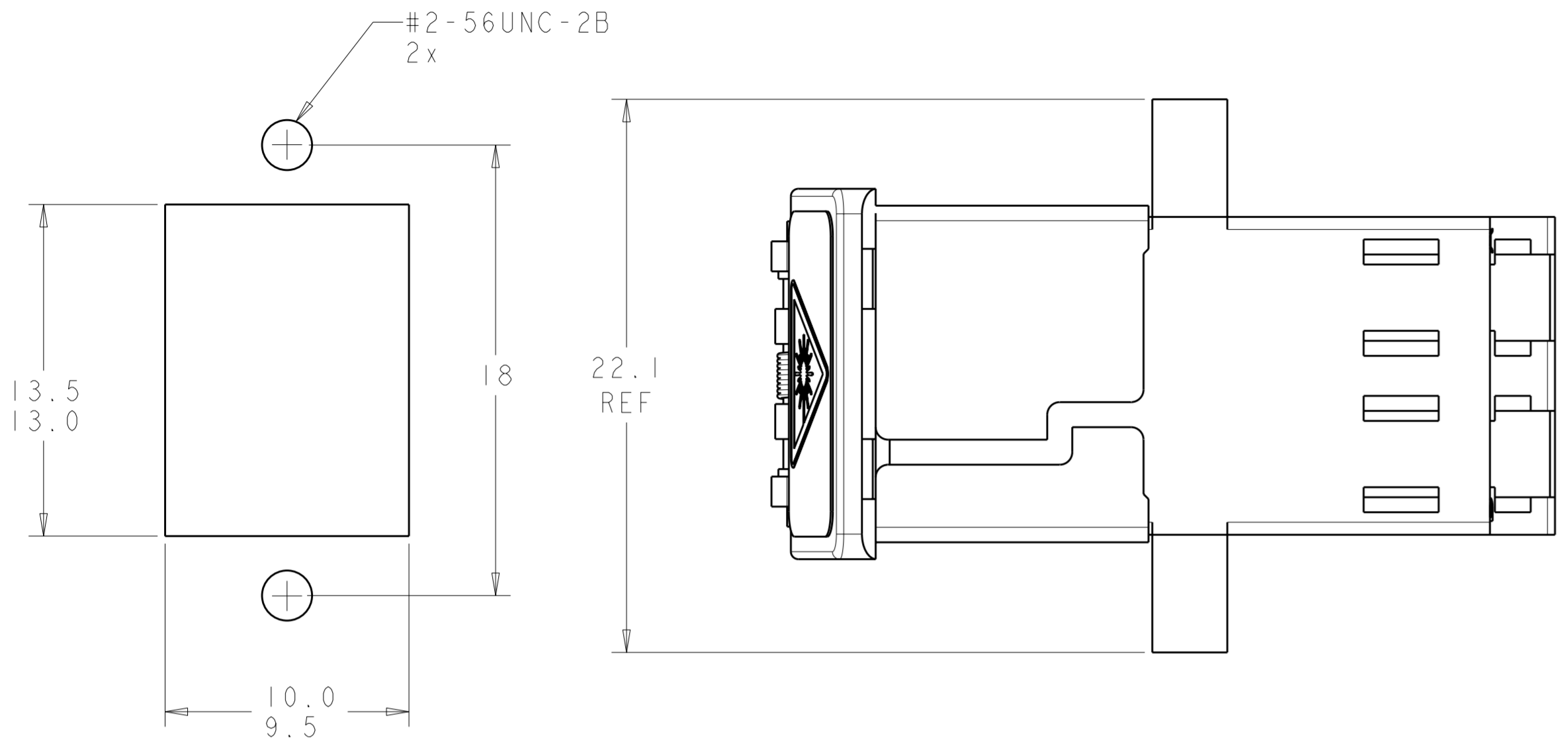
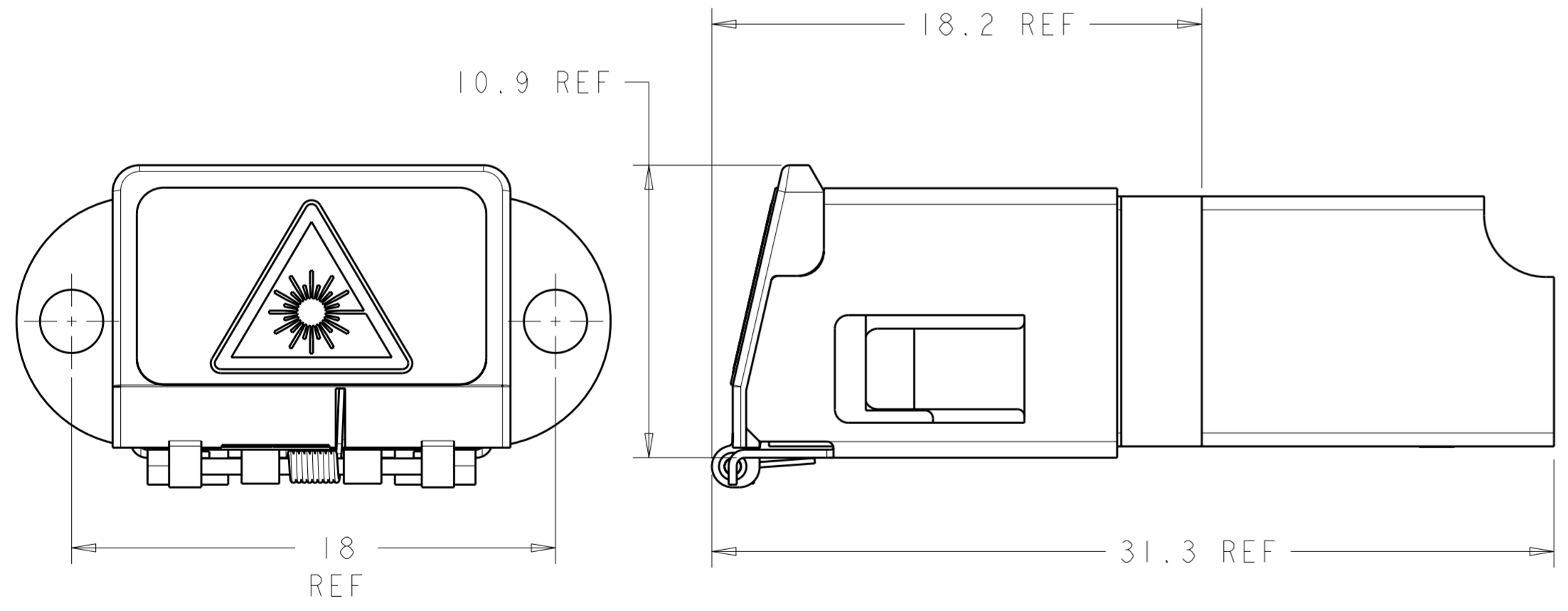


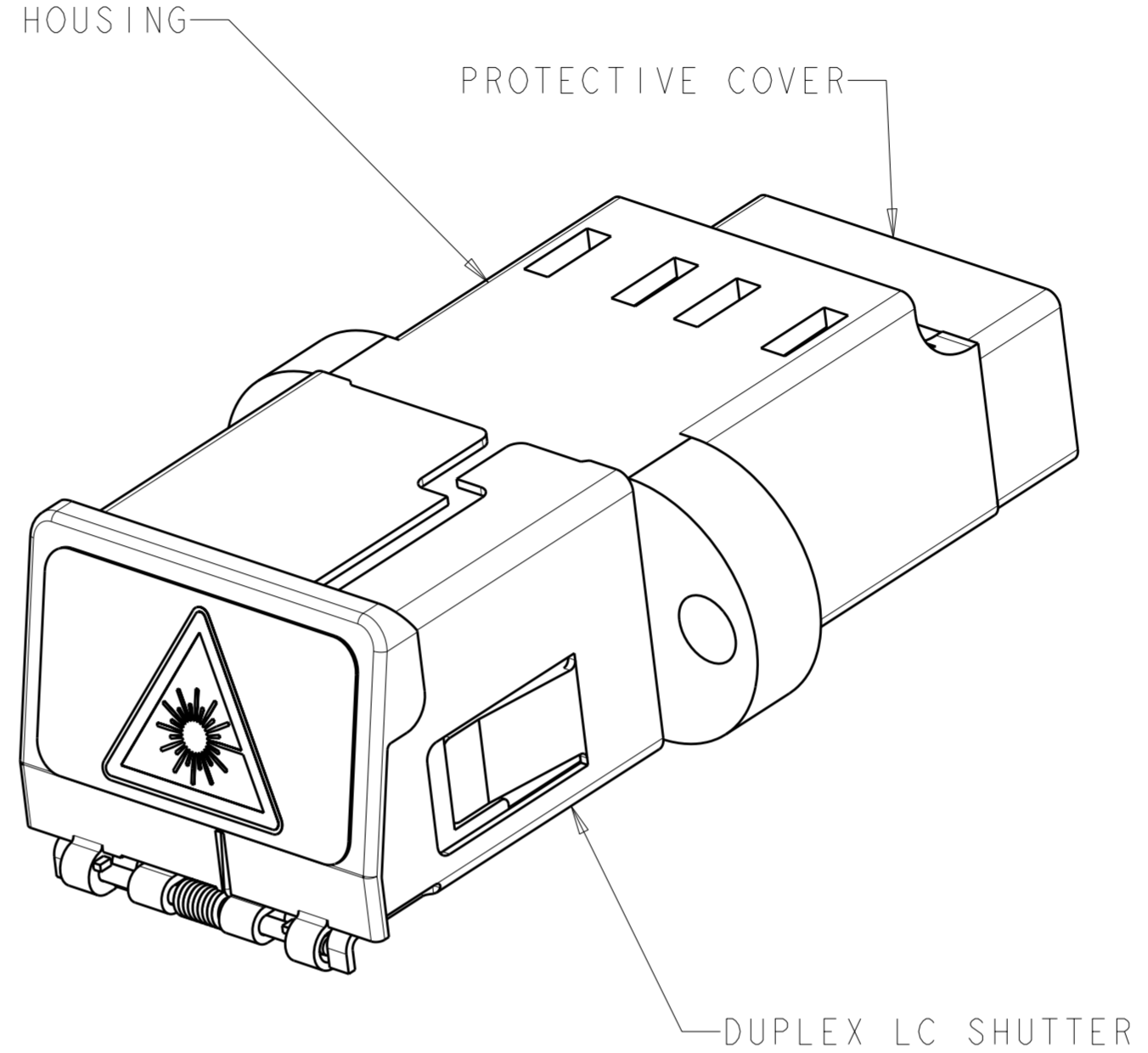
LOC	DIST	REVISIONS				
P	LTR	DESCRIPTION	DATE	DWN	APVD	
CE	00	A	ECR-09-013584	23JUN2009	BB SM	



RECOMMENDED PANEL CUTOUT  
 MAX. PANEL THICKNESS 1.7



**MATERIAL:**  
 ADAPTER HOUSING: THERMOPLASTIC, COLOR: SEE TABLE\*  
 PROTECTIVE COVER: TPE, COLOR: BLACK\*  
 ALIGNMENT SLEEVES: CERAMIC  
 SHUTTER HOUSING, SPRING, AND SHAFT: STAINLESS STEEL  
 SHUTTER DOOR: POLYCARBONATE, COLOR: BLACK\*  
 LABEL: PET FILM, COLOR: SEE TABLE  
 \*UL 94 V-0 RATED AT QUALIFYING THICKNESS



BLACK	BEIGE	1-2064658-7
AQUA	AQUA	1-2064658-6
GREEN	GREEN	2064658-6
BEIGE	BEIGE	2064658-5
BLUE	BLUE	2064658-4
ADAPTER COLOR	SHUTTER LABEL COLOR	PART NUMBER

THIS DRAWING IS A CONTROLLED DOCUMENT FOR TYCO ELECTRONICS CORPORATION IT IS SUBJECT TO CHANGE AND THE CONTROLLING ENGINEERING ORGANIZATION SHOULD BE CONTACTED FOR THE LATEST REVISION.		DWN B. BRIGGS 21OCT2008 CHK S. MILLER 21OCT2008 APVD 21OCT2008		Tyco Electronics Harrisburg, PA 17105-3608	
DIMENSIONS: mm		TOLERANCES UNLESS OTHERWISE SPECIFIED: 0 PLC ± 1 PLC ± 2 PLC ± 3 PLC ± 4 PLC ± ANGLES ± FINISH		NAME SHUTTER ADAPTER, LC DUPLEX, FLANGED, SR-SR	
MATERIAL		PRODUCT SPEC APPLICATION SPEC WEIGHT		SIZE CAGE CODE DRAWING NO RESTRICTED TO A200779 C=2064658	
CUSTOMER DRAWING				SCALE 5:1 SHEET 1 OF 1 REV A	