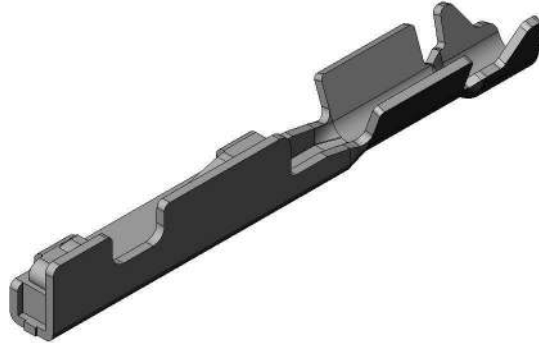


# MX77S13K5F1

## Product Details

---



### Features

Low-profile Automotive Connector, Ultra compact type 0.4 mm tab size, Socket Contacts

<b>Part Number</b>	<b>MX77S13K5F1</b>
<b>Status</b>	<b>Active</b>
<b>Number of Positions</b>	
<b>Rated Current</b>	3A
<b>Waterproof/ Non-waterproof</b>	Non-waterproof
<b>Applications</b>	Connection for Automotive Ethernet, etc.
<b>Connector Type</b>	Socket Terminal
<b>Connector Style</b>	
<b>Number of Rows</b>	
<b>Contact Type</b>	
<b>Terminal Size</b>	
<b>PCB Mounting Method</b>	
<b>PCB Boardlock Feature</b>	
<b>PCB Mounted Height</b>	

<b>Wire Termination Style</b>	Crimp
<b>Applicable Wire Size (mm<sup>2</sup>)</b>	UTP(AWG#26, Outer diameter 3.2mm)
<b>Material of Insulator</b>	
<b>Material of Contact</b>	
<b>Finish of Contact in Connecting Area</b>	
<b>Finish of Contact in Terminal Area</b>	
<b>RoHS compliant</b>	10 substances (2011/65/EU, (EU)2015/863)
<b>REACH compliant</b>	233 substances (17/01/2023)
<b>Remarks</b>	

#### **Notice**

1. The values specified in this web site are only for reference. The products and their specifications are subject to change without notice. Contact our sales staff for further information before considering or ordering any of our products.  
For purchase, a product specification must be agreed upon.
2. Please contact us if you are considering use involving a quality assurance program that you specify or that is peculiar to the industry. Also contact us regarding the details of use, usage, specification before considering or ordering any of our products.
3. Users are requested to provide protection circuits and redundancy circuits to ensure safety of the equipment, and sufficiently review the suitability of JAE's products to the equipment.