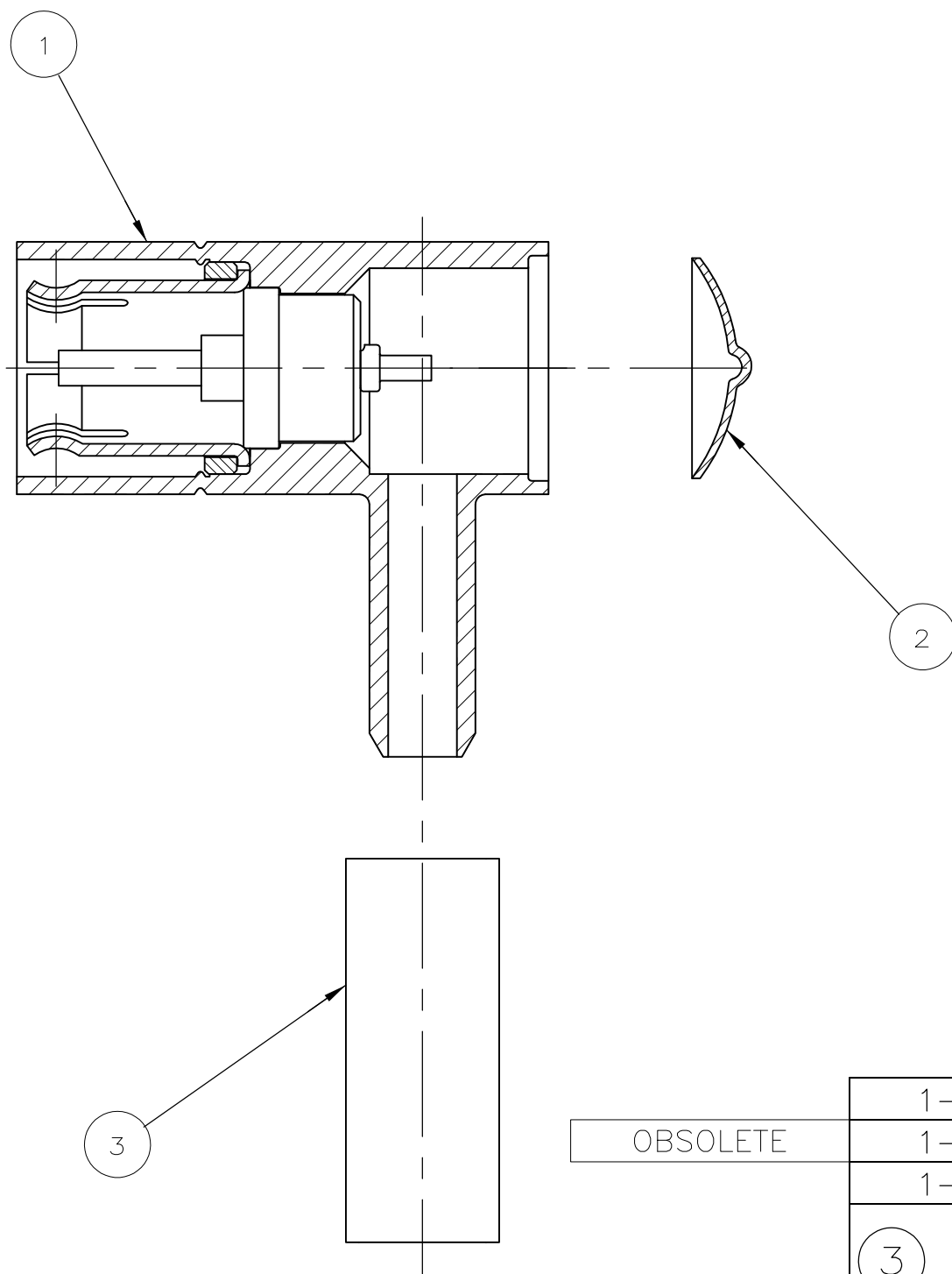


THIS DRAWING IS UNPUBLISHED. RELEASED FOR PUBLICATION

© COPYRIGHT BY TYCO ELECTRONICS CORPORATION. ALL RIGHTS RESERVED.

LOC	DIST	REVISIONS					
AJ	17	P	LTR	DESCRIPTION	DATE	DWN	APVD
			F2	REVISED PER ECO-09-001082	14JUL2009	DW	FB

1. PARTS PACKAGED UNASSEMBLED.



	1-413889-4	414013-3	415485-2	415484-3
OBSOLETE	1-413889-3	414013-3	415485-2	415484-2
	1-413889-3	414013-3	415485-1	415484-1
	③ FERRULE QTY=1	② END CAP QTY=1	① PLUG ASSY QTY=1	PART NUMBER

THIS DRAWING IS A CONTROLLED DOCUMENT.		DWN B. MOYER 18JUN96	Tyco Electronics Corporation Harrisburg, PA 17105-3608													
DIMENSIONS: INCHES		CHK G. MICHAEL 19JUN96	NAME PLUG, RIGHT ANGLE, 75 Ohm, MINI-SMB													
TOLERANCES UNLESS OTHERWISE SPECIFIED:		APVD G. MICHAEL 19JUN96	PRODUCT SPEC -													
<table border="0"> <tr><td>0 PLC</td><td>± -</td></tr> <tr><td>1 PLC</td><td>± -</td></tr> <tr><td>2 PLC</td><td>± -</td></tr> <tr><td>3 PLC</td><td>± -</td></tr> <tr><td>4 PLC</td><td>± -</td></tr> <tr><td>ANGLES</td><td>± -</td></tr> </table>		0 PLC	± -	1 PLC	± -	2 PLC	± -	3 PLC	± -	4 PLC	± -	ANGLES	± -	APPLICATION SPEC -	SIZE A3	CAGE CODE 00779
0 PLC	± -															
1 PLC	± -															
2 PLC	± -															
3 PLC	± -															
4 PLC	± -															
ANGLES	± -															
MATERIAL -	FINISH -	WEIGHT -	DRAWING NO C-415484	RESTRICTED TO -												
CUSTOMER DRAWING			SCALE 6:1	SHEET 1 OF 1												
			REV F2													