

4

3

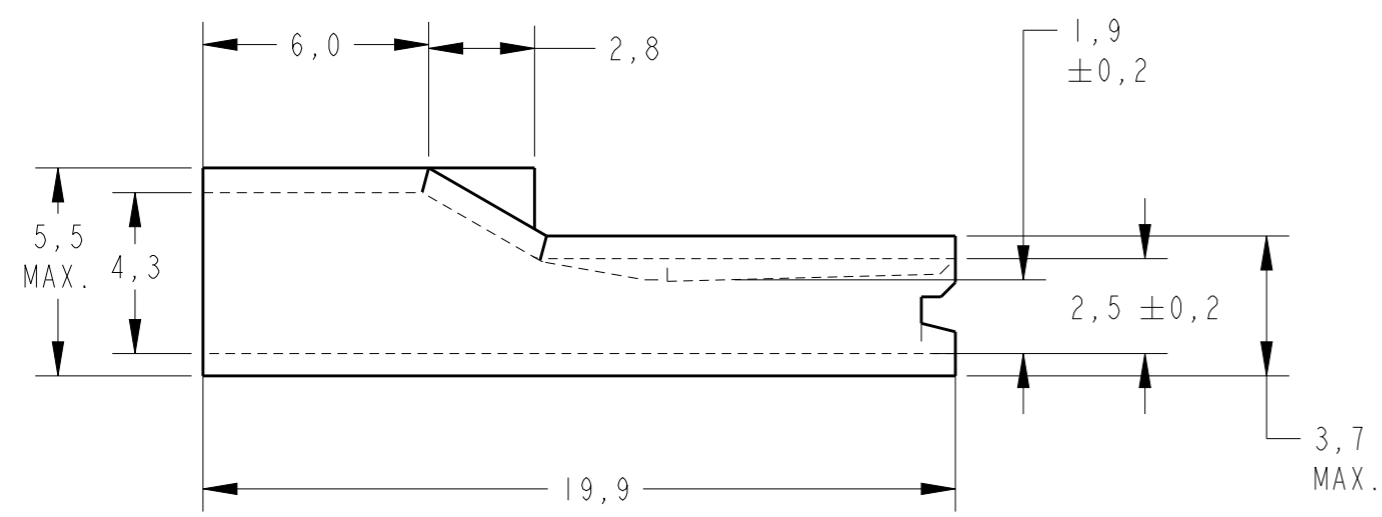
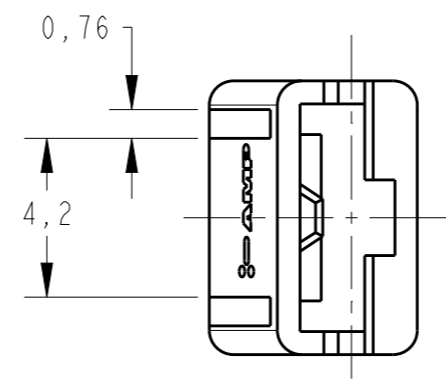
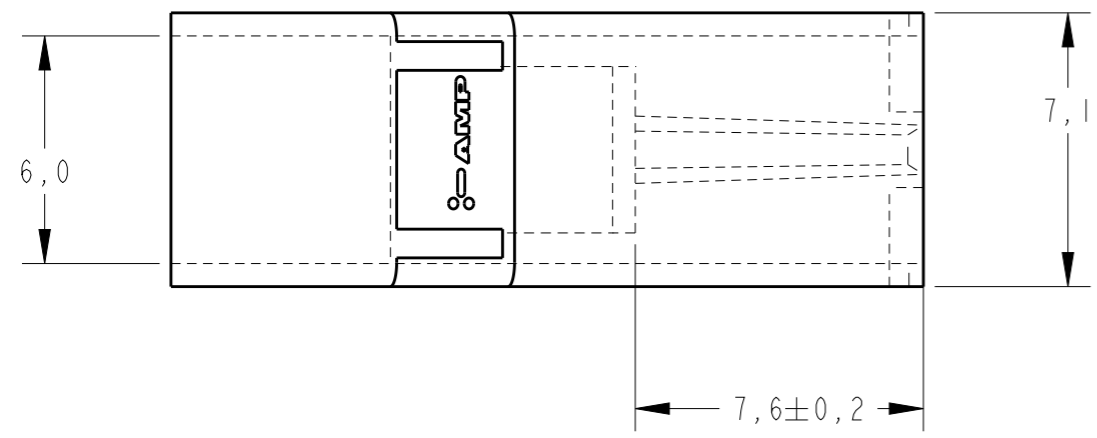
2

1

THIS DRAWING IS UNPUBLISHED. RELEASED FOR PUBLICATION 2003
 © COPYRIGHT 2003 BY TYCO ELECTRONICS CORPORATION. ALL RIGHTS RESERVED.

LOC	DIST	REVISIONS					
AP	-	P	LTR	DESCRIPTION	DATE	DWN	APVD
		P1		REV PER ECO-09-026444	27NOV09	KK	AEG
		P2		REV. BY ECO-10-006997	09APR10	HC	WLS
		P3		REVISED BY ECO 16-005803	28JUN2016	HC	WLS

CAD
Pro-E
DO NOT REVISE
EXCEPT BY CAD



△-MATÉRIA-PRIMA CONFORME ESPECIFICAÇÃO IEC 60335-1, GWT 750°C, SEM CHAMA.
 RAW MATERIAL ACC. TO SPEC. IEC 60335-1, GWT 750°C, WITHOUT FLAME.

	NATURAL	△	2-880488-2
	NATURAL	PA6.6V0 OR PA6.6V0+PA6V0	2-880488-1
	AMARELO/YELLOW	PA 6.6	1-880488-5
	VERMELHO/RED	PA 6.6	1-880488-4
OBSOLETE	AZUL/BLUE	PA 6.6	1-880488-3
	PRETO/BLACK	PA 6.6	1-880488-2
	NATURAL/NATURAL	PA 6.6	1-880488-1
OBSOLETE	VERMELHO/RED	POLIPROPILENO/POLYPROPYLENE	880488-4
	AZUL/BLUE	POLIPROPILENO/POLYPROPYLENE	880488-3
	NATURAL/NATURAL	POLIPROPILENO/POLYPROPYLENE	880488-2
	PRETO/BLACK	POLIPROPILENO/POLYPROPYLENE	880488-1
	FINISH	MATERIAL	PART NUMBER

THIS DRAWING IS A CONTROLLED DOCUMENT FOR TYCO ELECTRONICS CORPORATION IT IS SUBJECT TO CHANGE AND THE CONTROLLING ENGINEERING ORGANIZATION SHOULD BE CONTACTED FOR THE LATEST REVISION.		DWN	05SEP2003	TYCO ELECTRONICS do Brasil LTDA. São Paulo, Brasil									
DIMENSIONS: mm		CHK	05SEP2003										
		APVD	05SEP2003										
TOLERANCES UNLESS OTHERWISE SPECIFIED:		PRODUCT SPEC	N/A										
0 PLC ±- 1 PLC ±0,5 2 PLC ±- 3 PLC ±- 4 PLC ±- ANGLES ±-		APPLICATION SPEC	N/A	NAME	.187 S. FASTON RECEPTACLE HOUSING								
MATERIAL	SEE TABLE	FINISH	SEE TABLE	WEIGHT	-	SIZE	A3	CAGE CODE	00779	DRAWING NO	880488	RESTRICTED TO	-
CUSTOMER DRAWING				SCALE	5:1	SHEET	1	OF	1	REV	P3		