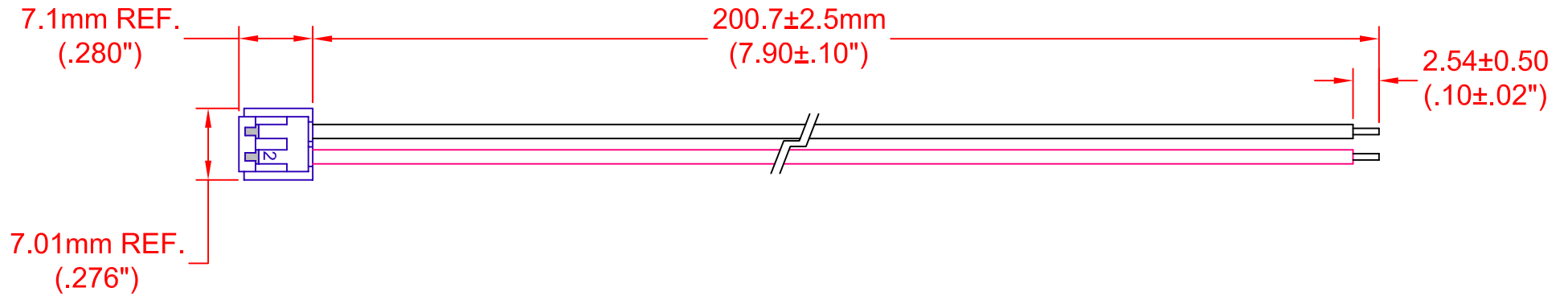


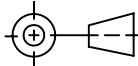
REV.	DESCRIPTION/ECO NO.	DATE
	RELEASE & CANCEL PL-0711-01	1/23/08
A	ADD REV. NOTE	1/31/08
B	CHNG. NOTE REF. NO.	8/6/08



PIN	WIRE TYPE	AWG	COLOR
1	UL 1007	24	BLACK
2	UL 1007	24	RED

JKL PART NO.: ZCH-200-I

USED WITH JKL ZRS-8480 LED LIGHT BARS

METRIC  THIRD ANGLE PROJECTION	DIMENSIONS ARE IN mm (INCHES)		JKL COMPONENTS CORPORATION TITLE INPUT CONNECTOR HARNESS							
	TOLERANCE UNLESS OTHERWISE SPECIFIED 1 PL +/- REF. 2 PL +/- REF. ANGLE +/- 0									
DRAWN BY L. WENGSTROM	APPV'D BY L.R.	DATE 8/6/08	SIZE A	FSCM NO. 55335	DRAWING NO. ZCH-200-I	SCALE NONE	RELEASED DATE 1/23/08	REVISION DATE 8/6/08	REV. NO. B	SHEET 1 OF 1
- CAD DRAWING - MANUAL REVISIONS NOT PERMITTED										