

# 4200 Series

# Tubeaxial

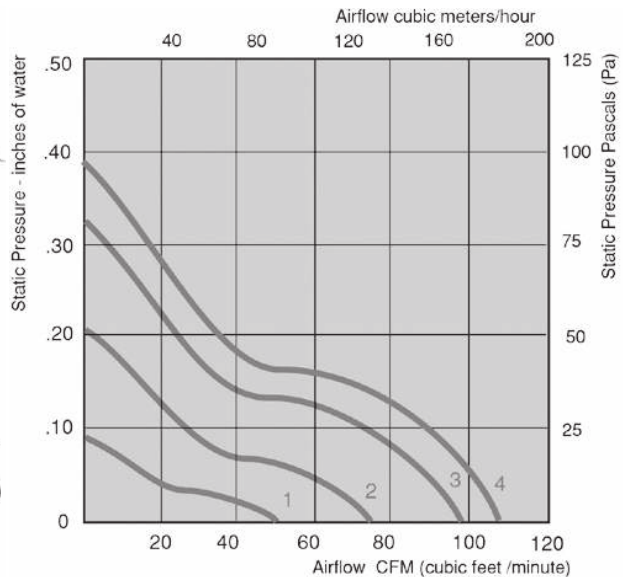
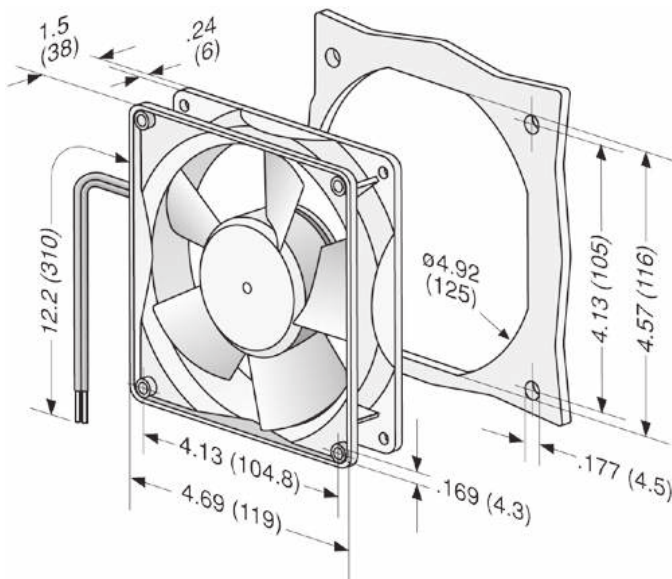
119x119x38mm



- DC fans with electronically commutated external rotor motor. Fully integrated commutation electronics.
- With electronic protection against reverse polarity, blocking and overloading by PTC-resistor; partially impedance protected.
- Mounting from either face using four 4.3 mm holes.

- Fan of fiberglass reinforced plastic. PBTP housing, PA impeller.
- Air exhaust over struts. Rotational direction CCW looking at rotor.
- Electrical connection via leads AWG 22, TR 64. Stripped and tinned ends.
- UL, CSA, VDE approvals on some models, please contact application engineering.

| Part Number | Curve | CFM @ 0 | VDC | Volt. Range | Power (W) | dBA | Max Amb. Temp C | Bearing Type | Features  | Wgt. (lbs) |
|-------------|-------|---------|-----|-------------|-----------|-----|-----------------|--------------|-----------|------------|
| 4212L       | 1     | 51      | 12  | 7 to 14.5   | 1.2       | 29  | 75              | Ball         | Leads     | 0.63       |
| 4212GM      | 2     | 75      | 12  | 7 to 14.5   | 2.2       | 38  | 75              | Sintec       | Leads     | 0.63       |
| 4212M       | 2     | 75      | 12  | 7 to 14.5   | 2.2       | 38  | 75              | Ball         | Leads     | 0.63       |
| 4292GM      | 2     | 75      | 12  | 7 to 14.5   | 2.2       | 38  | 75              | Sintec       | Terminals | 0.63       |
| 4212        | 3     | 97      | 12  | 7 to 14.5   | 4.3       | 45  | 75              | Ball         | Leads     | 0.63       |
| 4212/2      | 3     | 97      | 12  | 7 to 14.5   | 4.3       | 45  | 75              | Ball         | Leads     | 0.63       |
| 4212/12     | 3     | 97      | 12  | 7 to 14.5   | 4.3       | 45  | 75              | Ball         | Leads     | 0.63       |
| 4292        | 3     | 97      | 12  | 7 to 14.5   | 4.3       | 45  | 75              | Ball         | Terminals | 0.63       |
| 4212H       | 4     | 108     | 12  | 7 to 14.5   | 5.3       | 49  | 65              | Ball         | Leads     | 0.63       |
|             |       |         |     |             |           |     |                 |              |           |            |
| 4214L       | 3     | 51      | 24  | 12 to 28    | 1.2       | 29  | 75              | Ball         | Leads     | 0.63       |
| 4214        | 3     | 97      | 24  | 12 to 28    | 4.3       | 45  | 75              | Ball         | Leads     | 0.63       |
| 4214G       | 3     | 97      | 24  | 12 to 28    | 4.3       | 45  | 75              | Sintec       | Leads     | 0.63       |
| 4294        | 3     | 97      | 24  | 12 to 28    | 4.3       | 45  | 75              | Ball         | Terminals | 0.63       |



# 4200 Series cont.

# Tubeaxial

## 119x119x38mm



- DC fans with electronically commutated external rotor motor. Fully integrated commutation electronics.
- With electronic protection against reverse polarity, blocking and overloading by PTC-resistor; partially impedance protected.
- Mounting from either face using four 4.3 mm holes.

- Fan of fiberglass reinforced plastic. PBTP housing, PA impeller.
- Air exhaust over struts. Rotational direction CCW looking at rotor.
- Electrical connection via leads AWG 22, TR 64. Stripped and tinned ends.
- UL, CSA, VDE approvals on some models, please contact application engineering.

| Part Number | Curve | CFM @ 0 | VDC | Volt. Range | Power (W) | dBA | Max Amb. Temp C | Bearing Type | Features  | Wgt. (lbs) |
|-------------|-------|---------|-----|-------------|-----------|-----|-----------------|--------------|-----------|------------|
| 4214GH      | 3     | 108     | 24  | 12 to 28    | 5.3       | 49  | 75              | Sintec       | Leads     | 0.63       |
| 4214H       | 4     | 108     | 24  | 12 to 28    | 5.3       | 49  | 65              | Ball         | Leads     | 0.63       |
| 4294H       | 4     | 108     | 24  | 12 to 28    | 5.3       | 49  | 65              | Ball         | Terminals | 0.63       |
| 4218        | 3     | 97      | 48  | 36 to 56    | 4.3       | 45  | 75              | Ball         | Leads     | 0.63       |
| 4218/2      | 3     | 97      | 48  | 36 to 56    | 4.3       | 45  | 75              | Ball         | Leads     | 0.63       |
| 4298        | 3     | 97      | 48  | 36 to 56    | 4.3       | 45  | 75              | Ball         | Terminals | 0.63       |
| 4218H       | 4     | 108     | 48  | 36 to 56    | 5.9       | 49  | 65              | Ball         | Terminals | 0.63       |
| 4298H       | 4     | 108     | 48  | 36 to 56    | 5.6       | 49  | 65              | Ball         | Terminals | 0.63       |

