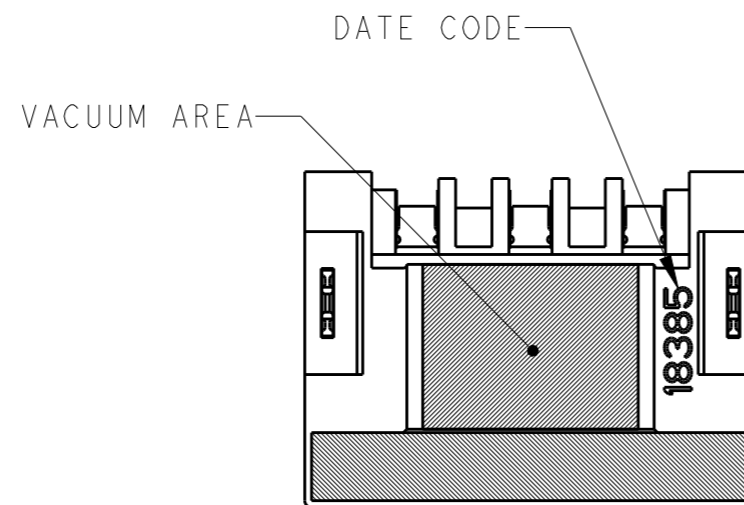


© 20 BY -

REVISIONS

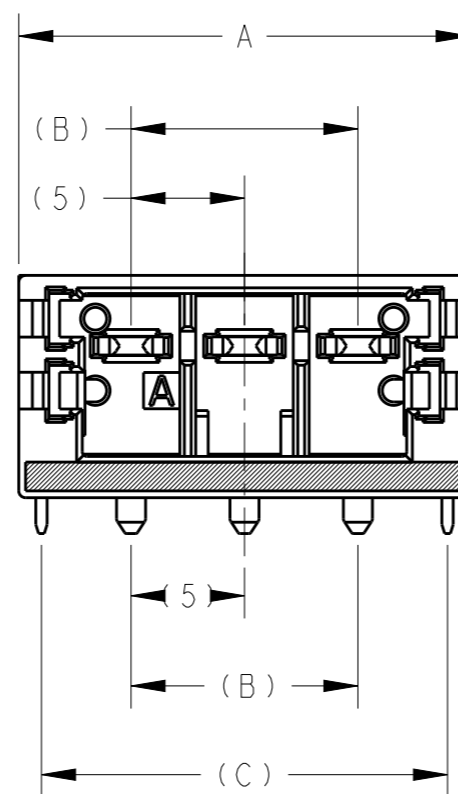
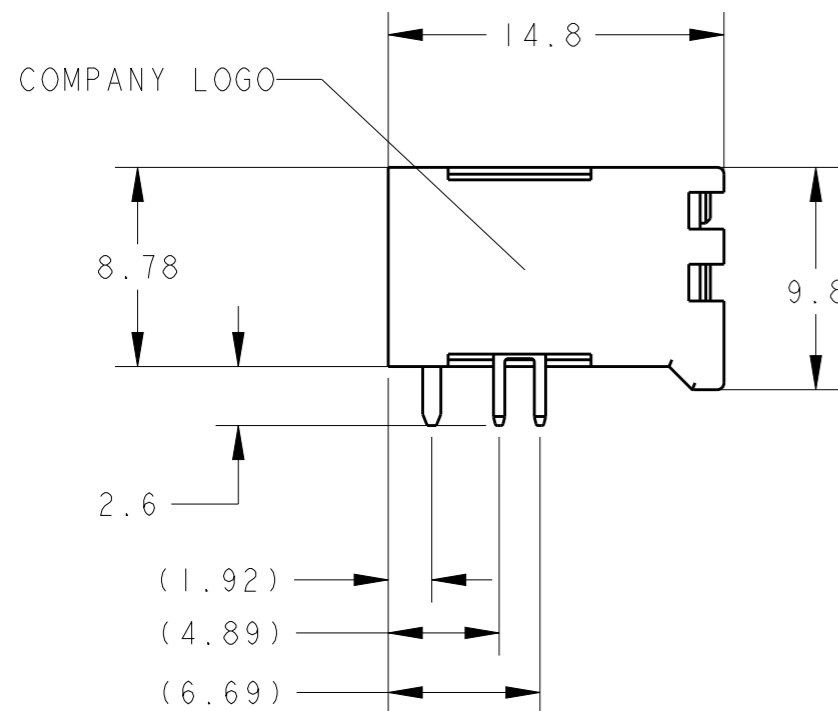
P	LTR	DESCRIPTION	DATE	DWN	APVD
	A	RELEASE PER ECR-20-003811	13MAR2020	T.S	E.1



1 MATERIAL AND FINISH
 HOUSING : LIQUID CRYSTAL PLASTIC, BLACK
 CONTACT : COPPER ALLOY, PLATING: CONTACT AREA SEE TABLE
 SOLDERING AREA TIN

2. INSTRUCTION SHEET : 408-78171

CONTACT AREA PLATING	DIM C	DIM B	DIM A	NO OF POSN	PART NUMBER
0.38um GOLD	22.9	15	24.9	4	2-2336490-4
0.38um GOLD	17.9	10	19.9	3	2-2336490-3
TIN	22.9	15	24.9	4	2336490-4
TIN	17.9	10	19.9	3	2336490-3



THIS DRAWING IS A CONTROLLED DOCUMENT.

DWN H. OSABE 15MAY2019

CHK T. SHIMOYASU 15MAY2019

APVD F. IKEMATSU 15MAY2019

PRODUCT SPEC 108-140223

APPLICATION SPEC -

WEIGHT -

CUSTOMER DRAWING

STE TE Connectivity

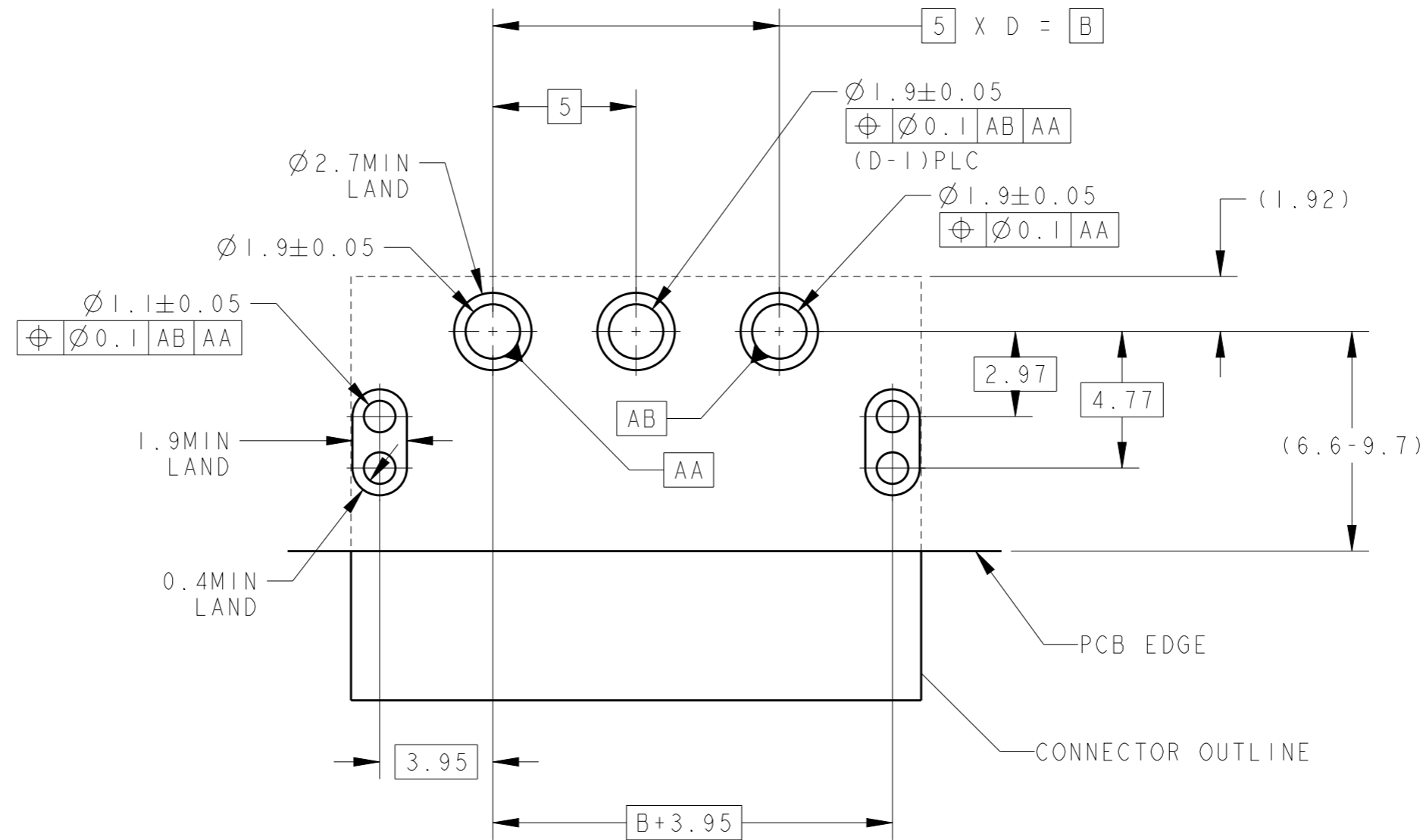
NAME: HEADER ASSEMBLY, 90 DEGREE TYPE D2970 PUSH-IN TYPE, DYNAMIC FIELD INSTALLABLE CONNECTOR

SIZE: A3 CAGE CODE: 00779 DRAWING NO: C-2336490 RESTRICTED TO: -


SCALE: 3:1 SHEET: 1 OF 2 REV: A

DIMENSIONS:	TOLERANCES UNLESS OTHERWISE SPECIFIED:
mm	
	0 PLC ±0.5
	1 PLC ±0.5
	2 PLC ±0.5
	3 PLC ±
	4 PLC ±
	ANGLES ±5°
MATERIAL	FINISH

P	LTR	DESCRIPTION	DATE	DWN	APVD
		SEE SHEET 1			



RECOMMENDED PCB LAYOUT

THIS DRAWING IS A CONTROLLED DOCUMENT.		DWN H. OSABE 15MAY2019	 TE Connectivity		
DIMENSIONS: mm		CHK T. SHIMOYASU 15MAY2019			
TOLERANCES UNLESS OTHERWISE SPECIFIED:		APVD F. IKEMATSU 15MAY2019	NAME HEADER ASSEMBLY, 90 DEGREE TYPE D2970 PUSH-IN TYPE, DYNAMIC FIELD INSTALLABLE CONNECTOR		
0 PLC ±0.5 1 PLC ±0.5 2 PLC ±0.5 3 PLC ± 4 PLC ± ANGLES ±5°		PRODUCT SPEC 108-140223	RESTRICTED TO		
MATERIAL		APPLICATION SPEC -	SIZE A3	CAGE CODE 00779	DRAWING NO C-2336490
FINISH		WEIGHT -	SCALE 3:1		
		CUSTOMER DRAWING	SHEET 2 OF 2		
			REV A		