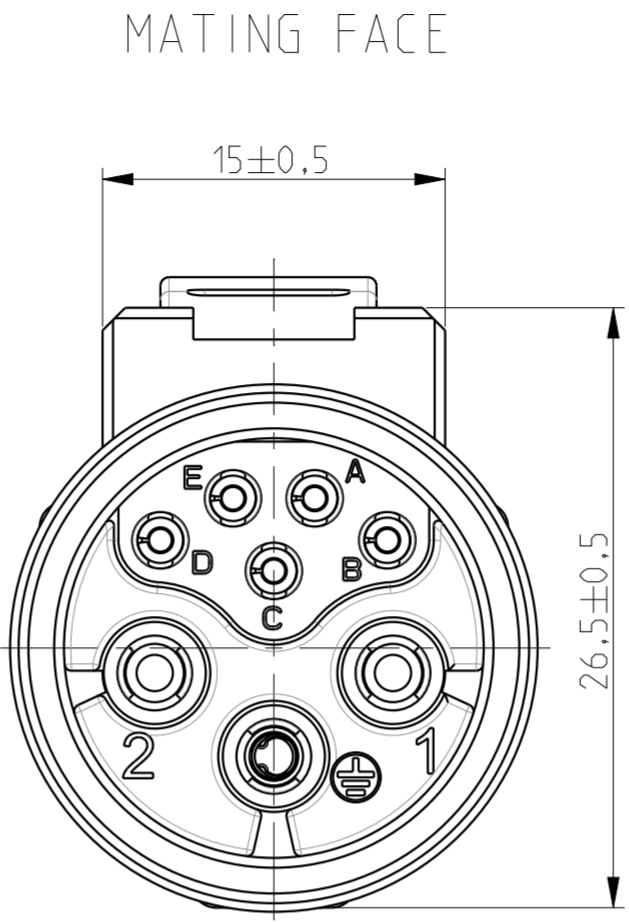
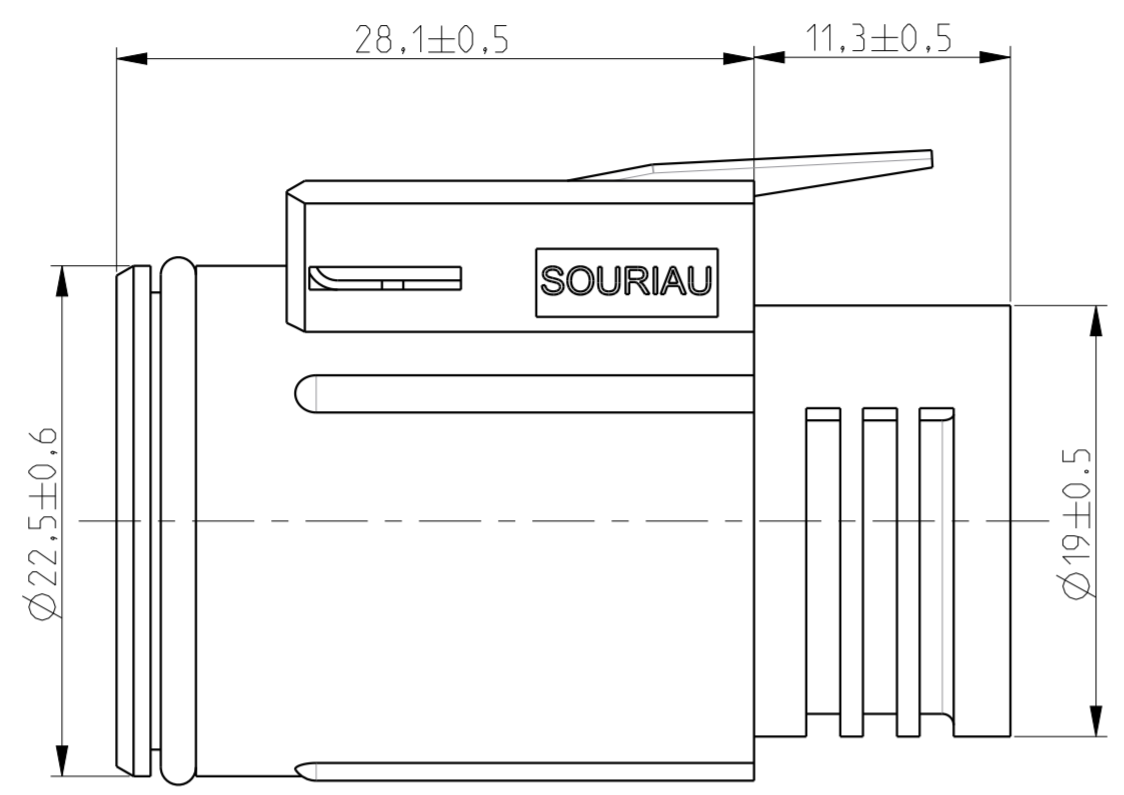
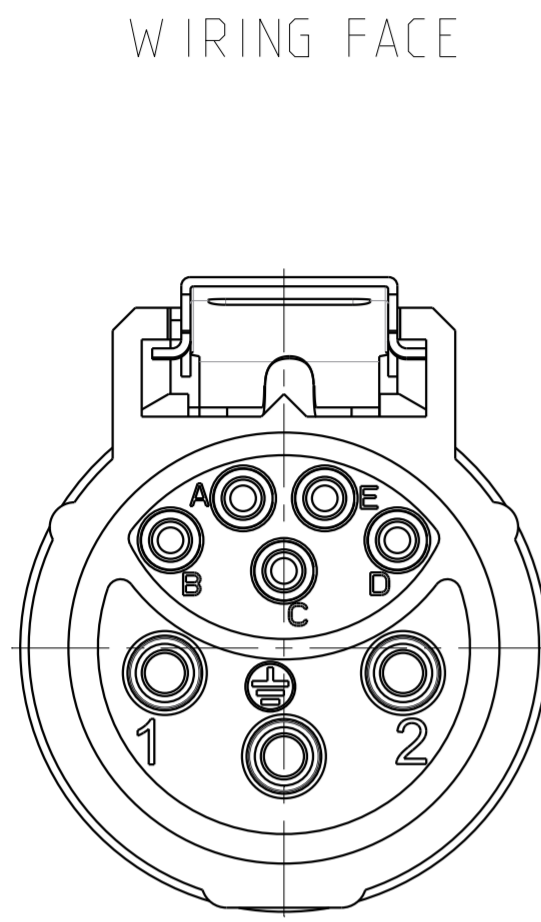


C.2: Valid

MASS ± 5% 12.14 g



MATERIALS

SHELL PA GF REINFORCED, BLACK COLOR
 COUPLING LATCH STAINLESS STEEL
 O'RING LUBRICATED RED SILICON

PERFORMANCES CHARACTERISTICS

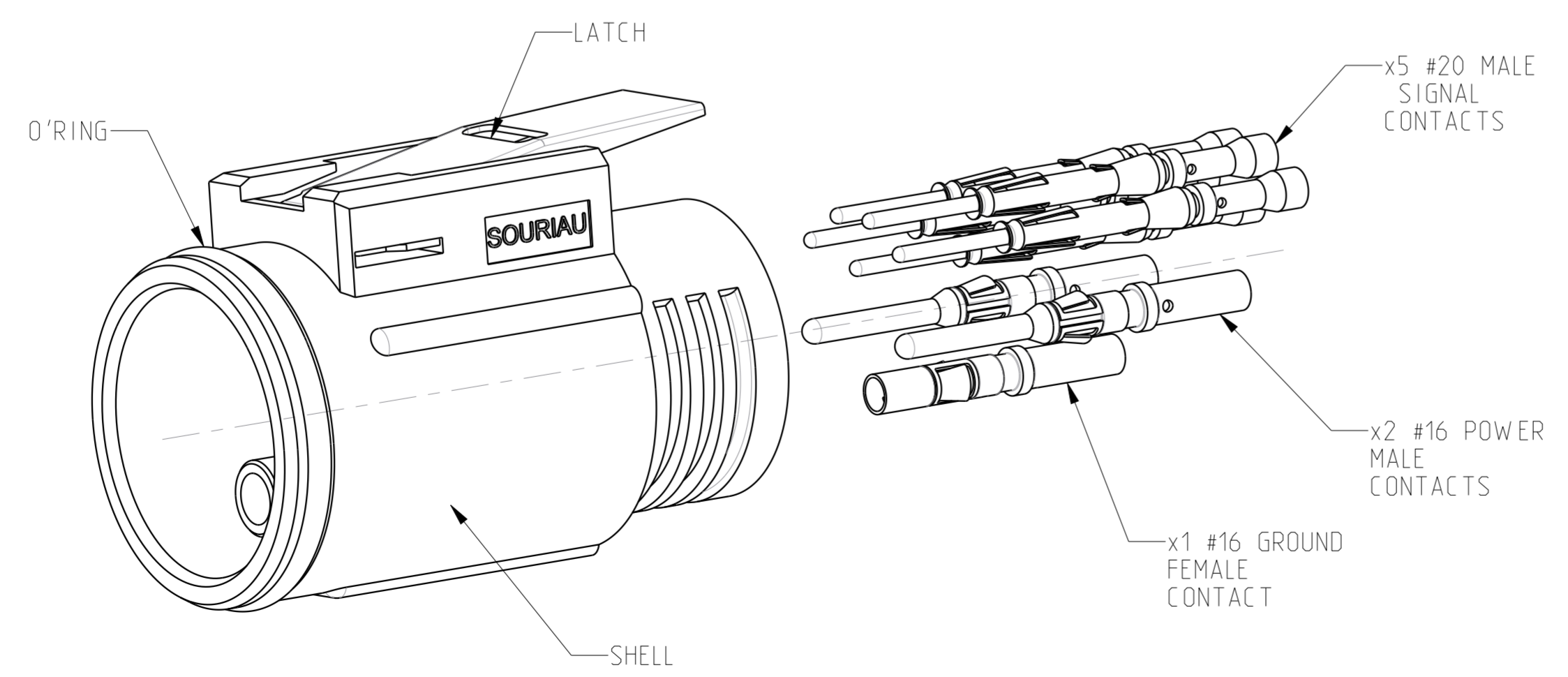
MECHANICAL		
TEMPERATURE CLASS	IEC61984/UL1977	-40°C TO 105°C
DURABILITY	IEC61984	500 MATE / UNMATE CYCLES
SEALING IN MATED CONDITIONS	IEC60529	IP68 1BAR DURING 1WEEK
	DIN40050	IP69K
SEALING IN UNMATED CONDITIONS	IEC60529	IP67 WITH CAPS
POLLUTION DEGREE	IEC61984	4
CORROSION SALT SPRAY		MIN 1000H
FLAMMABILITY	UL94	MATERIAL RATING: 5VA
OUTDOOR SUITABILITY (UV RESIST)	UL746C	MATERIAL RATING: (f1)
SCOOP PROOF		
ELECTRICAL		
TOUCH PROOF	IEC60529	IP2X
POWER AND GROUND LINES:		
NOMINAL CURRENT	UL1977	16A WITH AWG14 WIRE / 13A WITH AWG16 WIRE
NOMINAL CURRENT	IEC61984	16A WITH 2.5MM² WIRE / 13A WITH 1.5MM² WIRE AT 60°C
NOMINAL VOLTAGE	UL1977	600V
NOMINAL VOLTAGE	IEC61984	250VAC 4KV 4 FOR CLASS II
	IEC61984	500VAC 6KV 4 FOR CLASS I
SIGNAL CONTACT (a,b,c,d,e) LINES:		
NOMINAL VOLTAGE	IEC61984	48V AC
NOMINAL CURRENT	IEC61984	5A

ROHS COMPLIANT

NOTES

- COUNTERPART REFERENCE UTL RECEPTACLE OR FREE HANGING
- CONNECTORS ARE DELIVERED AS PRE-ASSEMBLED KIT
- CONNECTOR BLOCKS ACCEPTS TRIM TRIO CONTACTS #16 AND #20, R*M* OR S*M* TYPES
- CONTACTS TO BE ORDERED SEPARATELY.
- WARNING: PHASE AND SIGNAL CONTACTS ARE MALE VERSION AND GROUND CONTACT IS FEMALE VERSION
- UNIT IN MM

OVERVIEW WITH CONTACTS (For information only)
 (SEE NOTA 4)



ECHELLE 3/1

Country	Jurisdiction & Control List
FR	NOT LISTED

P/N : UTL6122G1W 5P

C	24/02/16	Tolerance range update		--
ISS	DATE	Latest modification - by:	RAGAINÉ M.	MOD N°
Designed by:		RAGAINÉ M	Date:05/03/14	CUSTOMER DRAWING
TITLE		MALEPLUG SIZE 12 LAYOUT 8 CONTACTS UTL CONNECTOR		
Scale	2/1	General linear Tolerances: ± 0.2	NPRDS / PROJECT UTL	
SOURIAU		WWW.SOURIAU.COM		This document is the property of SOURIAU. It must not be reproduced or communicated without permission.
FORMAT	A2	SOURIAU DRG N° UTL1-0066A-C01		SHEET 1 / 1