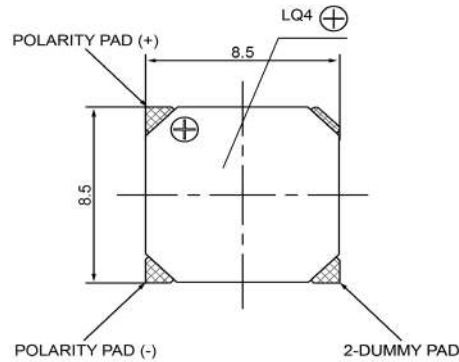
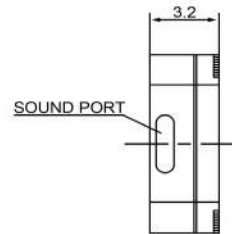


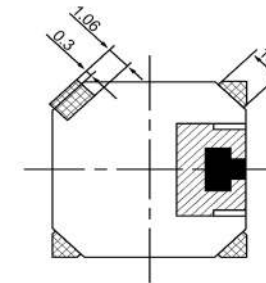
TOP VIEW




SIDE VIEW



BOTTOM VIEW



Specifications			Notes	Revision History					
Description	Value	Unit		Version	Description	Date	Approved		
Technology	Electro-Mechanical		1) All dimensions are in mm unless otherwise noted 2) All parts meet RoHS 	1	Released from Engineering	10/21/2013	J.S		
Resonant Frequency	4,000	(Hz)							
Rated Voltage	3.6	(V)							
SPL @ 10cm	88	(dBA)							
Coil Resistance	16	(ohm)							
Mount Type	Surface Mount								
Voltage Range	2.5 ~ 4.5	(V)							
Max Rated Current	100	(mA)							
Housing Material	LCP								
Operating Temperature	-30 ~ +80	°C							
Storage Temperature	-40 ~ +85	°C							
Weight	0.5	(g)							
				Electro-Mechanical Transducer		TE084003-1			
				Drawn by A.B.	Date 10/21/2013	Checked by C.E.	Date 10/21/2013	Approved by J.S	Date 10/21/2013