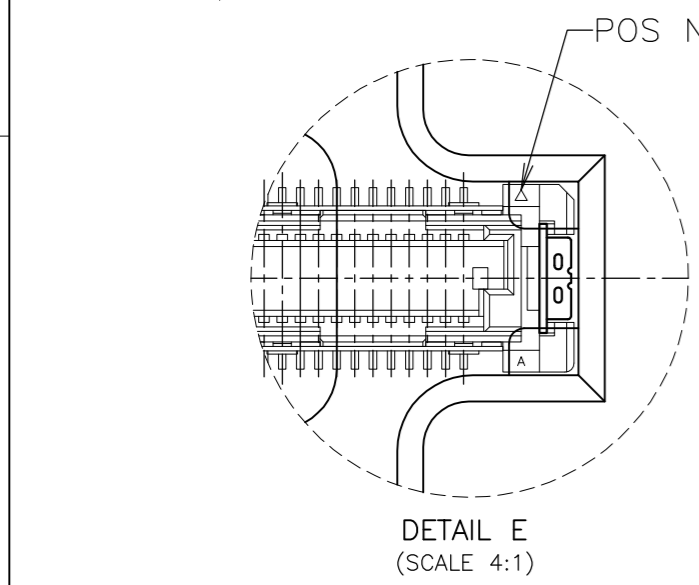
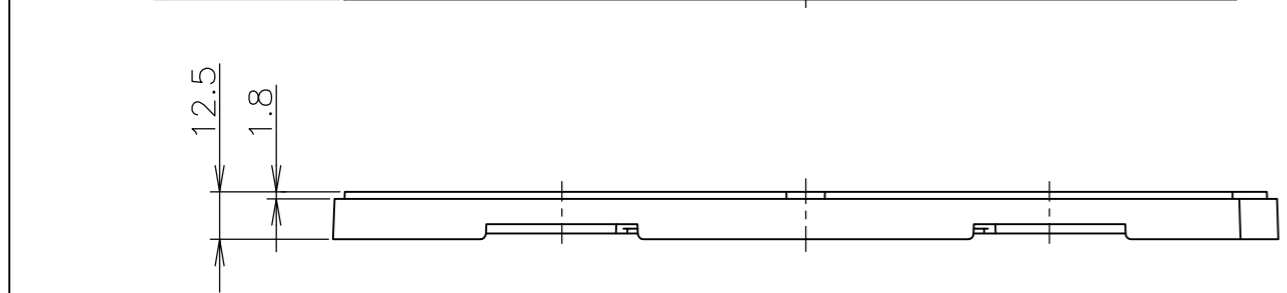
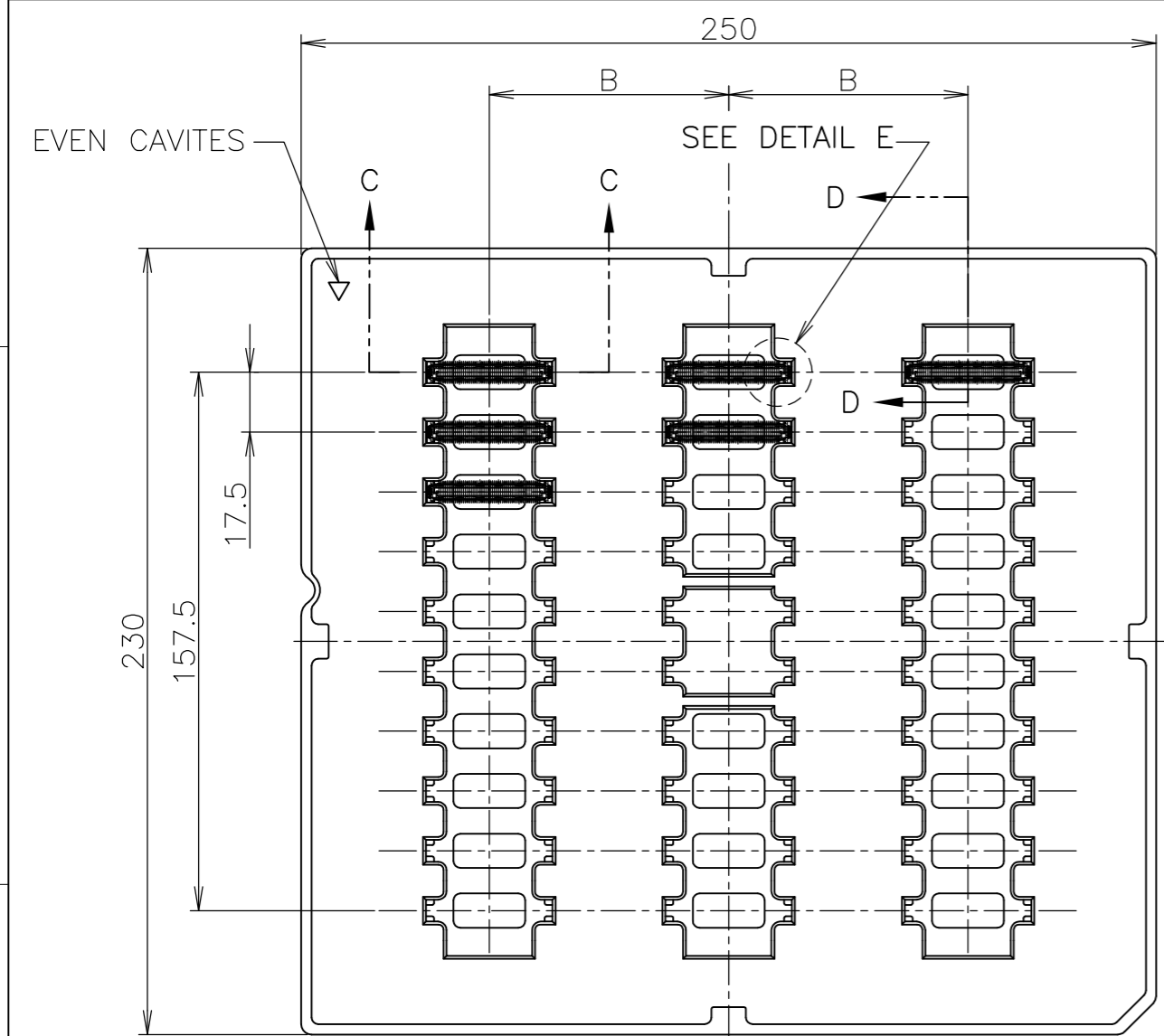


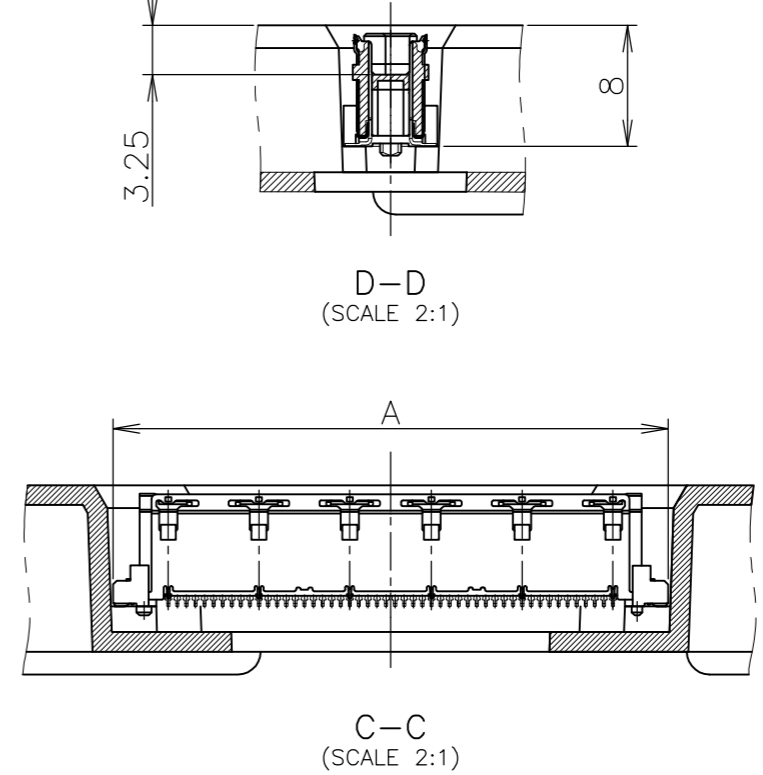
THIS DRAWING IS UNPUBLISHED. RELEASED FOR PUBLICATION , NOV 1995
 © COPYRIGHT 1995 By - ALL RIGHTS RESERVED.



GENERAL TOLERANCE
 一般公差
 10 ≥ ±0.2
 30 ≥ >10: ±0.25
 100 ≥ >30: ±0.3
 ANGLES: ±3°

THIS DRAWING IS A CONTROLLED DOCUMENT.
 DIMENSIONS: 单位: 耗 mm
 TOLERANCES UNLESS OTHERWISE SPECIFIED. 一般公差
 0 PLC ± -
 1 PLC ± -
 2 PLC ± -
 3 PLC ± -
 4 PLC ± -
 ANGLES ± -
 FINISH 仕上
 MATERIAL 材料

LOC	DIST	REVISIONS 変更			
P	LTR	DESCRIPTION	DATE	DWN	APVD
J		B	REVISED ECR-13-007649	07MAY2013	S.T S.Y
		C	REVISED PER ECO-17-002393	27MAY17	B.J S.Y
		C1	REVISED PER ECO-17-015469	13OCT17	R.L S.Y



NON-SEALANT	AVAILABLE	3	30	70	48.7	140	8-912063-3	6-5316316-0
↑	NOT AVAILABLE	↑	↑	↑	54.7	160	4-912068-2	1-5316316-1
Ⓢ	AVAILABLE				48.7	140	8-912063-3	1- -0
↓	NOT AVAILABLE				42.7	120	4-912068-1	-9
↑					36.7	100	4- -0	-8
↓		3	30	70	33.7	90	3- -9	-7
↑		5	50	43	30.7	80	3- -8	-6
↓		↑	↑	↑	27.7	70	3- -7	-5
↑					24.7	60	3- -6	-4
↓					21.7	50	3- -5	-3
↑					18.7	40	3- -4	-2
↓	NOT AVAILABLE	5	50	43	15.7	30	3-912068-3	5316316-1
SEALANT	TOOLING STATUS	ROW	QTY	B	A	POS.	TRAY P/N	PART NO.

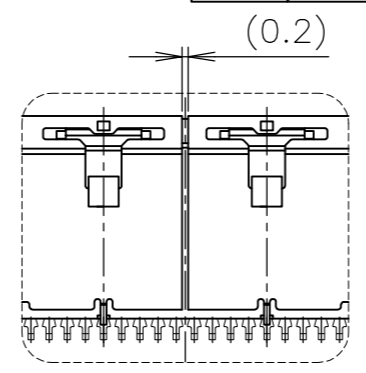
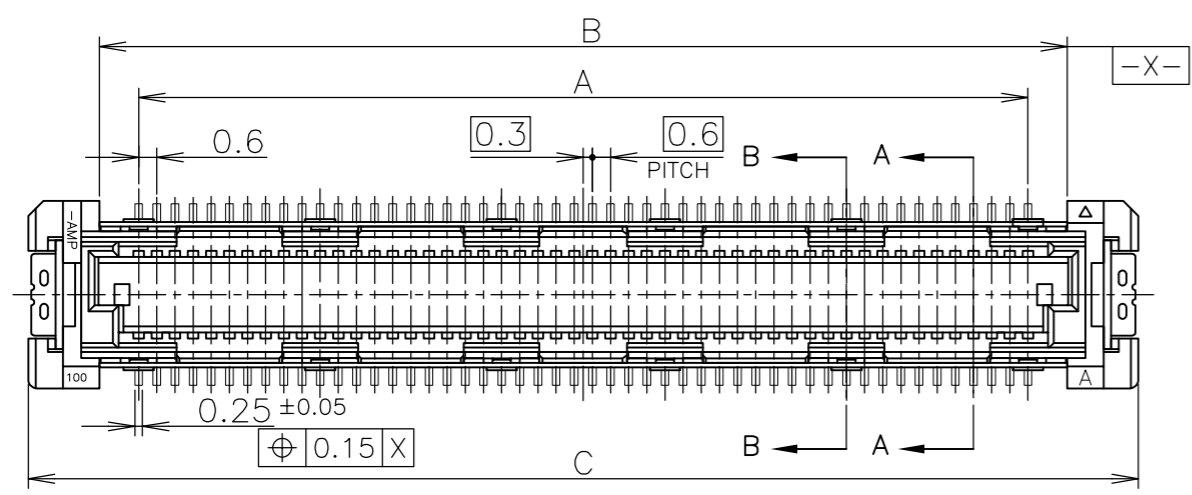
STE TE Connectivity

HARD TRAY ASSY
 FH 0.6BTB CONNECTOR
 PLUG 8H W/G-PLATE

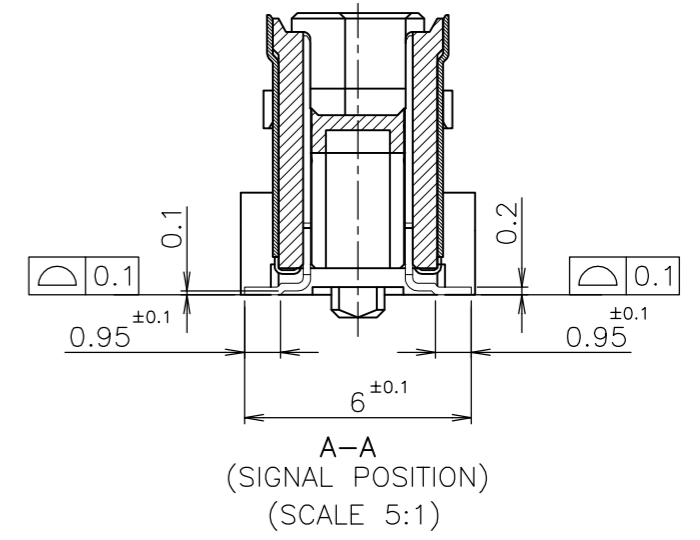
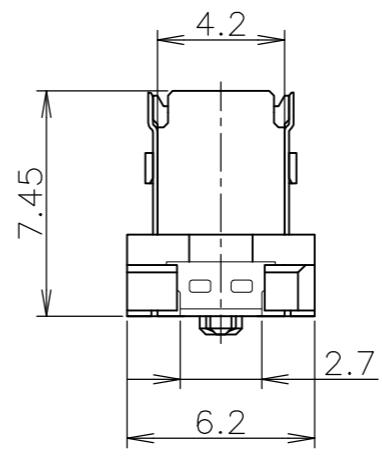
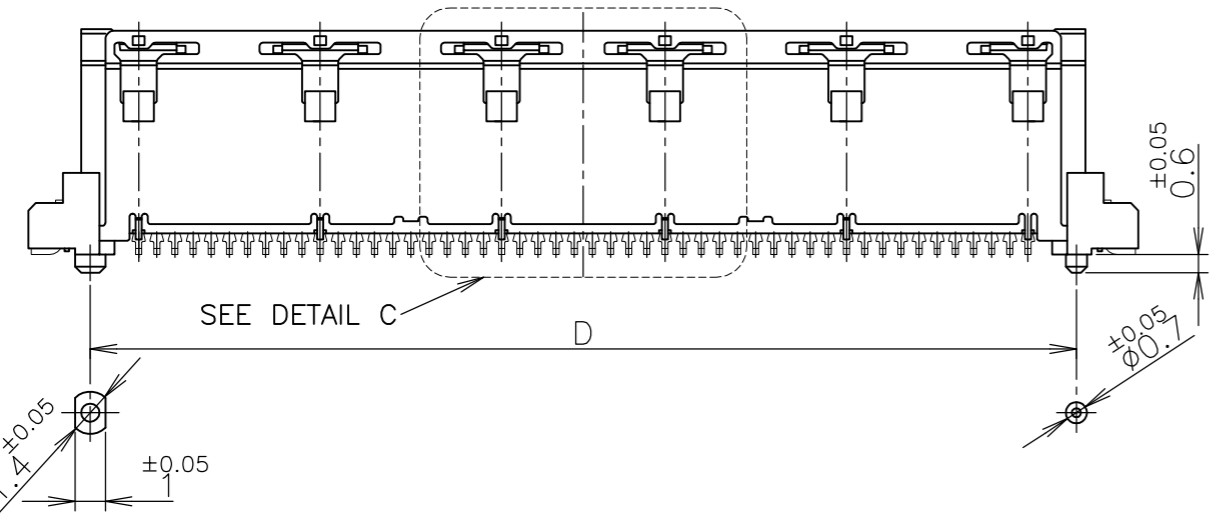
DWN HAWKING HE 20DEC04
 CHK STEVEN YAO 20DEC04
 APVD I.ENOMOTO 20DEC04
 NAME 名称
 PRODUCT SPEC 製品規格
 108-60047
 APPLICATION SPEC 取付適用規格
 114-5255
 WEIGHT
 SIZE A3 CAGE CODE 00779 DRAWING NO 番号 C-5316316 RESTRICTED TO
 CUSTOMER DRAWING SCALE 尺度 1:2 SHEET 1 OF 3 REV C1

THIS DRAWING IS UNPUBLISHED. RELEASED FOR PUBLICATION NOV 1995
 © COPYRIGHT 1995 By - ALL RIGHTS RESERVED.

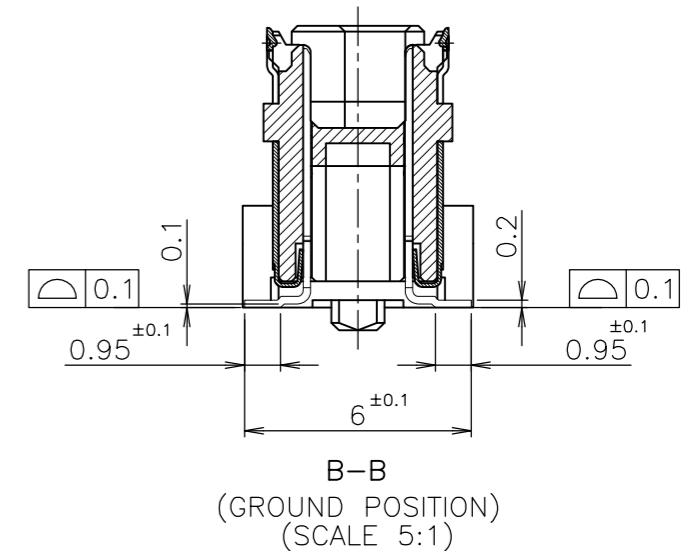
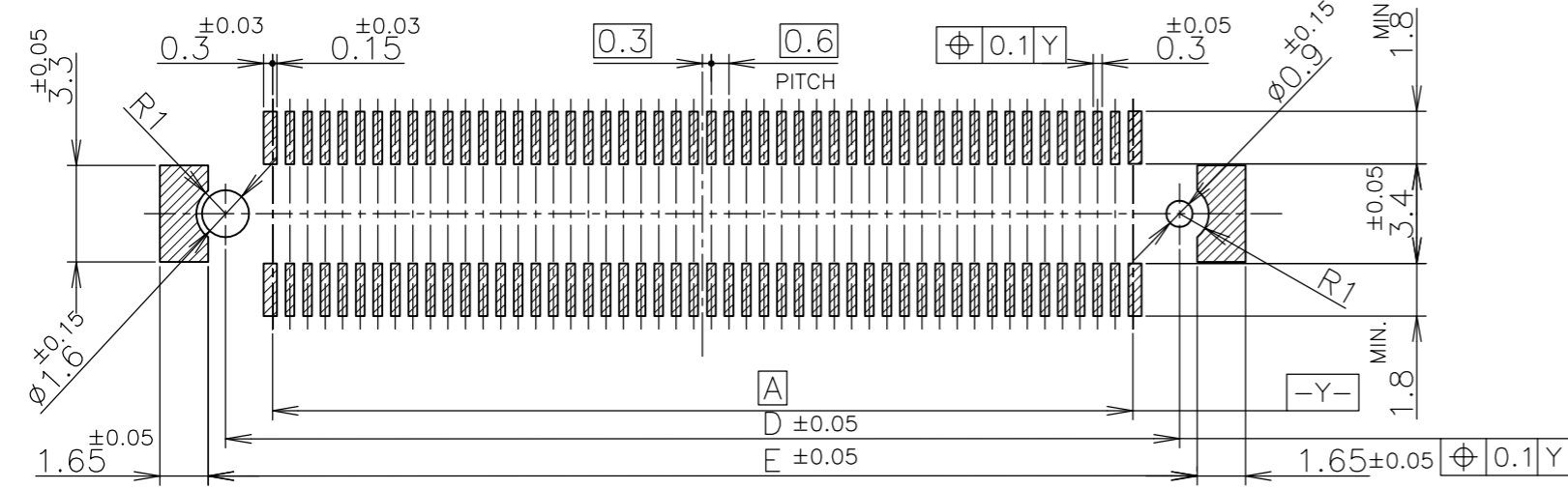
LOC	DIST	REVISIONS		
J		変更	DATE	DWN
P	LTR	DESCRIPTION		APVD
	-	SEE SHEET 1	-	-



DETAIL C
180P~240P ONLY



A-A
(SIGNAL POSITION)
(SCALE 5:1)



B-B
(GROUND POSITION)
(SCALE 5:1)

AVAILABLE	51.8	50.6	54.7	50	47.4	160
AVAILABLE	45.8	44.6	48.7	44	41.4	140
NOT AVAILABLE	39.8	38.6	42.7	38	35.4	120
	33.8	32.6	36.7	32	29.4	100
	30.8	29.6	33.7	29	26.4	90
	27.8	26.6	30.7	26	23.4	80
	24.8	23.6	27.7	23	20.4	70
	21.8	20.6	24.7	20	17.4	60
	19.8	17.6	21.7	17	14.4	50
	15.8	14.6	18.7	14	11.4	40
NOT AVAILABLE	12.8	11.6	15.7	11	8.4	30
TOOLING STATUS	E	D	C	B	A	POS

REFERENCE P.C.BOARD LAYOUT

GENERAL TOLERANCE
一般公差
 10 ≥ ±0.2
 30 ≥ >10: ±0.25
 100 ≥ >30: ±0.3
 ANGLES: ±3°

THIS DRAWING IS A CONTROLLED DOCUMENT.

DIMENSIONS: 単位: 耗 mm

TOLERANCES UNLESS OTHERWISE SPECIFIED: 一般公差

0 PLC ± -
 1 PLC ± -
 2 PLC ± -
 3 PLC ± -
 4 PLC ± -
 ANGLES ± -

MATERIAL 材料

FINISH 仕上

DWN	
CHK	
APVD	
PRODUCT SPEC	製品規格
APPLICATION SPEC	取付適用規格
WEIGHT	

STE TE Connectivity

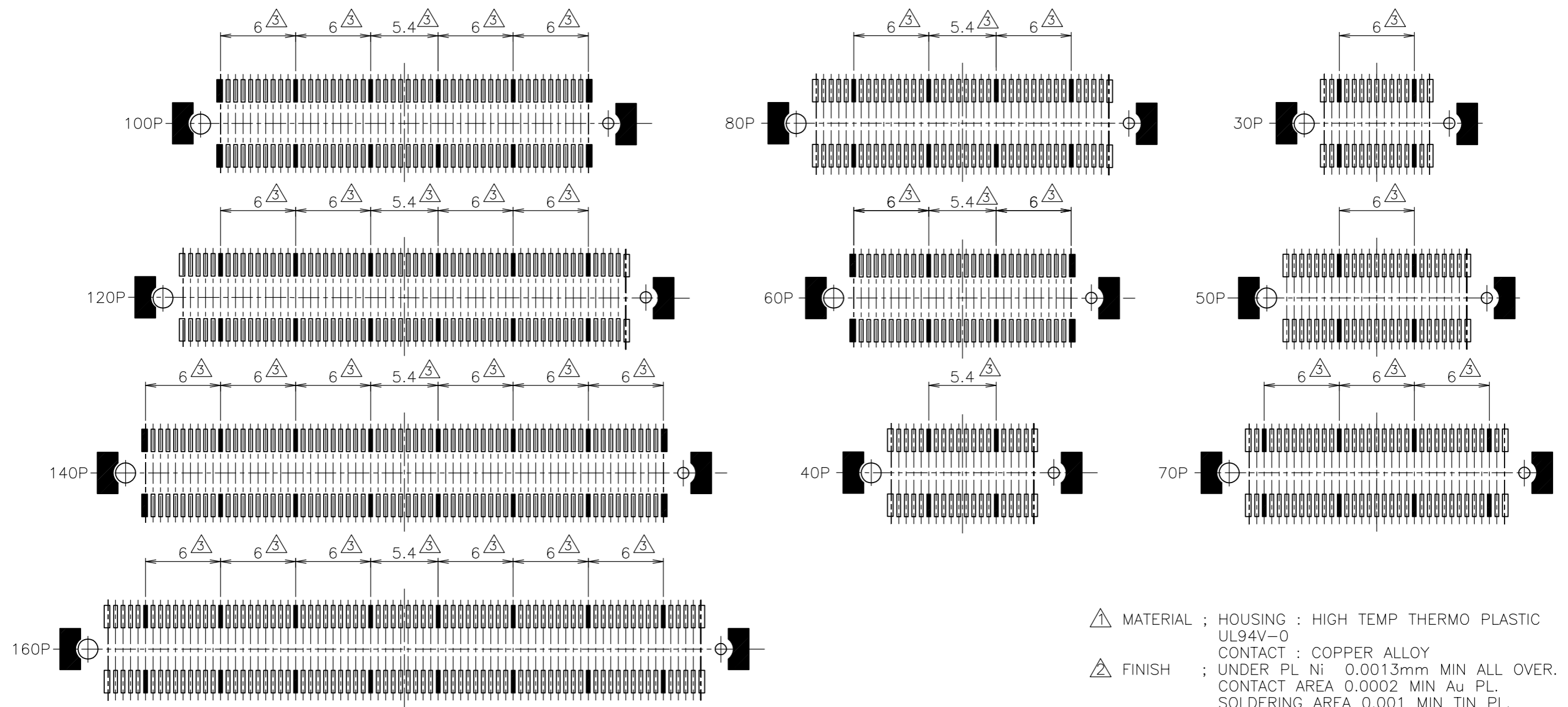
NAME 名称
HARD TRAY ASSY
FH 0.6BTB CONNECTOR
PLUG 8H W/G-PLATE

SIZE A3 CAGE CODE 00779 DRAWING NO. 番号 G-5316316 RESTRICTED TO

CUSTOMER DRAWING SCALE 尺度 4:1 SHEET 2 OF 3 REV C1

THIS DRAWING IS UNPUBLISHED. RELEASED FOR PUBLICATION , NOV 1995
 © COPYRIGHT 1995 By - ALL RIGHTS RESERVED.

LOC	DIST	REVISIONS		
J		P	LTR	DESCRIPTION
		-		SEE SHEET 1
			DATE	DWN
			-	-
			APVD	-



△ MATERIAL ; HOUSING : HIGH TEMP THERMO PLASTIC UL94V-0
 CONTACT : COPPER ALLOY
 △ FINISH ; UNDER PL Ni 0.0013mm MIN ALL OVER.
 CONTACT AREA 0.0002 MIN Au PL.
 SOLDERING AREA 0.001 MIN TIN PL.
 △ THIS POSITION IS GROUND CIRCUIT.

GENERAL TOLERANCE
 一般公差
 10 ≥ : ±0.2
 30 ≥ >10 : ±0.25
 100 ≥ >30 : ±0.3
 ANGLES : ±3°

THIS DRAWING IS A CONTROLLED DOCUMENT.		DWN	TE Connectivity		
DIMENSIONS: 单位: 耗 mm		CHK			
TOLERANCES UNLESS OTHERWISE SPECIFIED. 一般公差		APVD	NAME 名称		
0 PLC ± - 1 PLC ± - 2 PLC ± - 3 PLC ± - 4 PLC ± - ANGLES ± -		PRODUCT SPEC 製品規格	HARD TRAY ASSY		
MATERIAL 材料		APPLICATION SPEC 取付適用規格	FH 0.6BTB CONNECTOR		
FINISH 仕上		WEIGHT	SIZE	CAGE CODE	DRAWING NO 番号
△ 1		CUSTOMER DRAWING		A3	00779
△ 2		SCALE 尺度 3:1		G-5316316	RESTRICTED TO
		SHEET 3 OF 3		REV C1	