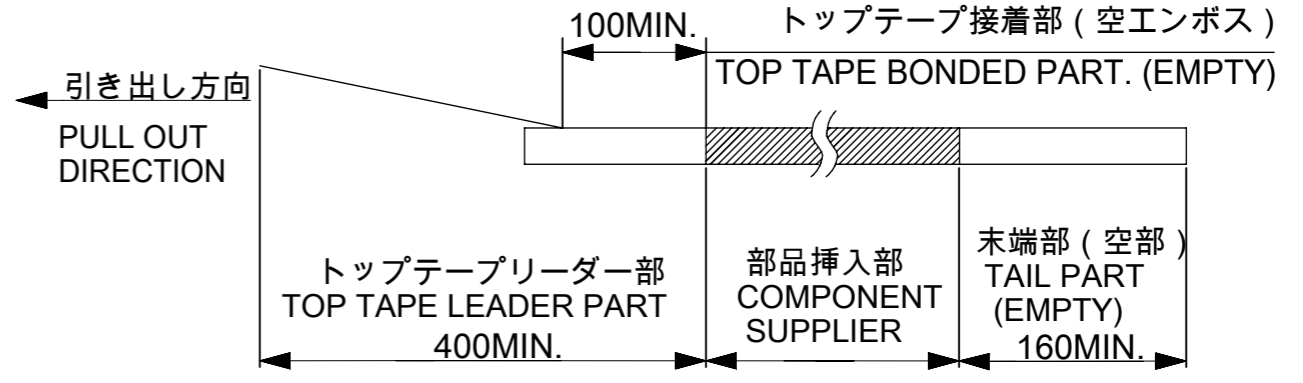
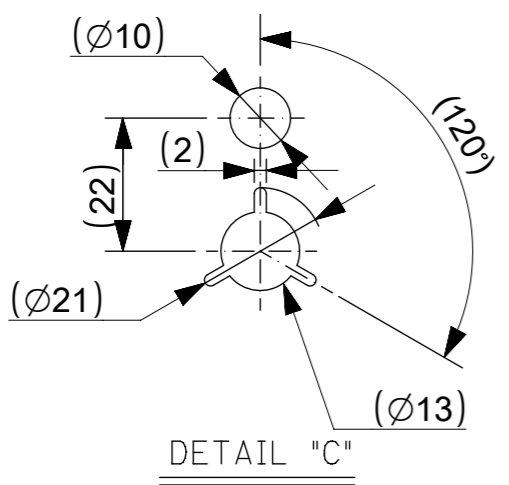


注記 NOTES

1. 製品詳細寸法については図面5047541000を参照下さい。  
REFER TO THE 5047541000 ABOUT DIMENSIONS IN DETAIL.
2. 梱包数量：5000個/リール  
NUMBER OF CONNECTORS：5000 PCS/REEL
3. リードテープ長さ  
LEAD TAPE LENGTH

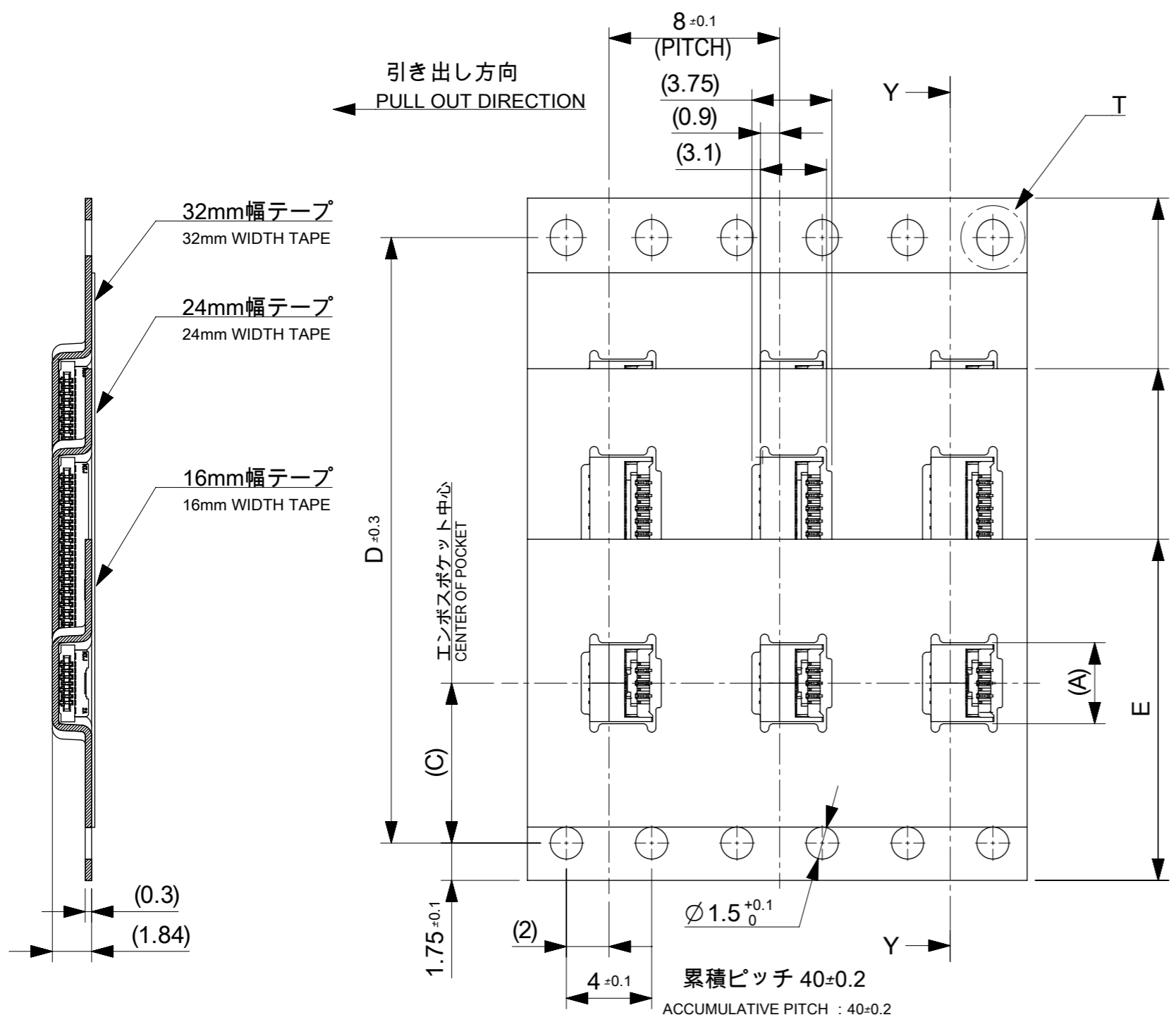


4. 材料 MATERIAL  
キャリアテープ(CARRIER TAPE)：ポリスチレン(POLYSTYRENE)  
トップテープ(TOP TAPE)：PET, PE, PEF  
リール(REEL)：ポリスチレン(PS)リサイクル材含む  
POLYSTYRENE(PS)RECYCLE MATERIAL CONTAINED
5. ELV及びRoHS適合品  
ELV AND RoHS COMPLIANT



THIS DRAWING CONTAINS INFORMATION THAT IS PROPRIETARY TO MOLEX ELECTRONIC TECHNOLOGIES, LLC AND SHOULD NOT BE USED WITHOUT WRITTEN PERMISSION

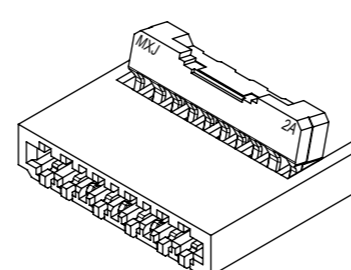
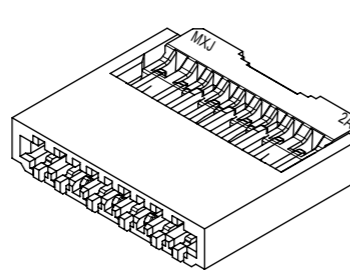
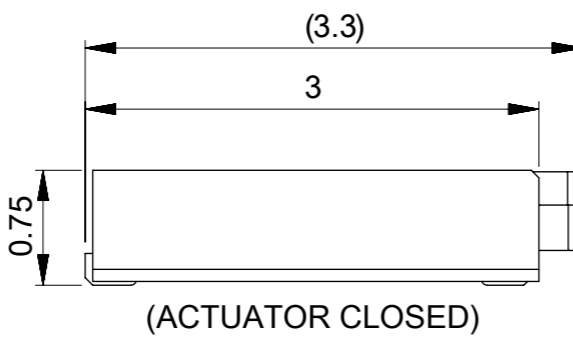
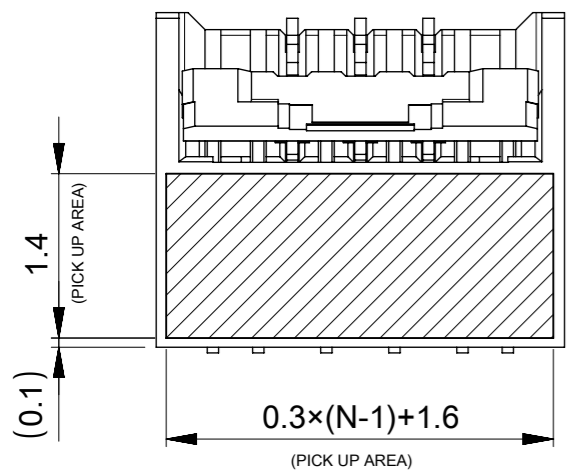
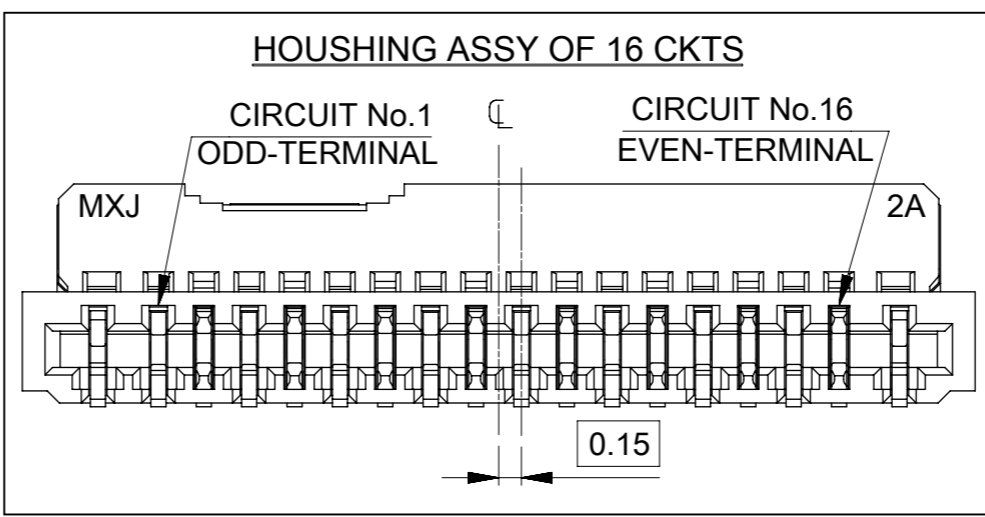
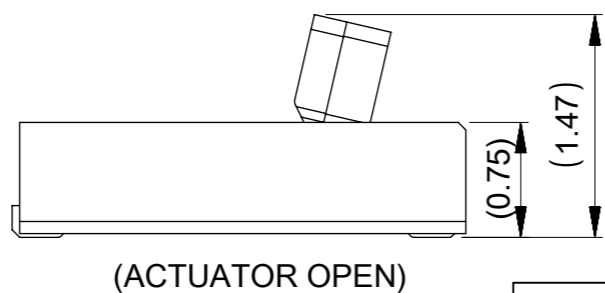
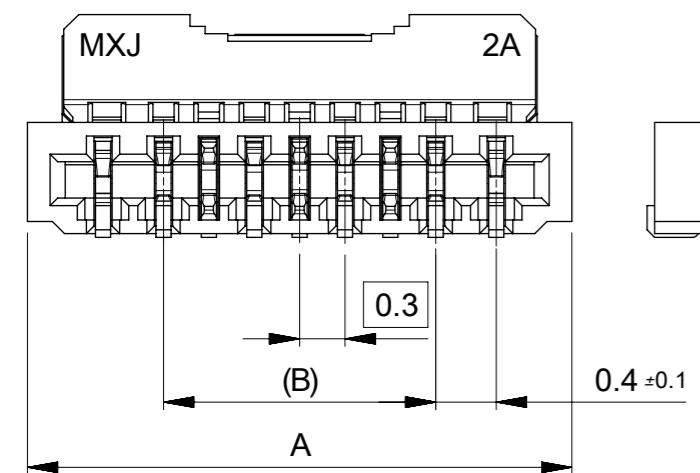
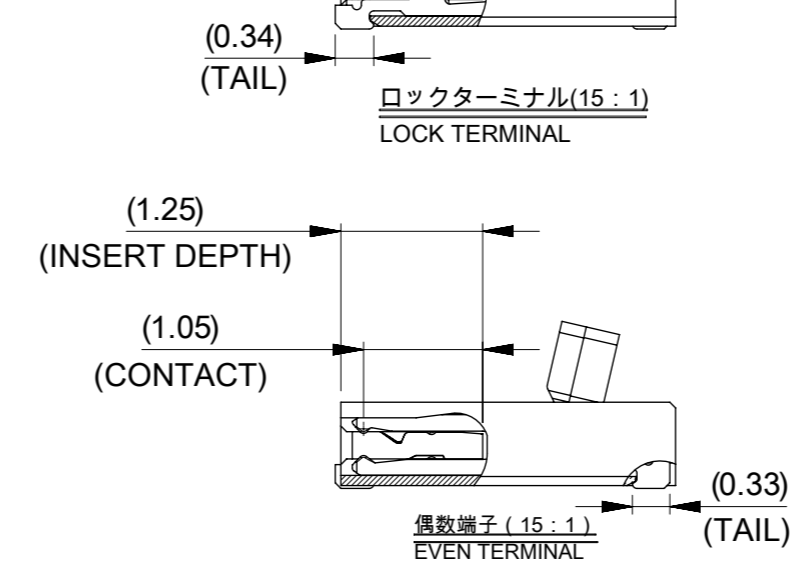
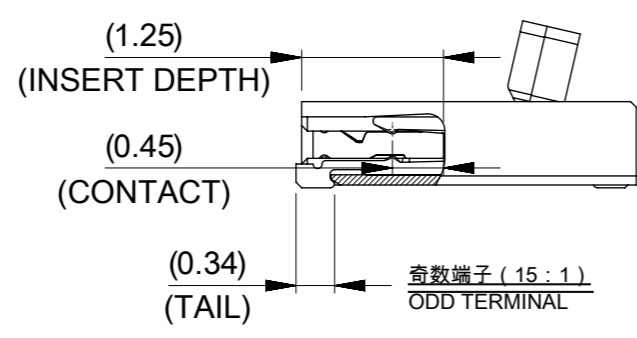
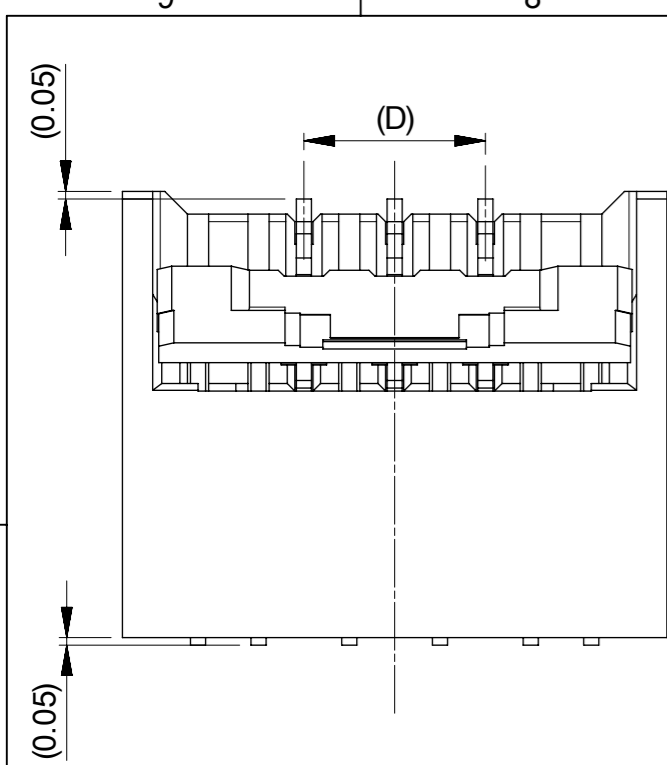
REVISED	EC NO: 106328	2016/07/05	GENERAL TOLERANCES (UNLESS SPECIFIED)	DIMENSION UNITS	SCALE			
	DRWN: YCHEN128	2016/07/07	ANGULAR TOL ± 1.0 °	MM	≠0.1≠			
	CHK'D: YKOBAYASHI02	2016/07/07	4 PLACES ± 0.03	DRWN BY	DATE			
	APPR: TKUSUHARA01		3 PLACES ± 0.03	AYOSHII01	2016/03/18			
			2 PLACES ± 0.05	CHK'D BY	DATE			
		1 PLACE ± 0.1	YKOBAYASHI02	2016/03/31	0.3 FPC CONN. B/F LA75 SERIES TAPING PKG  PRODUCT CUSTOMER DRAWING			
		0 PLACES ± 0.2	APPR BY	DATE				
		DRAFT WHERE APPLICABLE MUST REMAIN WITHIN DIMENSIONS	TKUSUHARA01	2016/03/31				
			DRAWING SIZE	THIRD ANGLE PROJECTION	SERIES	MATERIAL NUMBER	CUSTOMER	
			A3		504754	SEE CHART		
					DOCUMENT NUMBER	DOC TYPE	DOC PART	SHEET NUMBER
					5047540000	PSD	000	1 OF 2



32±0.3	28.4	14.2	33.4	20.0	504754-6100	61			
				17.0	504754-5100	51			
24±0.3	--	11.5	25.4	14.0	504754-4100	41			
				13.4	504754-3900	39			
				12.8	504754-3700	37			
				12.2	504754-3500	35			
				11.6	504754-3300	33			
				11.0	504754-3100	31			
				9.2	504754-2500	25			
				8.0	504754-2100	21			
16±0.3	--	7.5	17.4	6.5	504754-1600	16			
				6.2	504754-1500	15			
				4.9	504754-1100	11			
				4.3	504754-0900	9			
				3.7	504754-0700	7			
Eキャリアテープ幅 EMBOSSED TAPE WIDTH				D	C	B	A	オーダー番号 ORDER NO.	極数 CIRCUITS

THIS DRAWING CONTAINS INFORMATION THAT IS PROPRIETARY TO MOLEX ELECTRONIC TECHNOLOGIES, LLC AND SHOULD NOT BE USED WITHOUT WRITTEN PERMISSION

EC NO: 106328 DRWN: YCHEN128 CHK'D: YKOBAYASHI02 APPR: TKUSUHARA01	2016/07/05	2016/07/07	2016/07/07	GENERAL TOLERANCES (UNLESS SPECIFIED) ANGULAR TOL ± 1.0 ° 4 PLACES ± 0.03 3 PLACES ± 0.03 2 PLACES ± 0.05 1 PLACE ± 0.1 0 PLACES ± 0.2 DRAFT WHERE APPLICABLE MUST REMAIN WITHIN DIMENSIONS	DIMENSION UNITS	SCALE				
	REVISED	MM	±0.1							
	DRWN BY	DATE	AYOSHII01 2016/03/18							
	CHK'D BY	DATE	YKOBAYASHI02 2016/03/31							
	APPR BY	DATE	TKUSUHARA01 2016/03/31							
DRAWING SIZE		THIRD ANGLE PROJECTION		PRODUCT CUSTOMER DRAWING						
A3				SERIES	MATERIAL NUMBER	CUSTOMER				
				504754	SEE CHART					
RELEASE STATUS				P1	RELEASE DATE	07.07.2016 08:34:58	DOCUMENT NUMBER	DOC TYPE	DOC PART	SHEET NUMBER
							5047540000	PSD	000	2 OF 2



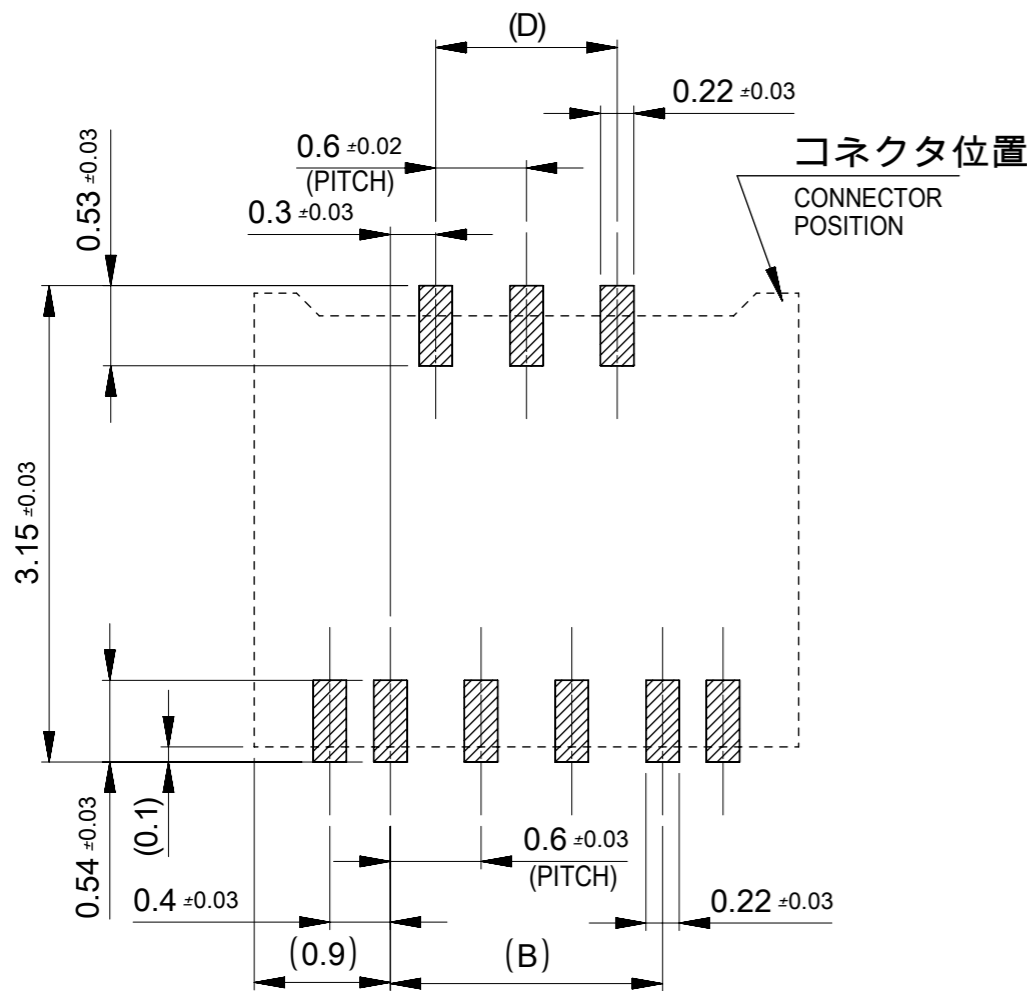
推奨ピックアップエリア(15:1)  
RECOMMENDED PICK UP AREA

注記 NOTES:  
 1.材質 MATERIAL  
 ハウジング: 液晶ポリマー(LCP)、黒色、ガラス充填、UL94 V-0  
 HOUSING: LIQUID CRYSTAR POLYMER, BLACK, GLASS FILLED, UL94 V-0  
 アクチュエータ: ポリアミド樹脂(PA)、灰色、ガラス充填、UL94 HB  
 ACTUATOR: POLYAMIDE, GRAY, GLASS FILLED, UL94 HB  
 奇数ターミナル: 銅合金 (t=0.10)  
 ODD TERMINAL: COPPER ALLOY(t=0.10)  
 偶数ターミナル: 銅合金 (t=0.10)  
 EVEN TERMINAL: COPPER ALLOY(t=0.10)  
 ロックターミナル: 銅合金 (t=0.10)  
 LOCK TERMINAL: COPPER ALLOY(t=0.10)  
 2.めっき仕様 PLATING  
 奇数 / 偶数ターミナル ODD/EVEN TERMINAL  
 接点部: 部分金めっき(0.1µm以上)  
 CONTACT AREA: SEPARATED GOLD PLATING (0.1 MICROMETER MINIMUM)  
 半田付け部: 部分金めっき  
 SOLDER TAIL AREA: SEPARATED GOLD PLATING  
 下地: ニッケルめっき(1.0µm以上)  
 UNDERPLATE: NICKEL PLATING(1.0 MICROMETER MINIMUM)  
 ロックターミナル LOCK TERMINAL  
 半田付け部: 部分金めっき  
 SOLDER TAIL AREA: SEPARATED GOLD PLATING  
 下地: ニッケルめっき(1.0µm以上)  
 UNDERPLATE: NICKEL PLATING(1.0 MICROMETER MINIMUM)  
 3.平坦度は、0.1mm以下とする。  
 TAILS' COPLANARITY TO BE 0.1 MAXIMUM.  
 4.ELV及びRoHS適合品  
 ELV AND RoHS COMPLIANT

18.5	17.4	19.3	18.0	19.8	504754-6100	61
15.5	14.4	16.3	15.0	16.8	504754-5100	51
12.5	11.4	13.3	12.0	13.8	504754-4100	41
11.9	10.8	12.7	11.4	13.2	504754-3900	39
11.3	10.2	12.1	10.8	12.6	504754-3700	37
10.7	9.6	11.5	10.2	12.0	504754-3500	35
10.1	9.0	10.9	9.6	11.4	504754-3300	33
9.5	8.4	10.3	9.0	10.8	504754-3100	31
7.7	6.6	8.5	7.2	9.0	504754-2500	25
6.5	5.4	7.3	6.0	7.8	504754-2100	21
5.0	4.2	5.8	4.5	6.3	504754-1600	16
4.7	3.6	5.5	4.2	6.0	504754-1500	15
3.5	2.4	4.3	3.0	4.8	504754-1100	11
2.9	1.8	3.7	2.4	4.2	504754-0900	9
2.3	1.2	3.1	1.8	3.6	504754-0700	7
E	D	C	B	A	EMBOSSED PACKAGE	CIRCUITS
オーダー番号: ORDER NO.						
CONNECTOR SERIES 504754-**09						

THIS DRAWING CONTAINS INFORMATION THAT IS PROPRIETARY TO MOLEX ELECTRONIC TECHNOLOGIES, LLC AND SHOULD NOT BE USED WITHOUT WRITTEN PERMISSION

REVISED	2017/02/17	GENERAL TOLERANCES (UNLESS SPECIFIED)	DIMENSION UNITS	SCALE	<b>molex</b>	
	2017/02/20	ANGULAR TOL ± 1.0 °	MM	20:1		
EC NO: 113640	DRWN: YCHEN128	4 PLACES ± 0.03	DRWN BY	DATE	0.3 FPC LA75 SERIES ASSY	
CHK'D: YKOBAYASHI02	CHK'D: YKOBAYASHI02	3 PLACES ± 0.03	AYOSHII01	2016/03/18		
APPR: TKUSUHARA01	APPR: TKUSUHARA01	2 PLACES ± 0.05	CHK'D BY	DATE	PRODUCT CUSTOMER DRAWING	
		1 PLACE ± 0.1	YKOBAYASHI02	2016/03/31		
		0 PLACES ± 0.2	APPR BY	DATE	SERIES MATERIAL NUMBER CUSTOMER	
		DRAFT WHERE APPLICABLE MUST REMAIN WITHIN DIMENSIONS	TKUSUHARA01	2016/03/31		
C	REV		DRAWING SIZE	THIRD ANGLE PROJECTION	DOCUMENT NUMBER DOC TYPE DOC PART SHEET NUMBER	
			A3		5047541000 PSD 000 1 OF 3	



推奨基板レイアウト

RECOMMENDED P.C. BOARD PATTERN LAYOUT

推奨メタルマスク厚さ : 0.1mm

RECOMMENDED METAL MASK THICKNESS : 0.1mm

推奨開口率 : 80%

APERTURE RATE : 80%

注記  
NOTE

- 必ず基板に実装してからアクチュエータを操作して下さい。  
PLEASE OPERATE THE ACTUATOR AFTER MOUNTING ON THE SUBSTRATE.
- FPCについて

ABOUT FPC

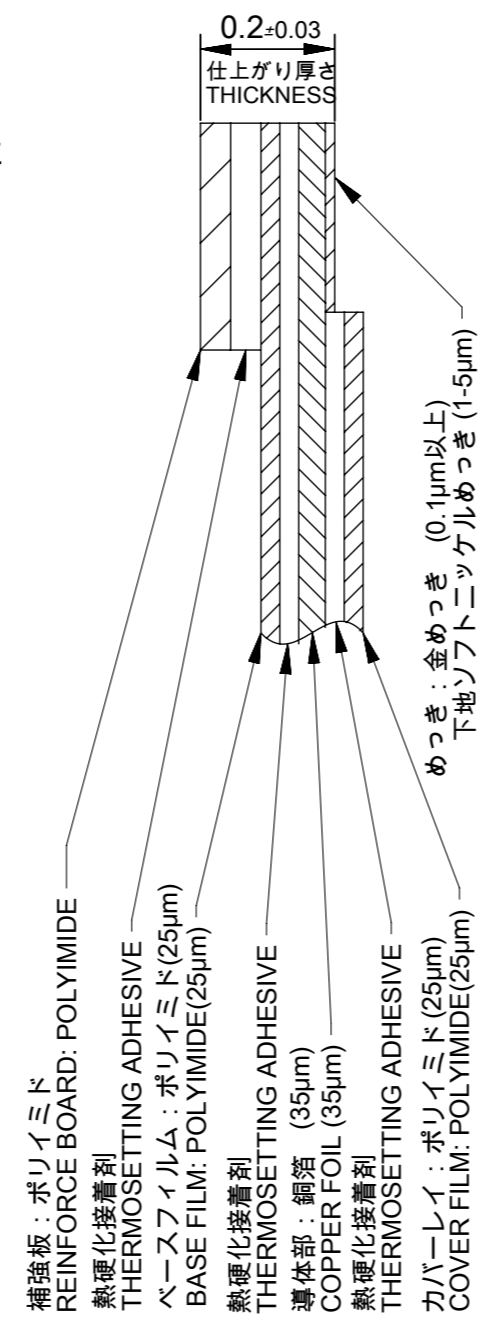
補強フィルム材質はポリイミドを推奨します。ベースフィルムは25μmを推奨します。

接着剤は熱硬化接着剤を推奨します。

尚、接着剤の接点部への付着は導通不良の原因になりますので、染み出しが無い様、お願い致します。

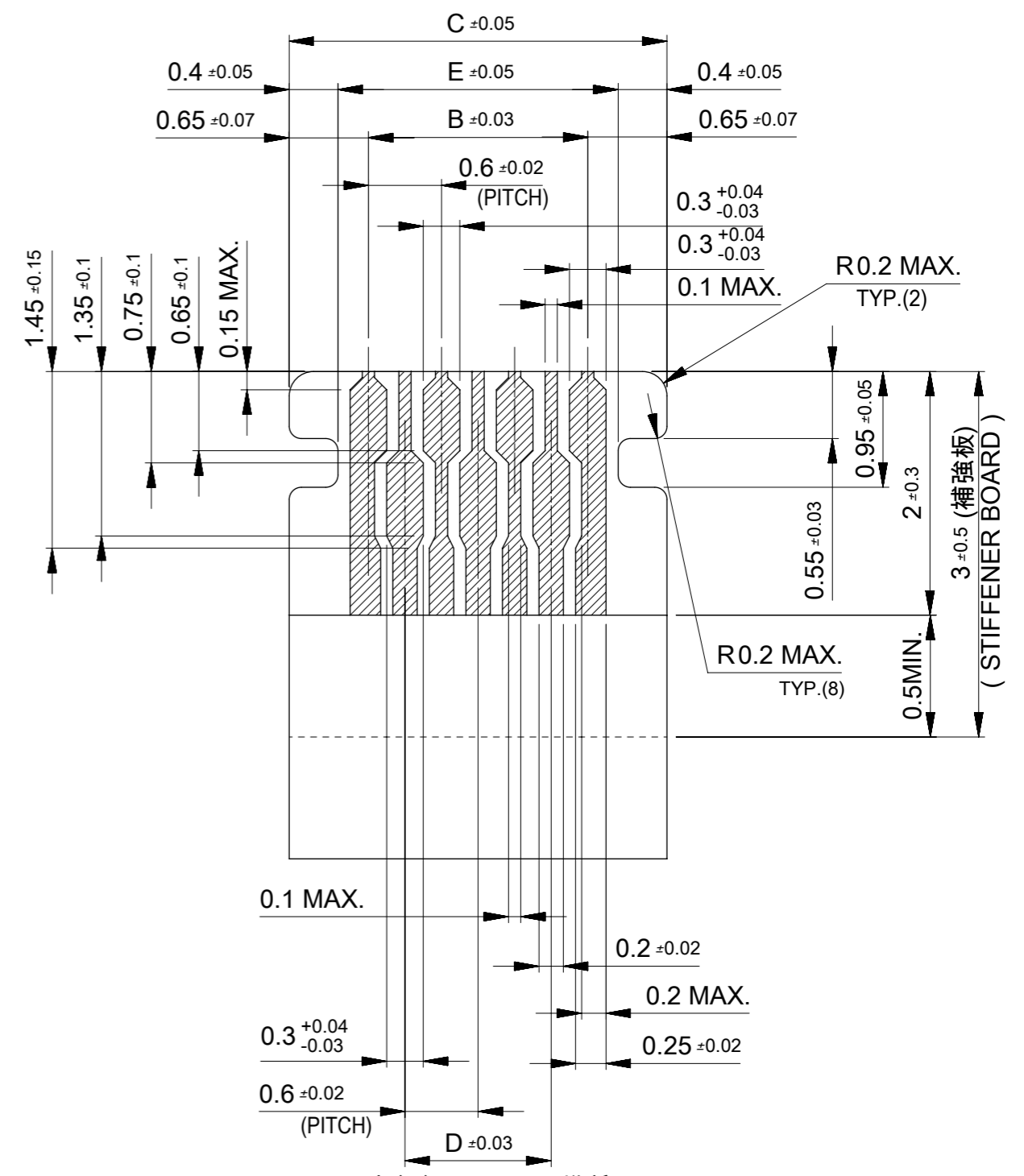
RECOMMENDED STIFFENER MATERIAL: POLYIMIDE  
RECOMMENDED BASE FILM THICKNESS: 25 MICROMETER  
RECOMMENDED ADHESIVE: THERMOSETTING ADHESIVE  
NOTE: PLEASE PUT APPROPRIATE AMOUNT OF ADHESIVE ON ADHEREND BECAUSE THERE IS A POSSIBILITY THAT THE EXTRA ADHESIVE CAUSES THE DEFECT IN ELECTRICAL CONTINUITY.

打抜き方向は導体側から補強板側を推奨致します。  
RECOMMENDED PUNCHER DIRECTION:  
FROM CONDUCTOR SIDE TO STIFFENER FILM SIDE.



FPC構成推奨仕様  
STRUCTURE OF FPC

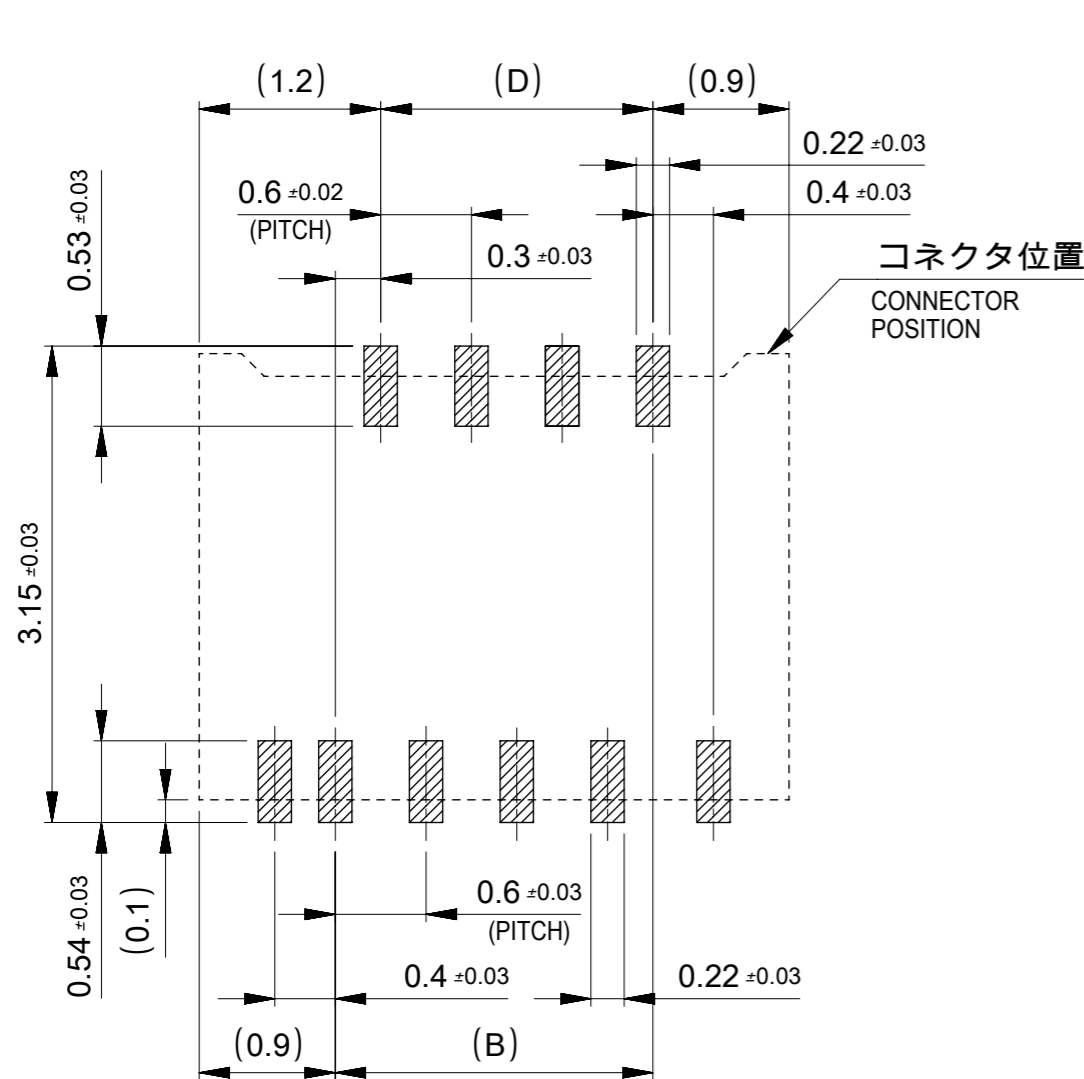
奇数極ASSY用  
FOR ODD CKT ASSY



適合金メッキFPC推奨寸法  
仕上がり厚さ : 0.2 ±0.03

APPLICABLE FPC WITH GOLD PLATING  
RECOMMENDED DIMENSION  
THICKNESS : 0.2 ±0.03

THIS DRAWING CONTAINS INFORMATION THAT IS PROPRIETARY TO MOLEX ELECTRONIC TECHNOLOGIES, LLC AND SHOULD NOT BE USED WITHOUT WRITTEN PERMISSION												
REVISED	2017/02/17	2017/02/20	GENERAL TOLERANCES (UNLESS SPECIFIED)		DIMENSION UNITS	SCALE						
	2017/02/20	2017/02/20	ANGULAR TOL ± 1.0 °		MM	20:1						
	EC NO: 113640	DRWN: YCHEN128	CHK'D: YKOBAYASHI02	APPR: TKUSUHARA01	4 PLACES ± 0.03	DRWN BY	DATE	0.3 FPC LA75 SERIES ASSY				
	2017/02/17	2017/02/20	2017/02/20	2017/02/20	3 PLACES ± 0.03	AYOSHII01	2016/03/18					
	2017/02/20	2017/02/20	2017/02/20	2017/02/20	2 PLACES ± 0.05	CHK'D BY	DATE	PRODUCT CUSTOMER DRAWING				
2017/02/20	2017/02/20	2017/02/20	2017/02/20	1 PLACE ± 0.1	YKOBAYASHI02	2016/03/31						
2017/02/20	2017/02/20	2017/02/20	2017/02/20	0 PLACES ± 0.2	APPR BY	DATE	SERIES MATERIAL NUMBER CUSTOMER					
2017/02/20	2017/02/20	2017/02/20	2017/02/20	DRAFT WHERE APPLICABLE MUST REMAIN WITHIN DIMENSIONS	TKUSUHARA01	2016/03/31						504754
C	REV	DRAWING SIZE		THIRD ANGLE PROJECTION	A3		DOCUMENT NUMBER		DOC TYPE	DOC PART	SHEET NUMBER	
		A3			5047541000		PSD	000	2 OF 3			



推奨基板レイアウト  
RECOMMENDED P.C. BOARD  
PATTERN LAYOUT

推奨メタルマスク厚さ : 0.1mm

RECOMMENDED METAL MASK THICKNESS : 0.1mm

推奨開口率 : 80%

APERTURE RATE : 80%

注記  
NOTE

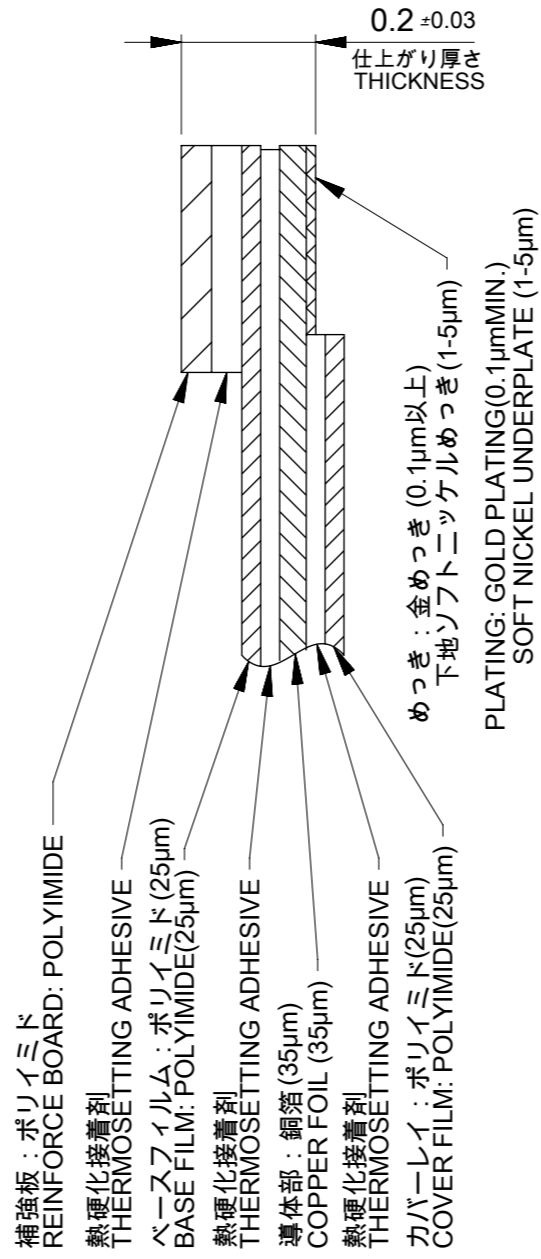
1. 必ず基板に実装してからアクチュエータを操作して下さい。  
PLEASE OPERATE THE ACTUATOR AFTER MOUNTING ON THE SUBSTRATE.

2. FPCについて  
ABOUT FPC

補強フィルム材質はポリイミドを推奨します。ベースフィルムは25μmを推奨します。  
接着剤は熱硬化接着剤を推奨します。  
尚、接着剤の接点部への付着は導通不良の原因になりますので、染み出しが無い様、お願い致します。

RECOMMENDED STIFFENER MATERIAL: POLYIMIDE  
RECOMMENDED BASE FILM THICKNESS: 25 MICROMETER  
RECOMMENDED ADHESIVE: THERMOSETTING ADHESIVE  
NOTE: PLEASE PUT APPROPRIATE AMOUNT OF ADHESIVE ON ADHEREND BECAUSE THERE IS A POSSIBILITY THAT THE EXTRA ADHESIVE CAUSES THE DEFECT IN ELECTRICAL CONTINUITY.

打抜き方向は導体側から補強板側を推奨致します。  
RECOMMENDED PUNCHER DIRECTION:  
FROM CONDUCTOR SIDE TO STIFFENER FILM SIDE.

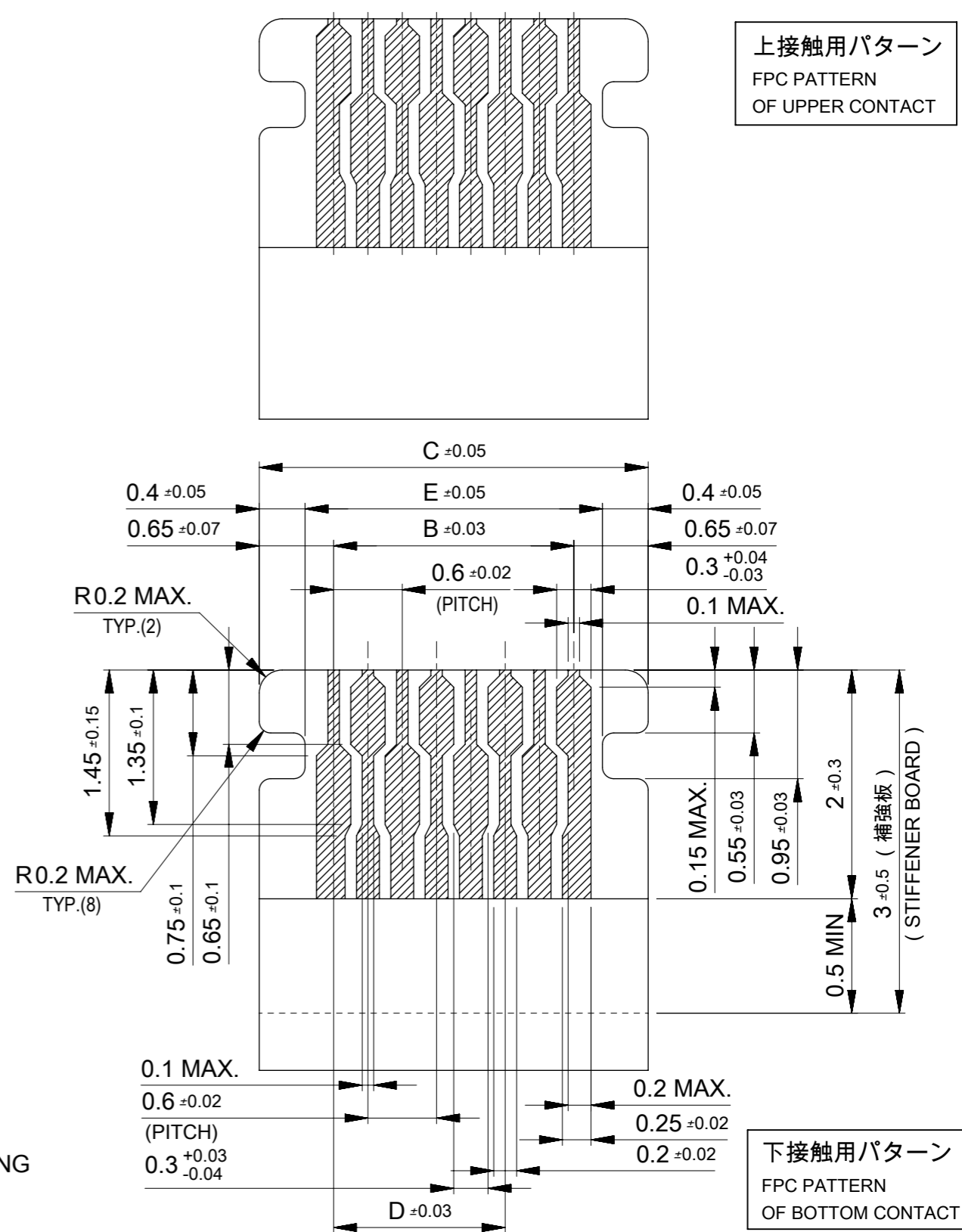


FPC構成推奨仕様  
STRUCTURE OF FPC

適合金メッキFPC推奨寸法

仕上がり厚さ : 0.2±0.03  
APPLICABLE FPC WITH GOLD PLATING  
RECOMMENDED DIMENSION  
THICKNESS : 0.2±0.03

16極ASSY用  
FOR 16 CKT ASSY



上接触用パターン  
FPC PATTERN  
OF UPPER CONTACT

下接触用パターン  
FPC PATTERN  
OF BOTTOM CONTACT

THIS DRAWING CONTAINS INFORMATION THAT IS PROPRIETARY TO MOLEX ELECTRONIC TECHNOLOGIES, LLC AND SHOULD NOT BE USED WITHOUT WRITTEN PERMISSION												
REVISED	2017/02/17	GENERAL TOLERANCES (UNLESS SPECIFIED)		DIMENSION UNITS	SCALE	<p>0.3 FPC LA75 SERIES ASSY</p> <p>PRODUCT CUSTOMER DRAWING</p>						
	2017/02/20	ANGULAR TOL ± 1.0 °		MM	20:1							
	2017/02/20	4 PLACES	± 0.03	DRWN BY	DATE							
	EC NO: 113640	YCHEN128	YKOBAYASHI02	TKUSUHARA01	AYOSHII01							2016/03/18
	DRWN: YCHEN128	CHK'D: YKOBAYASHI02	APPR: TKUSUHARA01	TKUSUHARA01	YKOBAYASHI02							2016/03/31
2017/02/20	1 PLACE	± 0.1	APPR BY	DATE	SERIES		MATERIAL NUMBER		CUSTOMER			
2017/02/20	0 PLACES	± 0.2	TKUSUHARA01	2016/03/31	504754		SEE SHEET 1					
DRAFT WHERE APPLICABLE MUST REMAIN WITHIN DIMENSIONS		DRAWING SIZE		THIRD ANGLE PROJECTION		DOCUMENT NUMBER		DOC TYPE	DOC PART	SHEET NUMBER		
A3		A3				5047541000		PSD	000	3 OF 3		