

FEATURES:

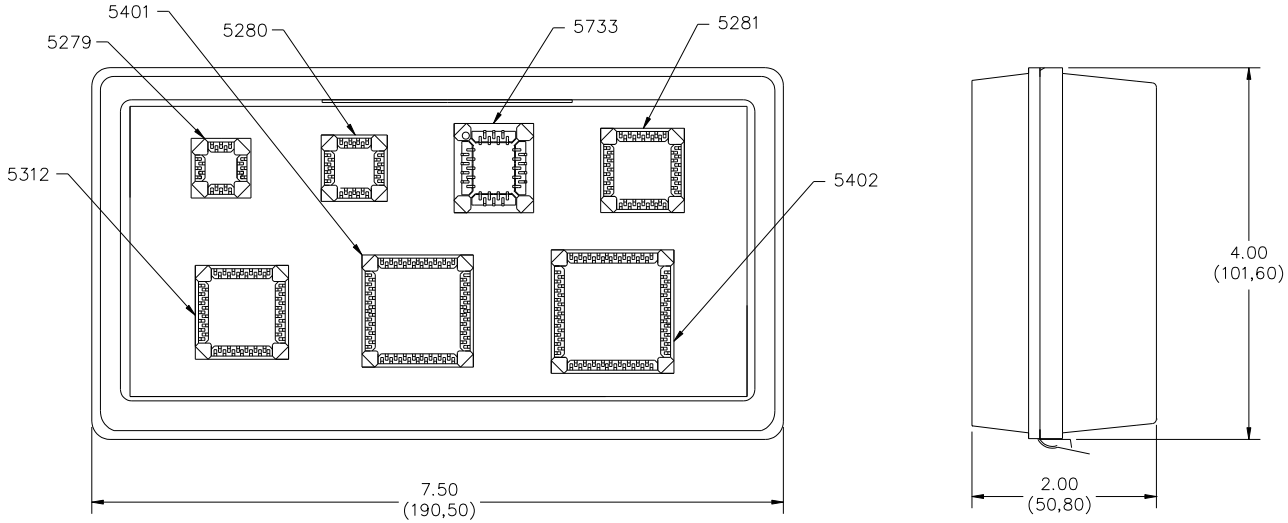
- ✓ Test adapters are designed for testing surface mounted PLCC chips with "J" leads (JEDEC MO-047 and MO-052).
- ✓ The patented lock-on design attaches directly to the surface mounted
- ✓ IC and provides hands-free access to all of the chip leads.
- ✓ Gold plated upper contacts assure noise free, low resistance connections.
- ✓ Standard .025 square pins accept wire-wrap, .025 sq. receptacle or soldered wires.
- ✓ Pins are staggered to use the least space
- ✓ Gold plated lower contacts assure the best connection to chip leads.

ORDERING INFORMATION: (single PLCC clip)

| Model Number | No. of Pins | Pins per Side | Space Required "B" | Board Footprint "A" |
|--------------|-------------|---------------|-----------------------------------|-----------------------------------|
| 5279 | 20 | 5x5 | .675" (17,14mm) | 0.560" (14,23mm) |
| 5280 | 28 | 7x7 | .775" (19,68mm) | 0.665" (16,89mm) |
| 5733 | 32 | 7x9 | .775" x .875" (19,68mm x 22,22mm) | .665" x .765" (16,89mm x 19,43mm) |
| 5281 | 44 | 11x11 | .975" (24,77mm) | 0.865" (21,97mm) |
| 5312 | 52 | 13x13 | 1.075" (27,31mm) | 0.965" (24,51mm) |
| 5401 | 68 | 17x17 | 1.275" (32,39mm) | 1.180" (29,97mm) |
| 5402 | 84 | 21x21 | 1.520" (38,60mm) | 1.350" (34,29mm) |

All dimensions are in inches. Tolerances (except noted): .xx = ±.02" (.51 mm), .xxx = ±.005" (.127 mm).
 All specifications are to the latest revisions. Specifications are subject to change without notice.
 Registered trademarks are the property of their respective companies.

Sales: 800-490-2361 Fax: 888-403-3360 Technical Support: 800-241-2060 (technicalsupport@pomonatest.com)
 For "Where to Buy" information, visit the Pomona web site at www.pomonaelectronics.com



5515A PLCC Test Clip Kit

| Kit includes: |
|--|
| 1 each of the following PLCC test clips: |
| 5279 (20 pins) |
| 5280 (28 pins) |
| 5733 (32 pins) |
| 5281 (44 pins) |
| 5312 (52 pins) |
| 5401 (68 pins) |
| 5402 (84 pins) |

RATINGS:

Operating Voltage: Hands free usage in controlled voltage environments: 500 Vrms maximum. *For CE compliance:* not intended for hand-held use at voltages above 33 Vrms/70 Vdc.

Current: 1 Amperes

Operating Temperature: +215°F (+102°C)

MATERIALS:

Lower Contacts: Gold Plated Beryllium Copper per QQ-C-533, Alloy 172, HM.

Upper Contacts: Gold Plated Phosphor Bronze, Alloy 510, Grade A

Body: Gray, glass-filled nylon

ORDERING INFORMATION: Model 5515A (PLCC kit)

All dimensions are in inches. Tolerances (except noted): .xx = ±.02" (.51 mm), .xxx = ±.005" (.127 mm).

All specifications are to the latest revisions. Specifications are subject to change without notice.

Registered trademarks are the property of their respective companies.

Sales: 800-490-2361 Fax: 888-403-3360 Technical Support: 800-241-2060 (technicalsupport@pomonatest.com)

For "Where to Buy" information, visit the Pomona web site at www.pomonaelectronics.com