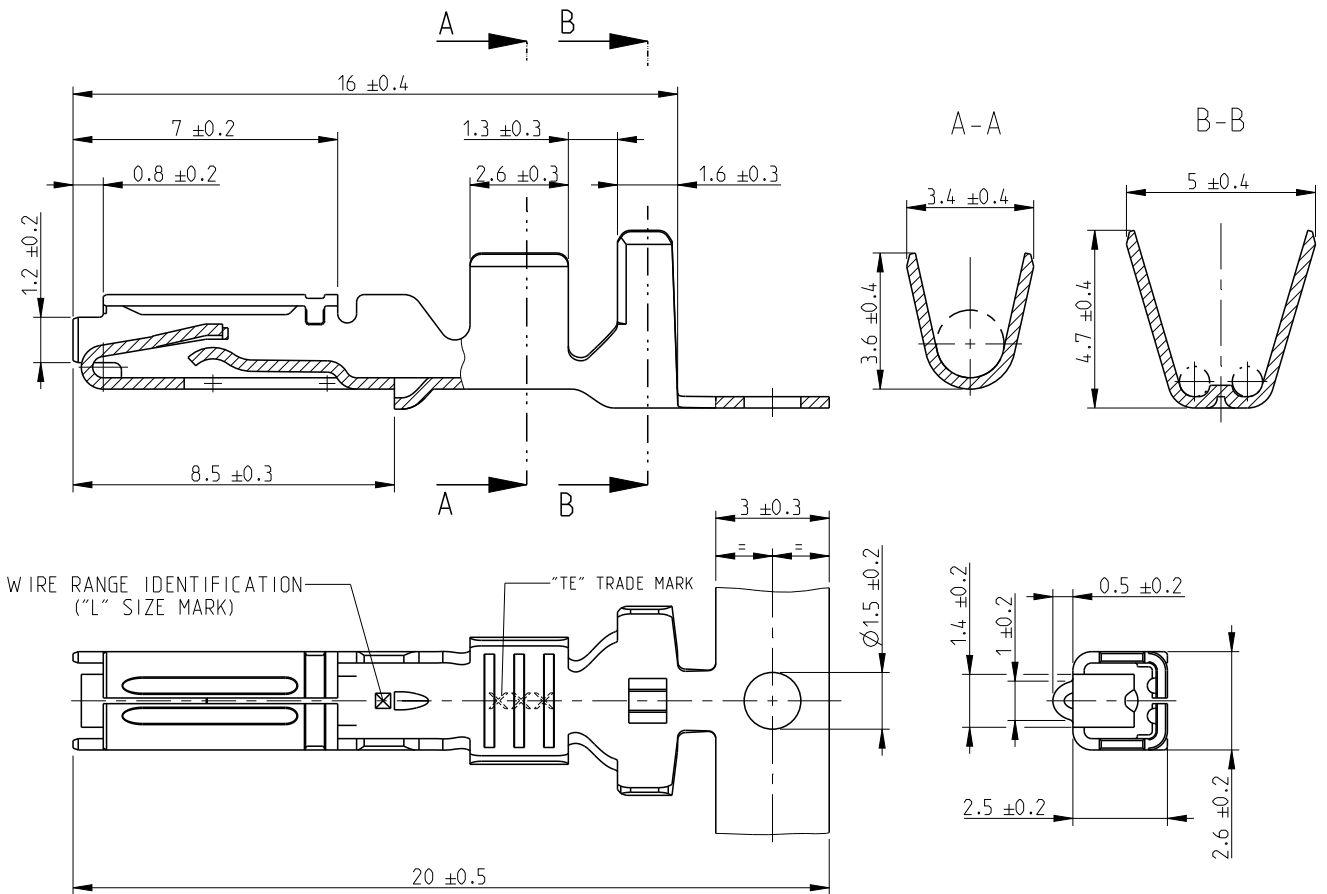


REVISIONS					
P	LTR	DESCRIPTION	DATE	DWN	APVD
	A2	Redrawn to Creo	07MAR2017	JJH	JP



1. DELIVERY STATE: ITEM IS SUPPLIED REELED ON CARTON REEL WITH STRIP PITCH = 11.9±0.2mm
 STATO DI FORNITURA: AVVOLTI SU BOBINA CON PASSO TRA TERMINALI DI = 11.9±0.2mm

CUSTOMER DRAWING FOR INFORMATION ONLY
 DISEGNO PER CLIENTE SOLO PER RIFERIMENTO

THIS DRAWING IS UNPUBLISHED. BY - COPYRIGHT © 20 ALL RIGHTS RESERVED. RELEASED FOR PUBLICATION 20

A2

INS. DIA. RANGE (DIAM. ISOLANTE)	WIRE RANGE (RANGO FILO)
∅2.7-3.0mm	>1.5-2.5mm ²

PRE-TIN (PRE-STAGNATO)	BRASS (OTTONE)	282376-1
FINISH/COLOUR (FINITURE/COLORE)	MATERIAL (MATERIALE)	PART NUMBER

DIMENSIONS:	DWN	11JUN1993
mm	R. MARTINI	
TOLERANCES UNLESS OTHERWISE SPECIFIED:	CHK	11JUN1993
	C. TARTARI	
	APVD	-
	PRODUCT SPEC	108-20159
	APPLICATION SPEC	114-20056
	WEIGHT	-

MATERIAL	FINISH	
-	-	
TE Connectivity		
NAME .070 SRS REC. CONTACT		
SIZE	CAGE CODE	DRAWING NO
A 4	-	C=282376
CUSTOMER DRAWING		RESTRICTED TO
SCALE 5:1		SHEET 1 OF 1
		REV A2