

K12S Series High Performance SMT Key Switches (Cold White)

NEW



Features/Benefits

- Harsh environment applications
- Compatible with SMT lead free soldering process
- Illuminated
- Excellent tactile feel
- High reliability / long life
- Detect versions available
- RoHS compliant

Typical Applications

- Automotive
- Joysticks
- Off-road transportation
- Motorcycles
- Industrial
- Medical

Construction:

FUNCTION: Momentary
CONTACT ARRANGEMENT: SPST
CONTACT TYPE: NO or NC
TERMINALS: SMT

Mechanical

TOTAL TRAVEL: 1,5 mm
OPERATING FORCE: 3N; 5N; 6N; 9N; 12N
SEALING: IP40 or IP67 *

Packaging

Reels of 900 pieces (diameter 550mm)
Reels of 300 pieces (diameter 360mm)

* High sealing grade (IP67): Only after customer coating operation

Electrical

SWITCHING POWER MIN./MAX.: 0.02mW/3 W DC
SWITCHING VOLTAGE MIN./MAX.: 2 V / 30 V DC
SWITCHING CURRENT MIN./MAX.: 10 mA /100 mA DC
DIELECTRIC STRENGTH: > 300 V RMS
OPERATING LIFE: > 10⁶ operations (detect version) / 2x10⁸ operations (versions with tactile effect)
CONTACT RESISTANCE: Initial < 100mΩ - After test < 250mΩ
INSULATION RESISTANCE: >10⁹Ω
BOUNCE TIME: < 10 ms

Environmental

OPERATING TEMPERATURE: -40°C to 85°C
STORAGE TEMPERATURE: -40°C to 95°C
RoHS compliant and Halogen free

Process

SOLDERABILITY: Lead free soldering compatible

How To Order

Our easy build-a-switch concept allows you to mix and match options to create the switch you need. To order, select desired option from each category and place it in the appropriate box.



Sub-Series

- J** IP40 with peg + ventilation hole *
- L** IP40 without peg + ventilation hole *
- K** IP67 with peg + ventilation hole
- M** IP67 without peg + ventilation hole *

Option

- L** LED version (SPST)
- S** SPST version
- D** DPST version *

LED Color
NONE No LED
WHO White

Travel
1.5 1.5 mm

Operating Force
3N 3N (detect - no tactile)
5N 5N
6N 6N
9N 9N
12N 12N

Contact Arrangement

- O** Normally open
- C** Normally closed
- OO** 2 Normally open (DPST)
- CC*** 2 Normally closed (DPST)
- OC*** 1 Normally open
- 1 Normally closed (DPST)

LFTW Translucent lens reel 900pcs
LFTZ Translucent lens reel 300pcs

* Please contact technical support for this configuration



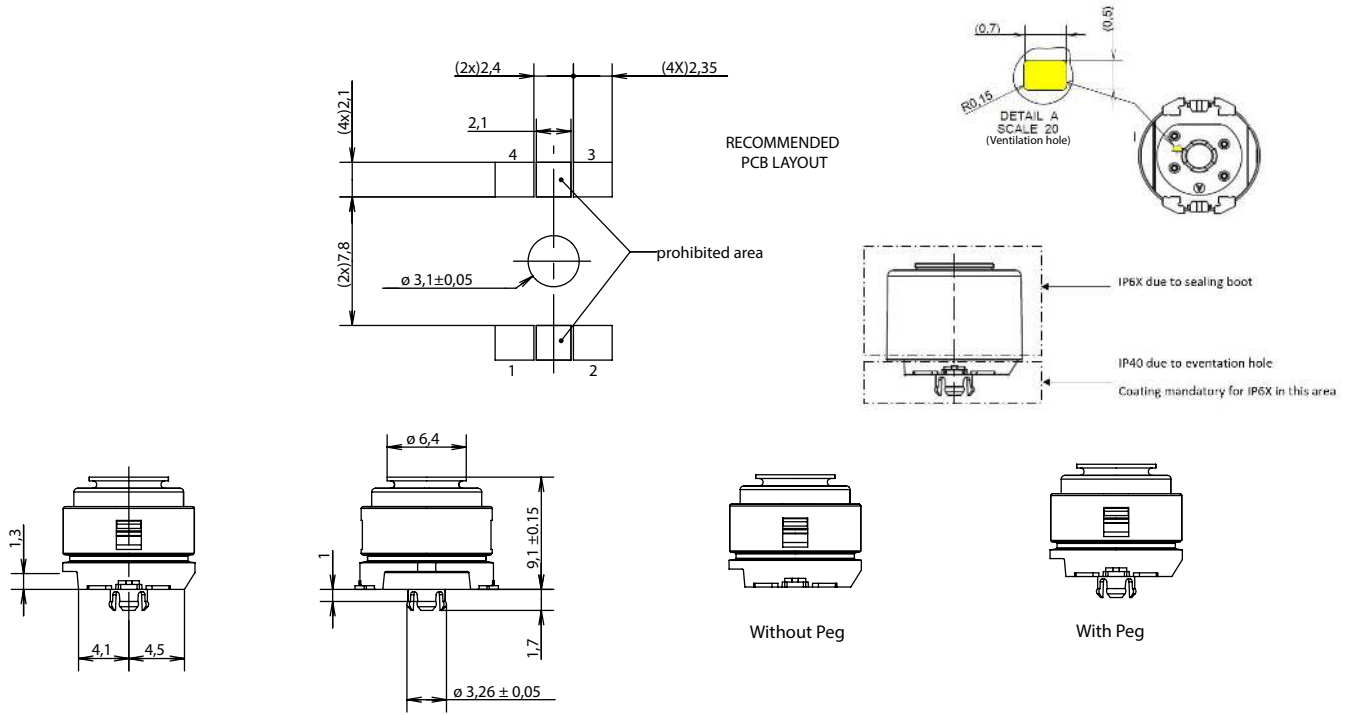
D

Key Switches

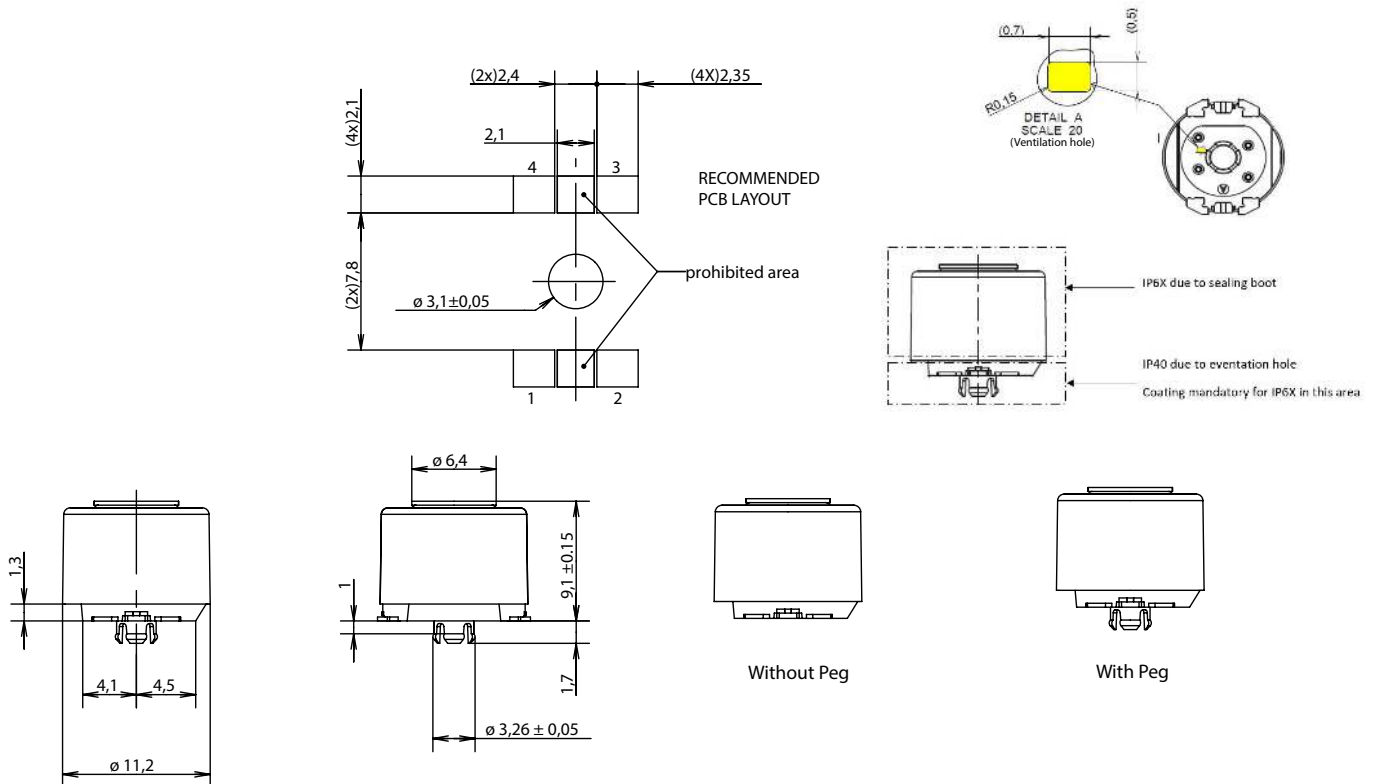
NEW

K12S Series High Performance SMT Key Switches (Cold White)

K12SJ / K12SL IP40 with peg / IP40 without peg



K12SK / K12SM IP67 with peg / IP67 without peg



Key Switches



First Angle
Projection

Dimensions are shown: mm
Specifications and dimensions subject to change



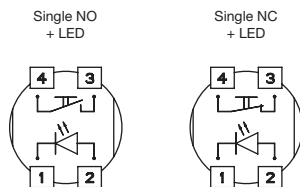
23 Jun 22

K12S Series High Performance SMT Key Switches (Cold White)

NEW

OPTION

L LED version



LED COLOR

OPTION CODE	LED COLOR
WHO	White

TRAVEL

1.5 1.5 mm

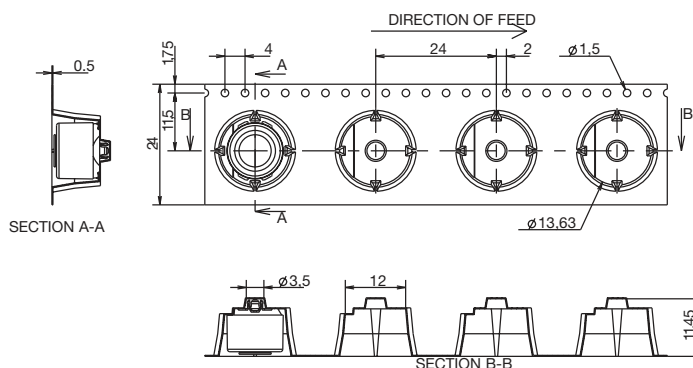
OPERATING FORCE

OPTION CODE	OPERATING FORCE
3N	3N (detect - no tactile)
5N	5N
6N	6N
9N	9N
12N	12N

CONTACT ARRANGEMENT

- O** Normally open (SPST and LED versions)
- C** Normally closed (SPST and LED versions)

TAPE AND REEL



K12S Series High Performance SMT Key Switches

NEW



Features/Benefits

- Harsh environment applications - IP67
- Compatible with SMT lead free soldering process
- Illuminated
- Excellent tactile feel
- High reliability / long life
- DPST and detect versions available
- RoHS compliant

Typical Applications

- Automotive
- Joysticks
- Off-road transportation
- Motorcycles
- Industrial
- Medical

Construction:

FUNCTION: Momentary
CONTACT ARRANGEMENT: SPST or DPST
CONTACT TYPE: NO or NC
TERMINALS: SMT

Mechanical

TOTAL TRAVEL: 1,5 mm
OPERATING FORCE: 3N; 5N; 6N; 9N 4/8 N; 6/12 N; 12 N
SEALING: IP40 or IP67

Packaging

Reels of 900 pieces

Electrical

SWITCHING POWER MIN./MAX.: 0.02mW/3 W DC
SWITCHING VOLTAGE MIN./MAX.: 2 V / 30 V DC
SWITCHING CURRENT MIN./MAX.: 10 mA /100 mA DC
DIELECTRIC STRENGTH: > 300 V RMS
OPERATING LIFE: > 10⁶ operations (detect version) / 2x10⁵ operations (versions with tactile effect)
CONTACT RESISTANCE: Initial < 100mΩ - After test < 250mΩ
INSULATION RESISTANCE: >10⁹ Ω
BOUNCE TIME: < 10 ms

Environmental

OPERATING TEMPERATURE: -40°C to 85°C.
STORAGE TEMPERATURE: -40°C to 95°C.
RoHS compliant and Halogen free.

Process

SOLDERABILITY: Lead free soldering compatible.

How To Order

Our easy build-a-switch concept allows you to mix and match options to create the switch you need. To order, select desired option from each category and place it in the appropriate box.



Sub-Series

- A** IP40 with peg
- B** IP67 with peg
- C** IP40 without peg
- D** IP67 without peg

Option

- S** SPST version
- L** LED version (SPST)
- D** DPST version

LED Color

- NONE** No LED
- YE0** Yellow
- RD0** Red
- GN0** Green
- OR0** Orange
- WHO** White
- AMO** Amber

Travel
1.5 1.5 mm

Operating Force

- 3N** 3 N (detect - no tactile)
- 5N** 5 N
- 6N** 6 N
- 9N** 9 N
- 4/8N** 4/8 N DPST (double step actuation)
- 6/12N** 6/12 N DPST (double step actuation)
- 12N** 12 N

Contact Arrangement

- O** Normally open (SPST)
- C** Normally closed (SPST)
- OO** 2 Normally open (DPST)
- CC*** 2 Normally closed (DPST)
- OC*** 1 Normally open
- 1 Normally closed (DPST)

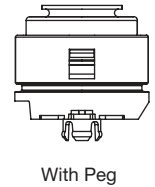
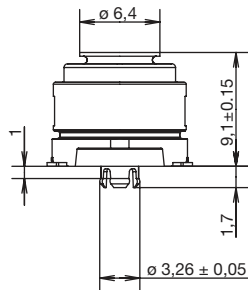
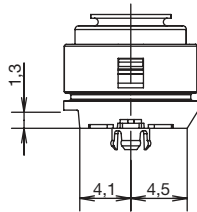
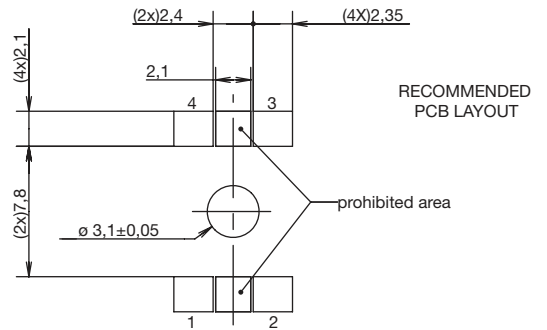
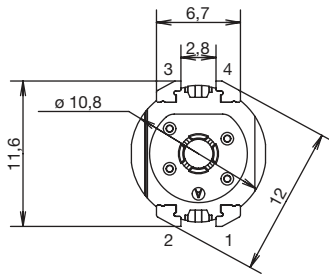
LFTX Lead free, RoHS terminals tin plated Translucent button

* Please contact technical support for this configuration

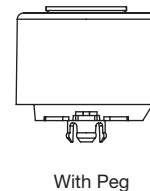
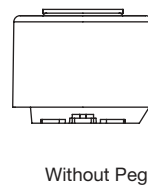
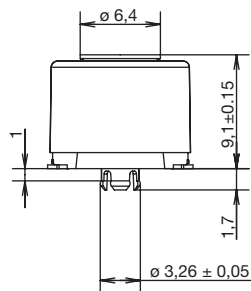
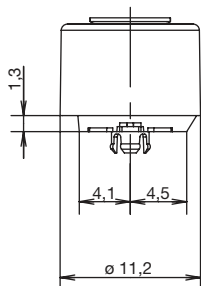
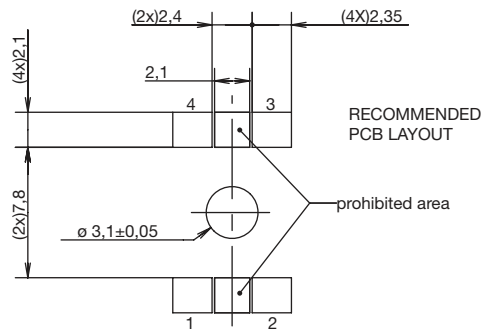
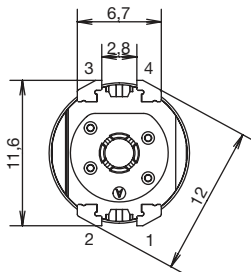
NEW

K12S Series High Performance SMT Key Switches

K12SA/K12SC IP40 with peg / IP40 without peg

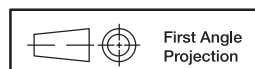


K12SB / K12SD IP67 with peg / IP67 without peg



D

Key Switches



First Angle
Projection

Dimensions are shown: mm
Specifications and dimensions subject to change

C&K

30 Jun 22

K12S Series High Performance SMT Key Switches

NEW

OPTION

S SPST version

L LED version

D DPST version

Single NO

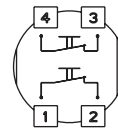
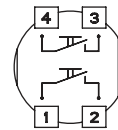
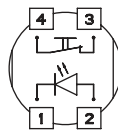
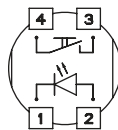
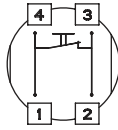
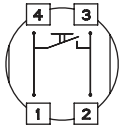
Single NC

Single NO
+ LED

Single NC
+ LED

Double NO

Double NC



LED COLOR

OPTION CODE	LED COLOR
	No LED
YE0	Yellow
RD0	Red
GN0	Green
OR0	Orange
WH0	White
AM0	Amber

TRAVEL

1.5 1.5 mm

OPERATING FORCE

OPTION CODE	OPERATING FORCE
3N	3N (detect - no tactile)
5N	5N
6N	6N
9N	9N
4/8N	4/8N (double step actuation)
6/12N	6/12N (double step actuation)

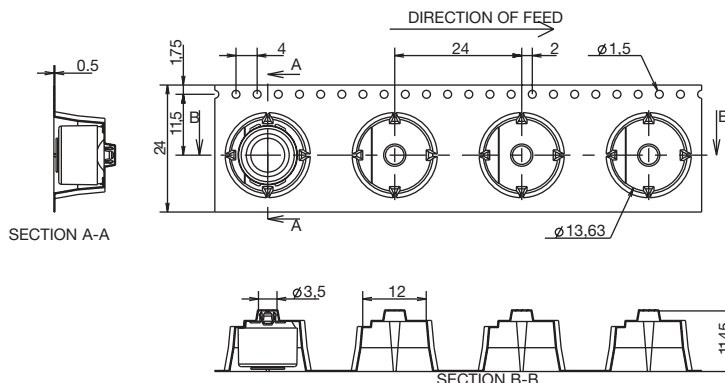
CONTACT ARRANGEMENT

- O** Normally open (SPST and LED versions)
- C** Normally closed (SPST and LED versions)
- OO** 2 Normally open (DPST version)

- CC*** 2 Normally closed (DPST version)
- OC*** 1 Normally open/ 1 Normally closed (DPST)

* Please contact technical support for this configuration

TAPE AND REEL



Dimensions are shown: mm
Specifications and dimensions subject to change