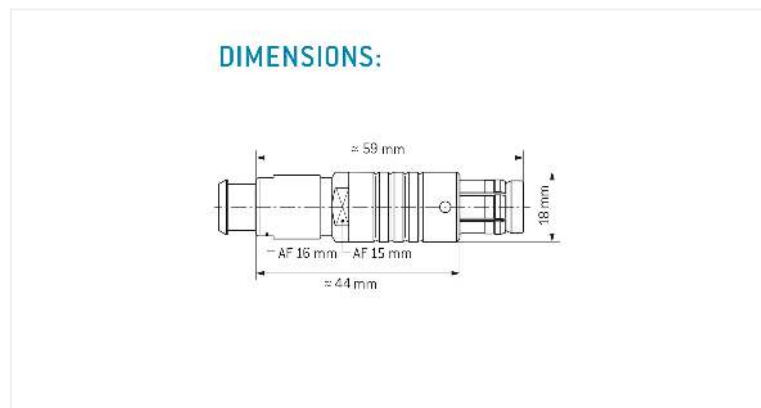


### General information

Part number	S23F1C-P16MM00-010S
Termination	solder
Size	3
Locking principle	push
Coding	1_halfshell
Cable Diameter	cable_mini_01
Cable outlet	bend_relief



### Contact insert description

Number of contacts	16
Contact type	pins
Contact diameter	12_07_4_16mm
Insulator material	peek
Wire cross section	26_awg_14_awg
Termination	solder
Termination diameter	065mm180mm

reverse\_gender\_on\_request

### Technical information

Max. creepage and air clearance distance	07_07_mm	07_25_mm
Nominal current single contact	6_21_a	iec_60512_5_2
Test voltage	09_15_kv_ac	sae_13441

safety\_text

## Mechanical and environmental data

Degree of protection*	ip50
-----------------------	------

Operating temperature	40_120_c
-----------------------	----------

Mating cycles	5000
---------------	------

mated\_unmated

## Material and surface treatments

Housing	m_chrome
---------	----------

Contact	cu_alloy_gold
---------	---------------

safety\_text\_2

ul\_text

illustrative\_text