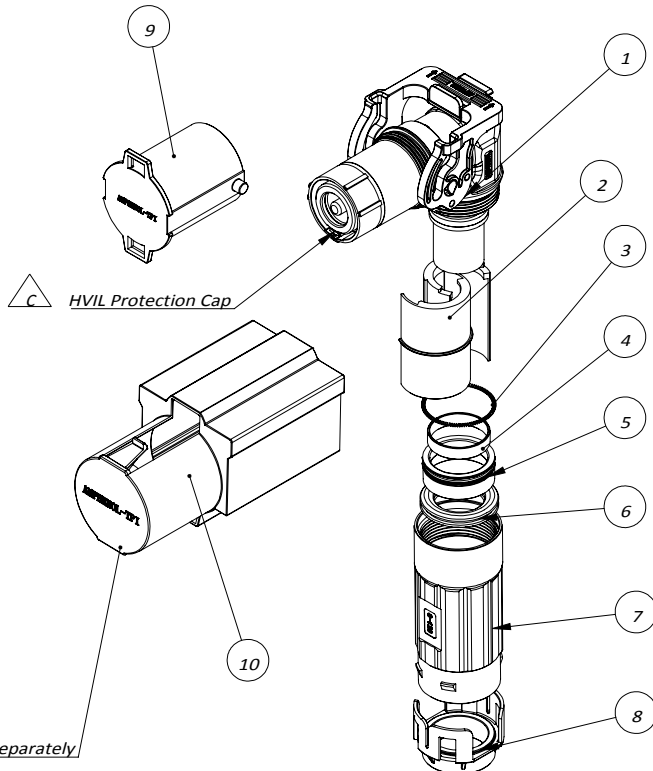


THIS DRAWING IS SUPPLIED FOR INFORMATION ONLY. DESIGN FEATURES, SPECIFICATIONS AND PERFORMANCE DATA SHOWN HEREON ARE THE PROPERTY OF THE AMPHENOL CORPORATION. NO RIGHTS OF REPRODUCTION ARE IMPLIED. ALL DIMENSIONS ARE SUBJECT TO NORMAL MANUFACTURING VARIATIONS.

1	2	3	4	5	6	7	8		
型号 Model	Kit Package P/N	Bulk Package P/N	REVISIONS						
PL28X-501-95-2-5	AC-HA011945	AC-HA011945-2	REV#		ECN#	REVISION ACTION	REV.BY:	APPR.BY:	DATE
PL28Y-501-95-2-5	AC-HA011946	AC-HA011946-2	A		--	INITIAL RELEASE	Jack	James	03/31/2020
PL28U-501-95-2-5	AC-HA011947	AC-HA011947-2	B		--	增加表格信息	Star	James	10/29/2020
PL28V-501-95-2-5	AC-HA011948	AC-HA011948-2	C		--	Add Dust Cap And Protection Cap	Star	James	12/30/2020
PL28W-501-95-2-5	AC-HA011949	AC-HA011949-2							
PL28T-501-95-2-5	AC-HA011950	AC-HA011950-2							
PL28X-500-95-2-5	AC-HA011951	AC-HA011951-2							
PL28Y-500-95-2-5	AC-HA011952	AC-HA011952-2							
PL28U-500-95-2-5	AC-HA011953	AC-HA011953-2							
PL28V-500-95-2-5	AC-HA011954	AC-HA011954-2							
PL28W-500-95-2-5	AC-HA011955	AC-HA011955-2							
PL28T-500-95-2-5	AC-HA011956	AC-HA011956-2							
PL28X-501-120-2-5	AC-HA011957	AC-HA011957-2							
PL28Y-501-120-2-5	AC-HA011958	AC-HA011958-2							
PL28U-501-120-2-5	AC-HA011959	AC-HA011959-2							
PL28V-501-120-2-5	AC-HA011960	AC-HA011960-2							
PL28W-501-120-2-5	AC-HA011961	AC-HA011961-2							
PL28T-501-120-2-5	AC-HA011962	AC-HA011962-2							
PL28X-500-120-2-5	AC-HA011963	AC-HA011963-2							
PL28Y-500-120-2-5	AC-HA011964	AC-HA011964-2							
PL28U-500-120-2-5	AC-HA011965	AC-HA011965-2							
PL28V-500-120-2-5	AC-HA011966	AC-HA011966-2							
PL28W-500-120-2-5	AC-HA011967	AC-HA011967-2							
PL28T-500-120-2-5	AC-HA011968	AC-HA011968-2							
PL28X-501-70-2-5	AC-HA012906	AC-HA012906-2							
PL28Y-501-70-2-5	AC-HA012907	AC-HA012907-2							
PL28U-501-70-2-5	AC-HA012908	AC-HA012908-2							
PL28V-501-70-2-5	AC-HA012909	AC-HA012909-2							
PL28W-501-70-2-5	AC-HA012910	AC-HA012910-2							
PL28T-501-70-2-5	AC-HA012911	AC-HA012911-2							
PL28X-500-70-2-5	AC-HA012912	AC-HA012912-2							
PL28Y-500-70-2-5	AC-HA012913	AC-HA012913-2							
PL28U-500-70-2-5	AC-HA012914	AC-HA012914-2							
PL28V-500-70-2-5	AC-HA012915	AC-HA012915-2							
PL28W-500-70-2-5	AC-HA012916	AC-HA012916-2							
PL28T-500-70-2-5	AC-HA012917	AC-HA012917-2							



ITEM	DESCRIPTION	QTY	REMARK
10	PL500 G2 1 POS plug protection cap	1	Order P/N AC-CP001600
9	PL500 G2 Dust cover for Plug	1	
8	PL500 G2 R/A Tail Cap H+S cable	1	Different P/N are used according to different Cable sizes
7	PL500 G2 Back Shell 14mm-90	1	Different P/N are used according to different Cable sizes
6	PL500 G2 cable sealing	1	Different P/N are used according to different Cable sizes
5	PL500 G2 Outer Copper Ring for R/A Plug	1	Different P/N are used according to different Cable sizes
4	PL500 G2 Inner Copper Ring	1	Different P/N are used according to different Cable sizes
3	PL500 G2 Canted Coil Spring for Plug	1	
2	PL500 G2 Plastic set	2	
1	PL500 G2 Front Shell 14mm-90 Assy	1	Different P/N are used according to different Cable sizes
MATERIALS LIST			

Note: Optional to be ordered separately

Amphenol Technical Products International Asia.

第三角投影 THIRD ANGLE PROJECTION	页面 SHEET	幅面 SIZE	版次 REV.	比例 SCALE	PART NAME: PL14mm G2 Right Angle Plug	
	2 OF 2	A4	C		DWG NO: PL28X-50X-XX-2-5	
签名 SIGNATURE	日期 DATE	<small>UNLESS OTHERWISE SPECIFIED</small> 1) All dimensions are in metric (mm). 2) Tolerances are as follows: 1.PL DEC ± 1.00 2.PL DEC ± 0.50 3.PL DEC ± 0.20 Angles ±1°			CUST PART #	
制图 DRAWN	Star				12/30/2020	CUST REV.
审核 CHECKED						
批准 APPROVAL						