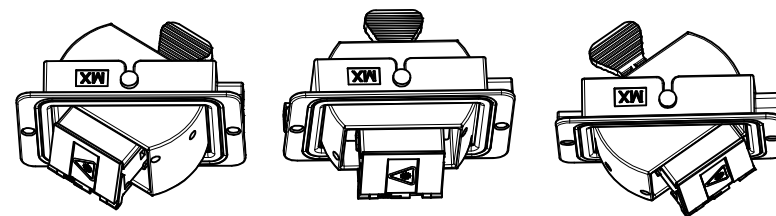
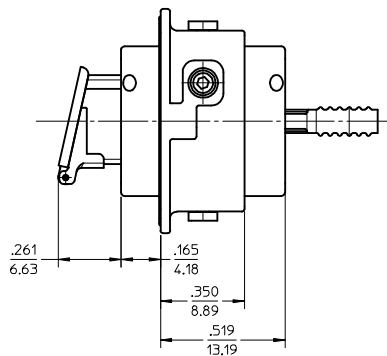
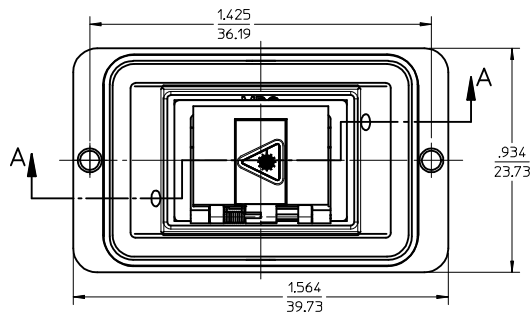


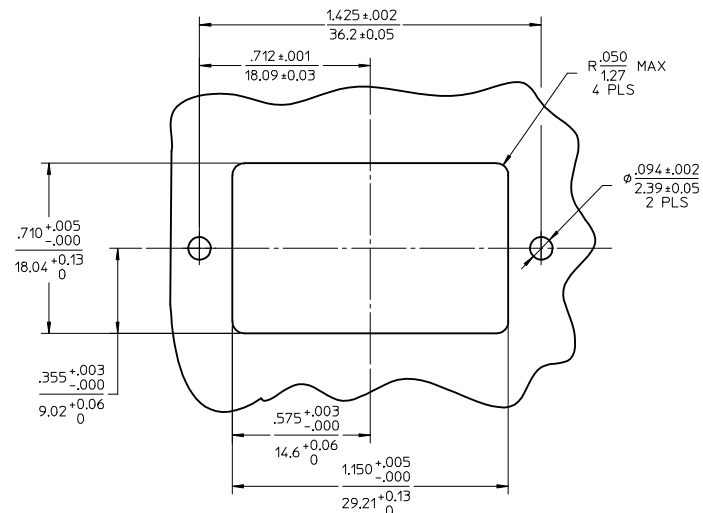
TOP VIEW
ADAPTER ROTATED +35°



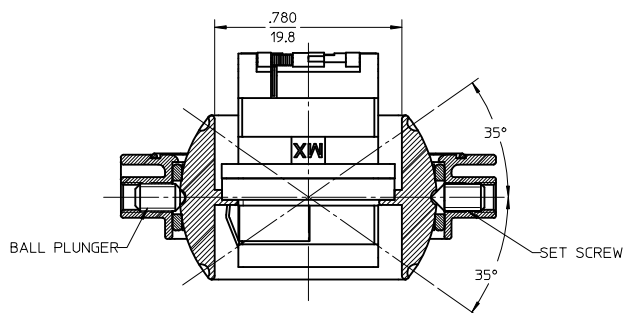
ISOMETRIC VIEWS
SCALE: 1.5:1



- NOTES:
1. ALL DIMENSIONS ARE FOR REFERENCE ONLY.
 2. USE SET SCREW TO FIX MPO ADAPTER IN THE REQUIRED POSITION: -35°, 0° OR +35°.
 3. SWIVEL ADAPTER IS ALSO AVAILABLE AS LC, MU AND SC VERSIONS.



RECOMMENDED MOUNTING PATTERN



SECTION A-A
SCALE 2.5:1
ADAPTER DUST CAP NOT SHOWN

ENTER DESCRIPTION EC NO: MF2006-0389 DRWN:PGIBLIN CHKD: APPR:IGJMIN	QUALITY SYMBOLS ▽=0 ▽=0	GENERAL TOLERANCES (UNLESS SPECIFIED)		DIMENSION STYLE IN/MM	SCALE 2:1	DESIGN UNITS INCH	THIRD ANGLE PROJECTION
		m	mm	DRAWN BY PGIBLIN	DATE 2005/12/06	TITLE MPO EMI SWIVEL ADAPTER BALL PLUNGER/SET SCREW VERSION	
A	REV	4 PLACES ± ---	± ---	APPROVED BY	DATE	MATERIAL NO. 1061149500	DOCUMENT NO. SD-106114-9500
		3 PLACES ± ---	± ---	DRAFT WHERE APPLICABLE MUST REMAIN WITHIN DIMENSIONS		SIZE C	SHEET NO. 1 OF 1
		2 PLACES ± ---	± ---	THIS DRAWING CONTAINS INFORMATION THAT IS PROPRIETARY TO MOLEX INCORPORATED AND SHOULD NOT BE USED WITHOUT WRITTEN PERMISSION			
		1 PLACE ± ---	± ---				
		ANGULAR ± 1/2°					