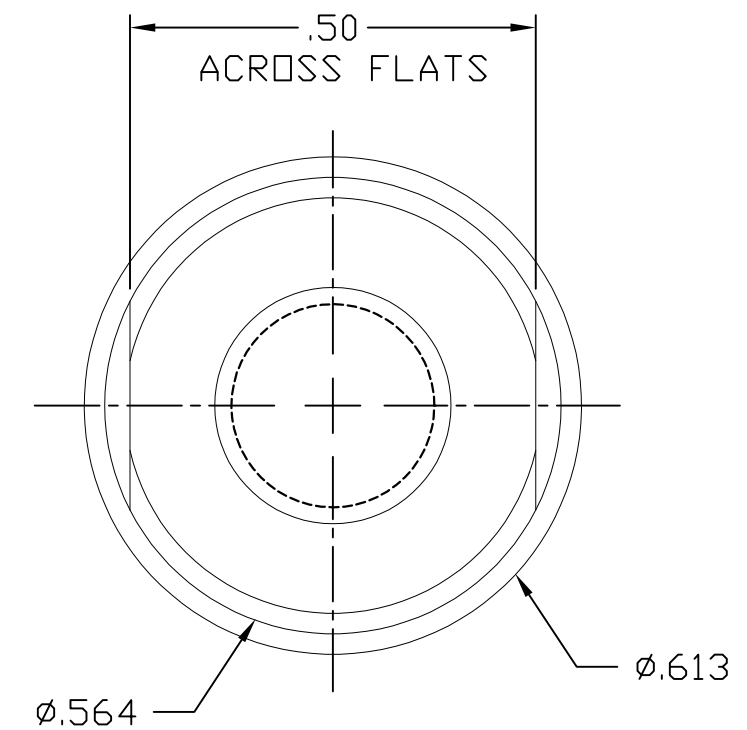
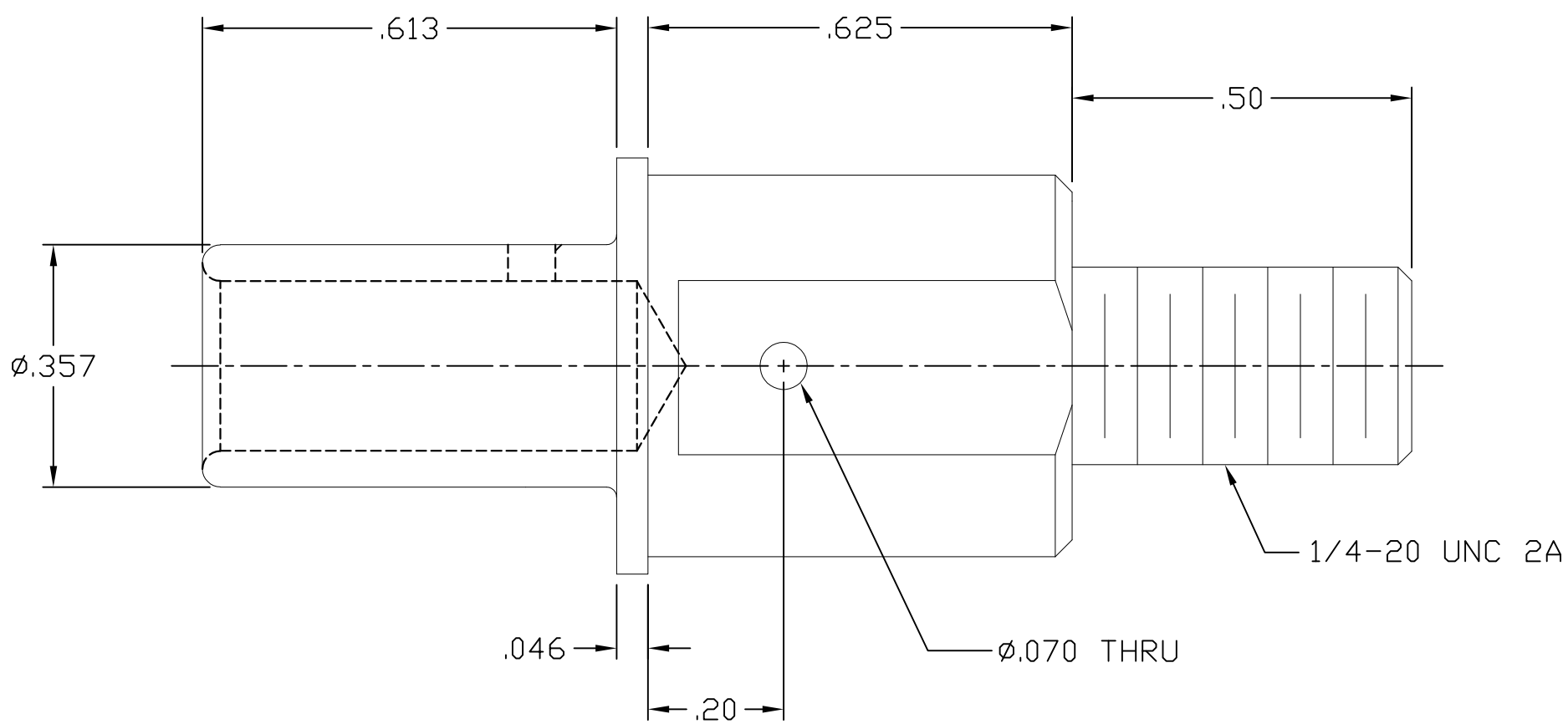


THIS DRAWING IS UNPUBLISHED. RELEASED FOR PUBLICATION
 © COPYRIGHT BY TYCO ELECTRONICS CORPORATION. ALL RIGHTS RESERVED.

LOC GP	DIST 00	REVISIONS			
P	LTR	DESCRIPTION	DATE	DWN	APVD
	C	REV PER ECO-08-000391	8JAN2008	RG	DO



3. FINISHES:
 PIN CONTACT: SILVER PLATE, .000200 MIN THICK
 OVER NICKEL, .000050 MIN THICK
2. MATERIAL:
 PIN CONTACT: COPPER ALLOY.
1. PART NUMBER CHANGES AND OR DESIGN CHANGES AFFECTING
 ITEM INTERCHANGEABILITY REQUIRE PRIOR TYCO ELECTRONICS
 APPROVAL AND AUTHORIZATION BY REVISION TO THIS DRAWING.

AS SHOWN	1766270-1
DESCRIPTION	PART NUMBER

THIS DRAWING IS A CONTROLLED DOCUMENT.		DWN RFA/GRZYBOWSKI	3/24/06		Tyco Electronics Corporation Harrisburg, PA 17105-3608	
DIMENSIONS: INCHES		TOLERANCES UNLESS OTHERWISE SPECIFIED:		NAME S.FLICKINGER		
		0 PLC	± -	PRODUCT SPEC		
		1 PLC	± -	APPLICATION SPEC		
		2 PLC	± .02	SIZE		
		3 PLC	± .010	CAGE CODE		
		4 PLC	± -	DRAWING NO		
		ANGLES	± .5	RESTRICTED TO		
MATERIAL		FINISH		WEIGHT		
-		-		-		
CUSTOMER DRAWING				SCALE	SHEET	REV
				4:1	1 OF 1	C