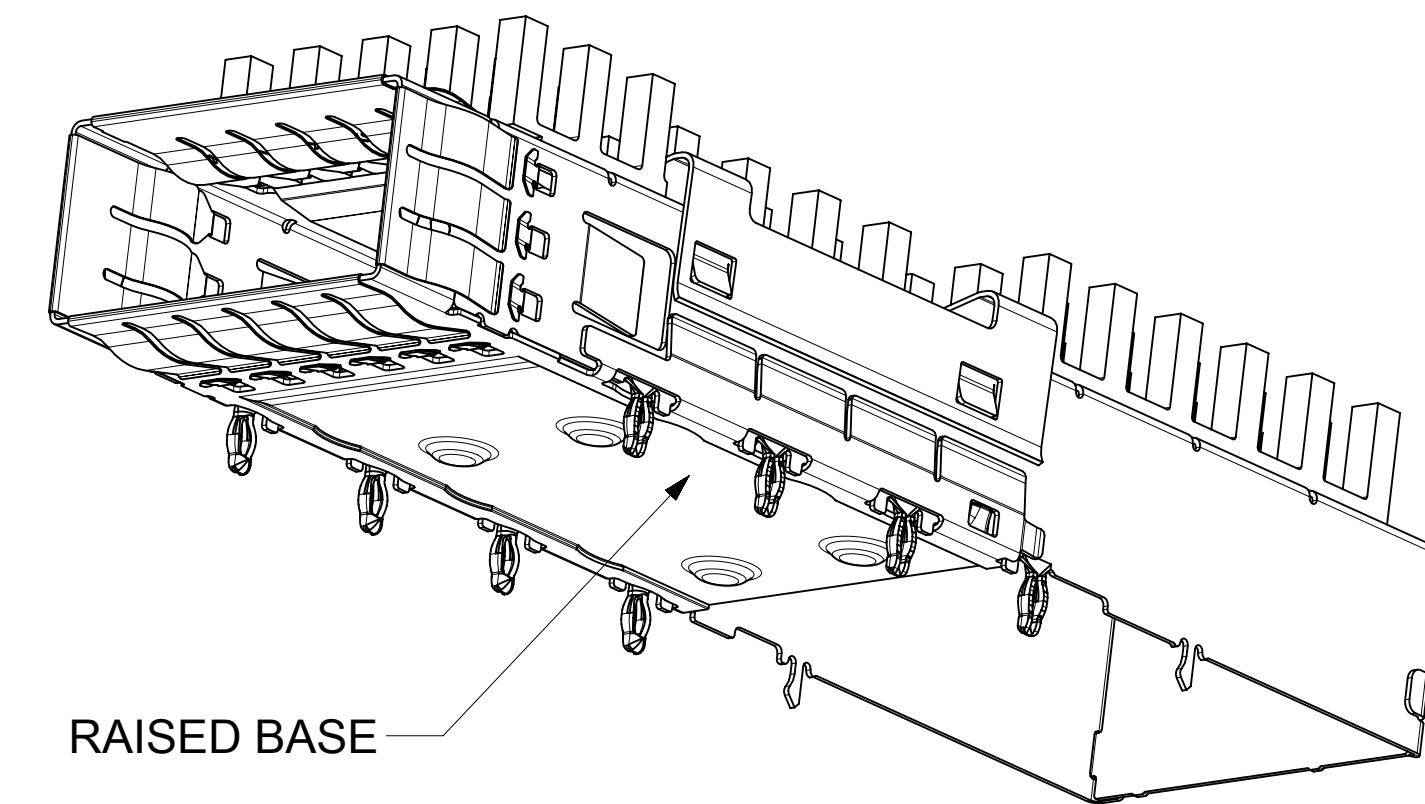
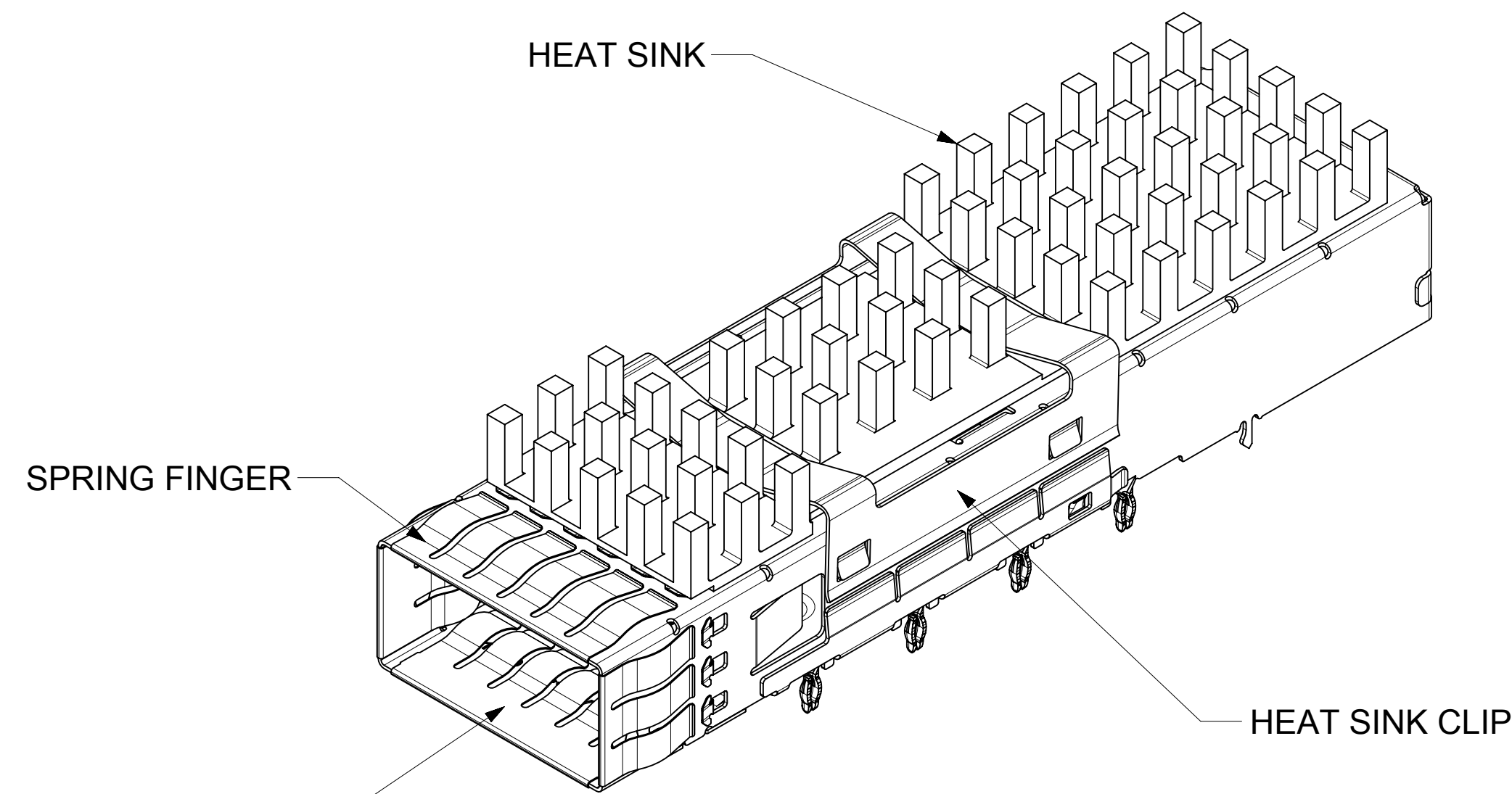
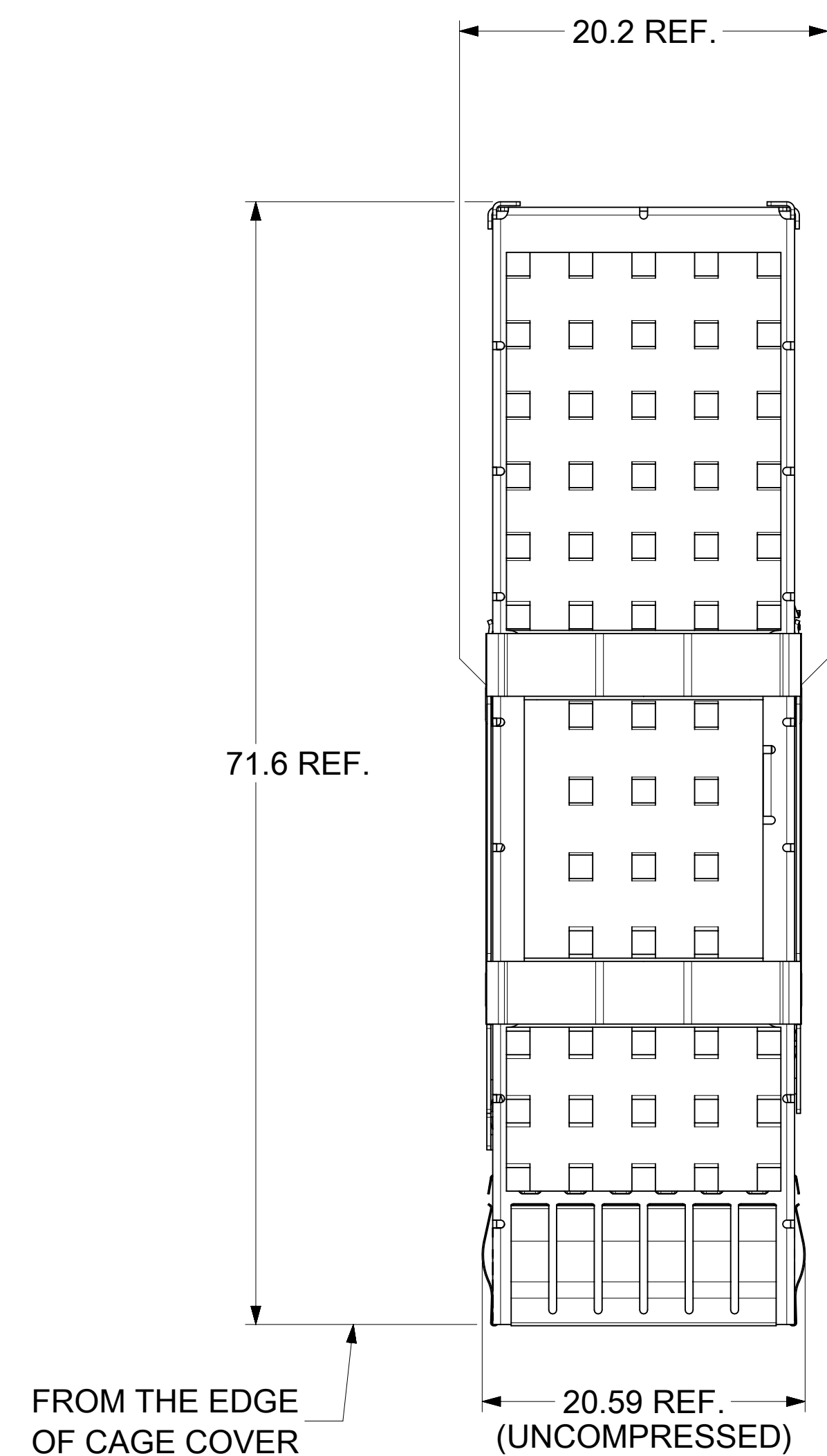


# CAGE DETAIL

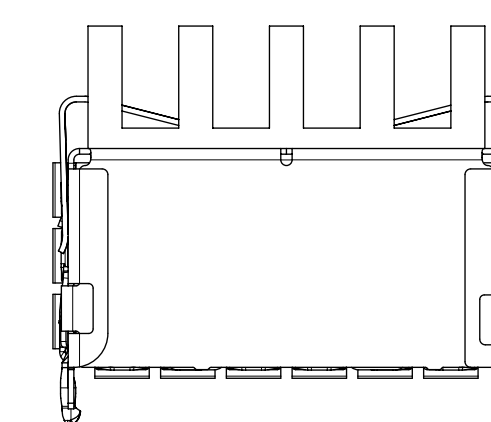
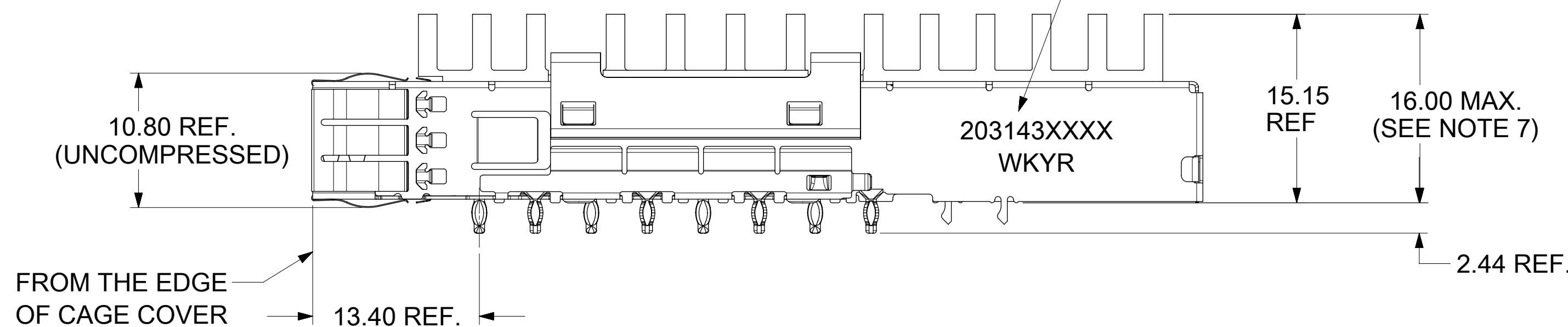
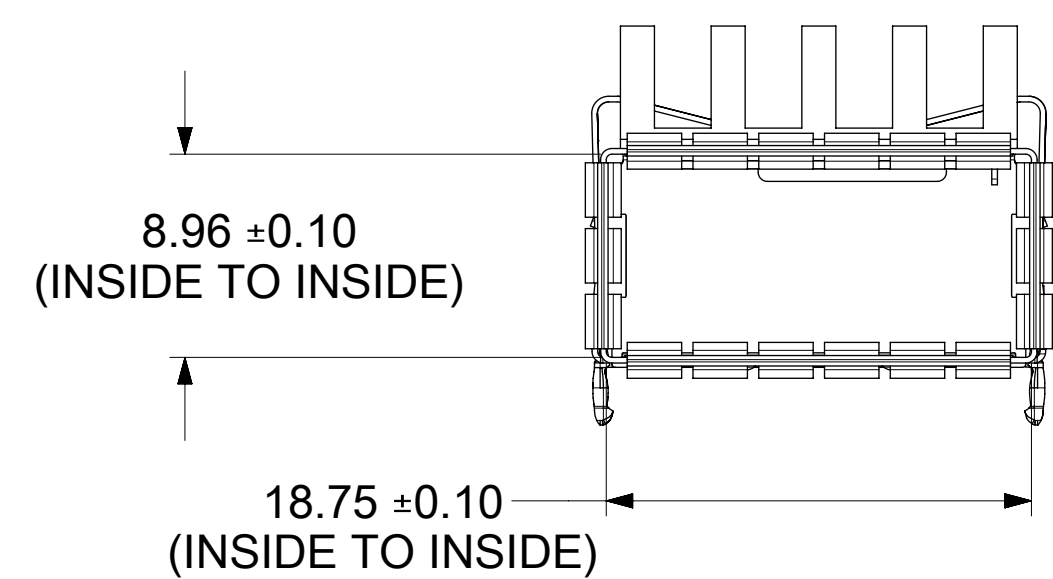
2031432079 AS SHOWN



DIMENSIONS OF EACH INNER CAGE DESIGNED TO FUNCTION WITH QUAD SMALL FORM-FACTOR (zQSFP+ & QSFP-DD) TRANSCEIVER

P/N AND WEEK/YEAR DATE CODE TO BE PRINTED ON SIDE OF COMPLETED CAGE ASSEMBLY APPROXIMATELY AS SHOWN. SEE TABLE BELOW FOR DATE CODE INFORMATION.

WEEK/YEAR DATE CODE TABLE	
WK	WEEK OF THE YEAR 01 THRU 52 OR 53 (EXAMPLE: 01= FIRST WEEK OF YEAR, 52 OR 53 = LAST WEEK OF YEAR)
YR	20, 21, 22 ETC.. (EXAMPLE: YEAR 2020= 20)

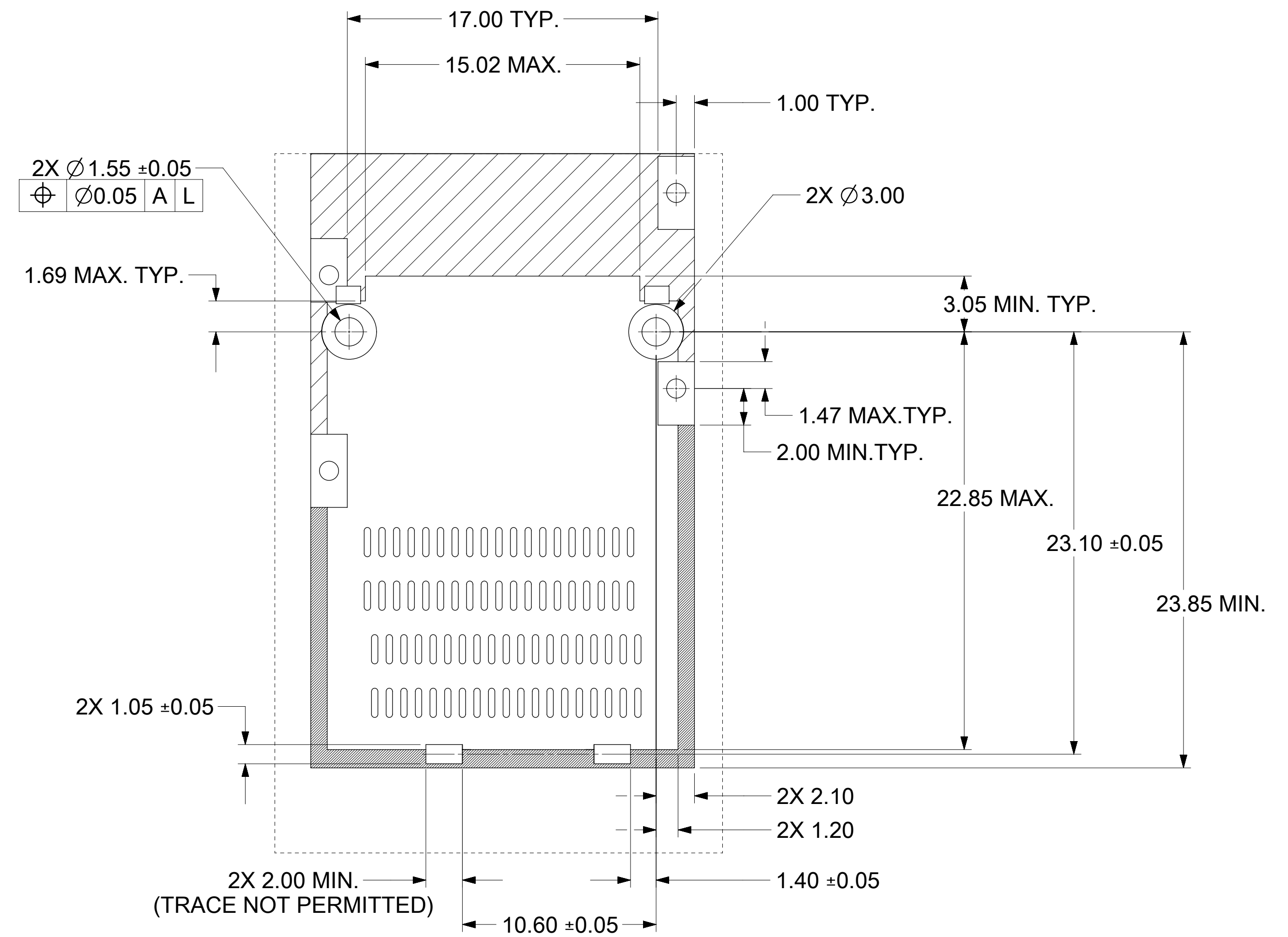
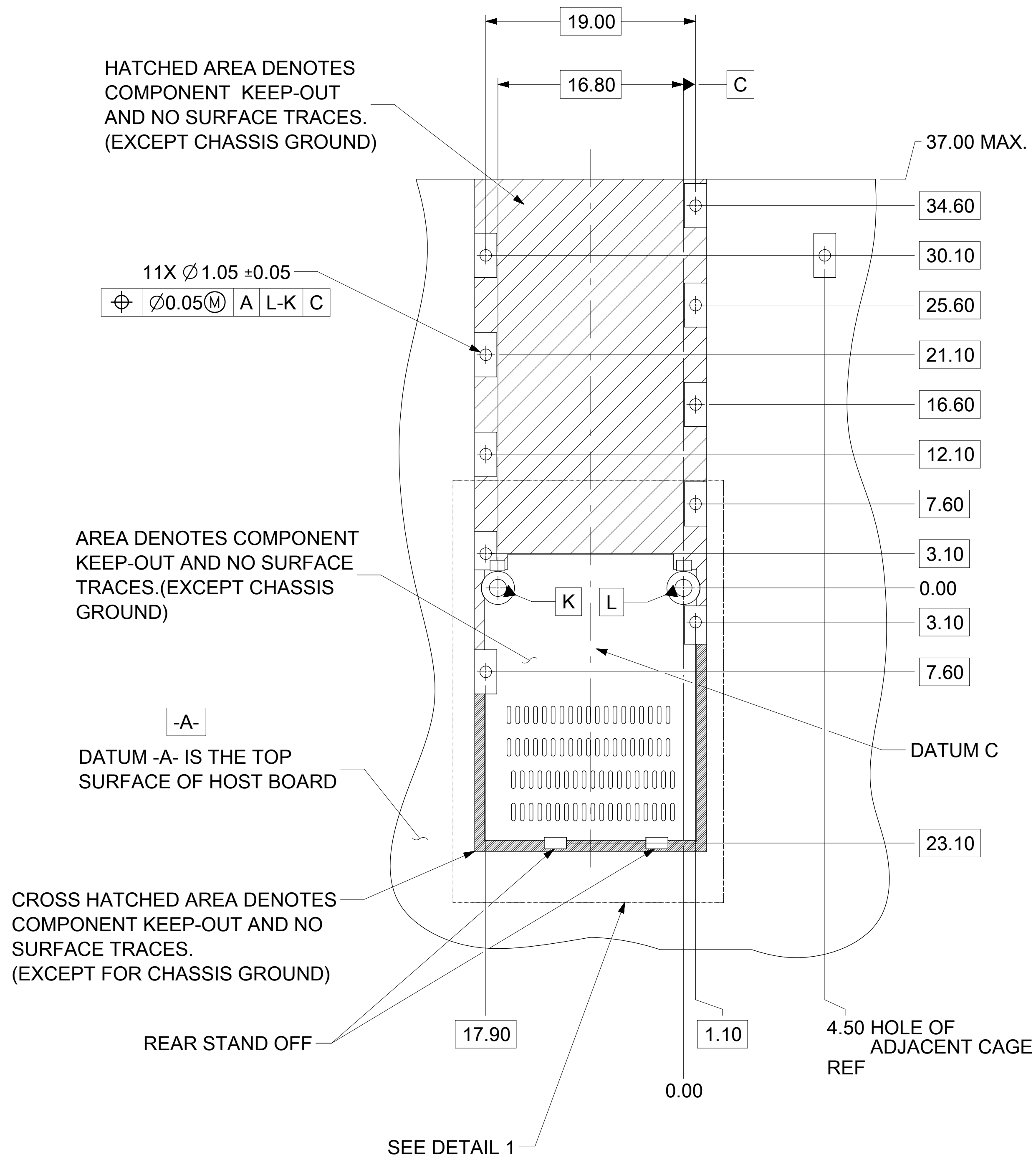


## NOTES:

- MATERIAL: CAGE : STAINLESS STEEL.  
SPRING FINGERS : STAINLESS STEEL.  
HEAT SINK : ALUMINUM(NICKEL PLATED).  
HEAT SINK CLIP : STAINLESS STEEL.
- DURING FINAL INSPECTION, CAGE LEG LOCATIONS AND STRAIGHTNESS MUST BE CHECKED BY USING APPROPRIATE GO - NO GO GAGE.
- DURING FINAL INSPECTION, CAGE MUST BE INSPECTED TO MAKE SURE LEG CONFIGURATIONS AND PART NUMBERS IS CORRECT.
- PARTS TO BE INSPECTED PER MOLEX COSMETIC SPEC ES-171233-0001.
- PRESS-FIT LEGS 2.44mm LONG -  
1.57mm MINIMUM PCB THICKNESS FOR SINGLE SIDED USE.  
2.70mm MINIMUM PCB THICKNESS FOR BELLY TO BELLY USE.
- NO RoHS EXEMPTIONS.
- HEIGHT OF HEAT SINK WITH MODULE INSERTED, DIMENSION MAY BE LESS DUE TO MODULE.

THIS DRAWING CONTAINS INFORMATION THAT IS PROPRIETARY TO MOLEX ELECTRONIC TECHNOLOGIES, LLC AND SHOULD NOT BE USED WITHOUT WRITTEN PERMISSION									
DIMENSION UNITS	SCALE	CURRENT REV DESC: SEE REVISION TABLE							
mm	3:1	<p>DDQ 1X1 CAGE ASSY, PIN FIN, 0RL</p> <p>PRODUCT CUSTOMER DRAWING</p>							
GENERAL TOLERANCES (UNLESS SPECIFIED)									
ANGULAR TOL	± 2.0°								
4 PLACES	±								
3 PLACES	± 0.13								
2 PLACES	± 0.15								
1 PLACE	± 0.3	EC NO: 667648	2021/05/28		DOCUMENT NUMBER		DOC TYPE	DOC PART	REVISION
0 PLACES	±	DRWN: SCHIEN	2021/05/28		2031432079		PSD	ASY	A
DRAFT WHERE APPLICABLE MUST REMAIN WITHIN DIMENSIONS		THIRD ANGLE PROJECTION	DRAWING	SERIES	MATERIAL NUMBER	CUSTOMER	SHEET NUMBER		
			D-SIZE	203143	2031432079		1 OF 5		

# PCB LAYOUT FOR SINGLE SIDED MOUNTING



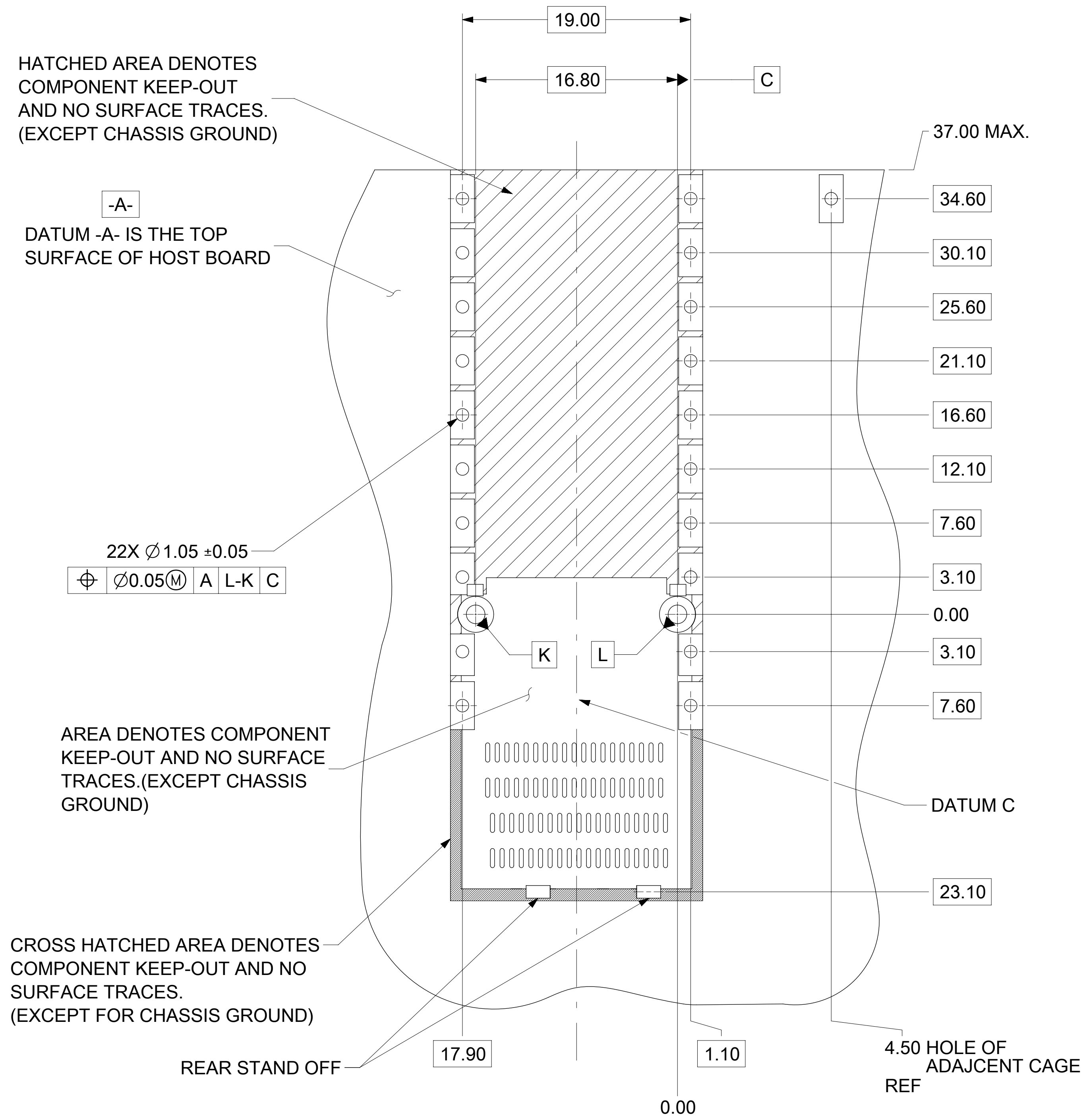
DETAIL 1  
SCALE 5:1

**NOTES:**

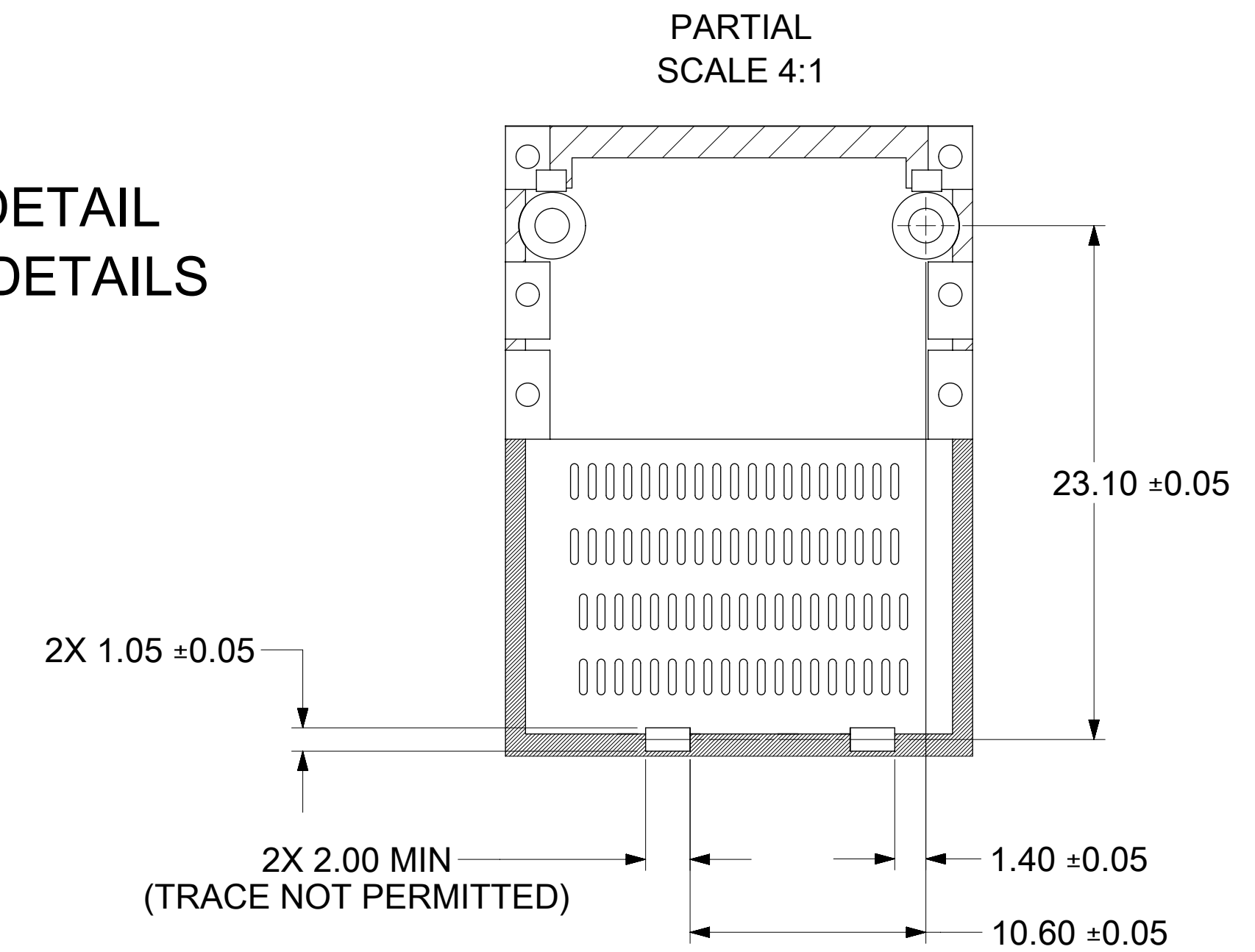
1. PADS AND VIAS GO TO CHASSIS GROUND. (RECOMMENDED PADS TO BE 2.00x4.00mm RECTANGLE.)
2. RECOMMENDED THRU HOLE PLATING INCLUDES HASL, OSP, OR IMMERSION (GOLD, SILVER, OR TIN).
3. CONNECTOR PAD LAYOUT PER QSFP-DD MSA WILL ACCOMMODATE MOLEX CONNECTOR SERIES 202718.

THIS DRAWING CONTAINS INFORMATION THAT IS PROPRIETARY TO MOLEX ELECTRONIC TECHNOLOGIES, LLC AND SHOULD NOT BE USED WITHOUT WRITTEN PERMISSION									
DIMENSION UNITS	SCALE	CURRENT REV DESC: SEE REVISION TABLE							
mm	3.5:1	DDQ 1X1 CAGE ASSY, PIN FIN, 0RL PRODUCT CUSTOMER DRAWING							
GENERAL TOLERANCES (UNLESS SPECIFIED)									
ANGULAR TOL	± 2.0°								
4 PLACES	±								
3 PLACES	± 0.13								
2 PLACES	± 0.15	EC NO: 667648	2021/05/28		DOCUMENT NUMBER		DOC TYPE	DOC PART	REVISION
1 PLACE	± 0.3	DRWN: SCHIEN	2021/05/28		2031432079		PSD	ASY	A
0 PLACES	±	CHK'D: THSU02	2021/06/22		MATERIAL NUMBER		CUSTOMER		SHEET NUMBER
DRAFT WHERE APPLICABLE MUST REMAIN WITHIN DIMENSIONS		APPR: JCHIANG	2021/06/23		SEE SHEET 1				2 OF 5
		THIRD ANGLE PROJECTION	DRAWING	SERIES					
			D-SIZE	203143					

# PCB LAYOUT FOR BELLY TO BELLY MOUNTING



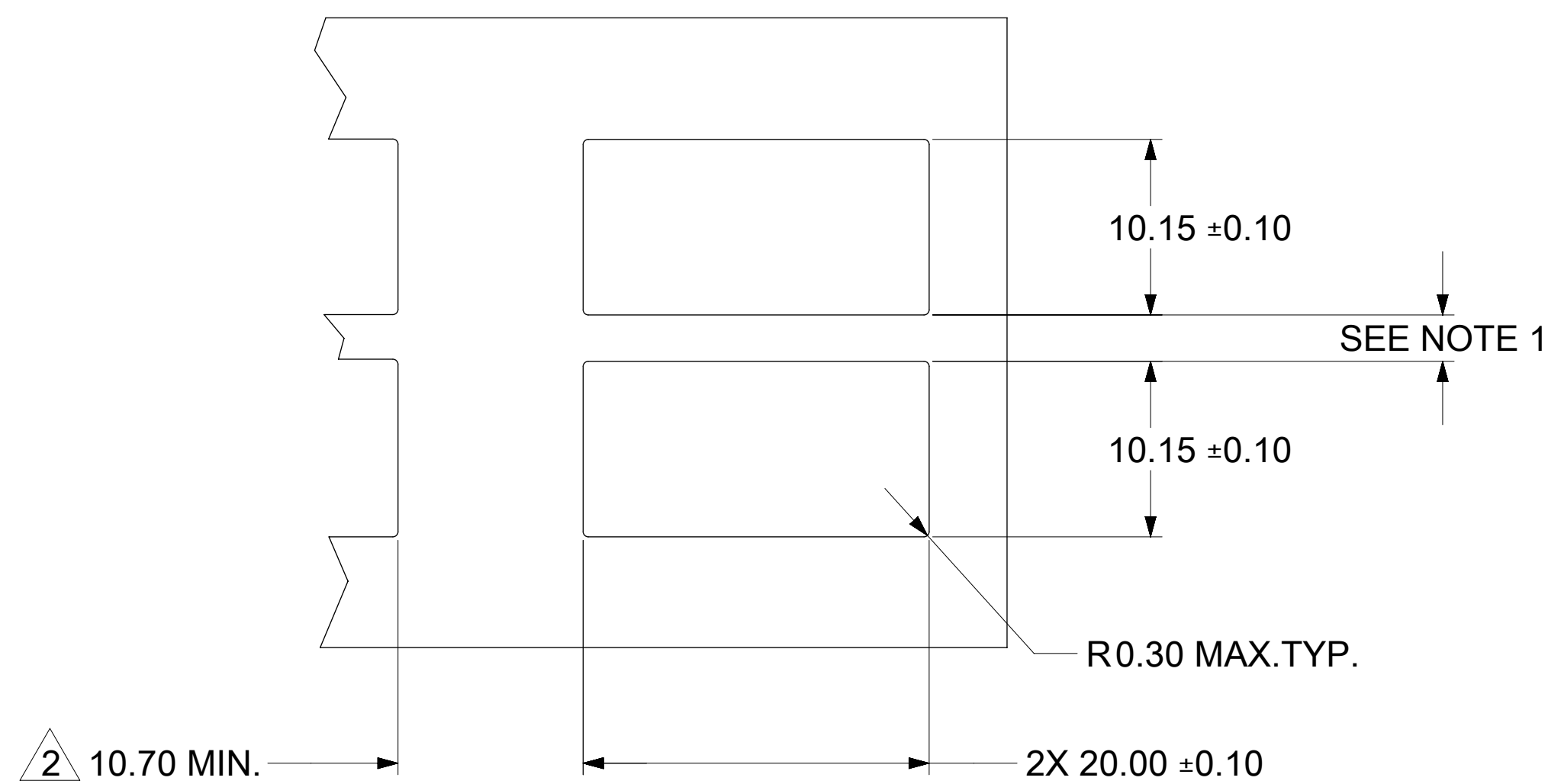
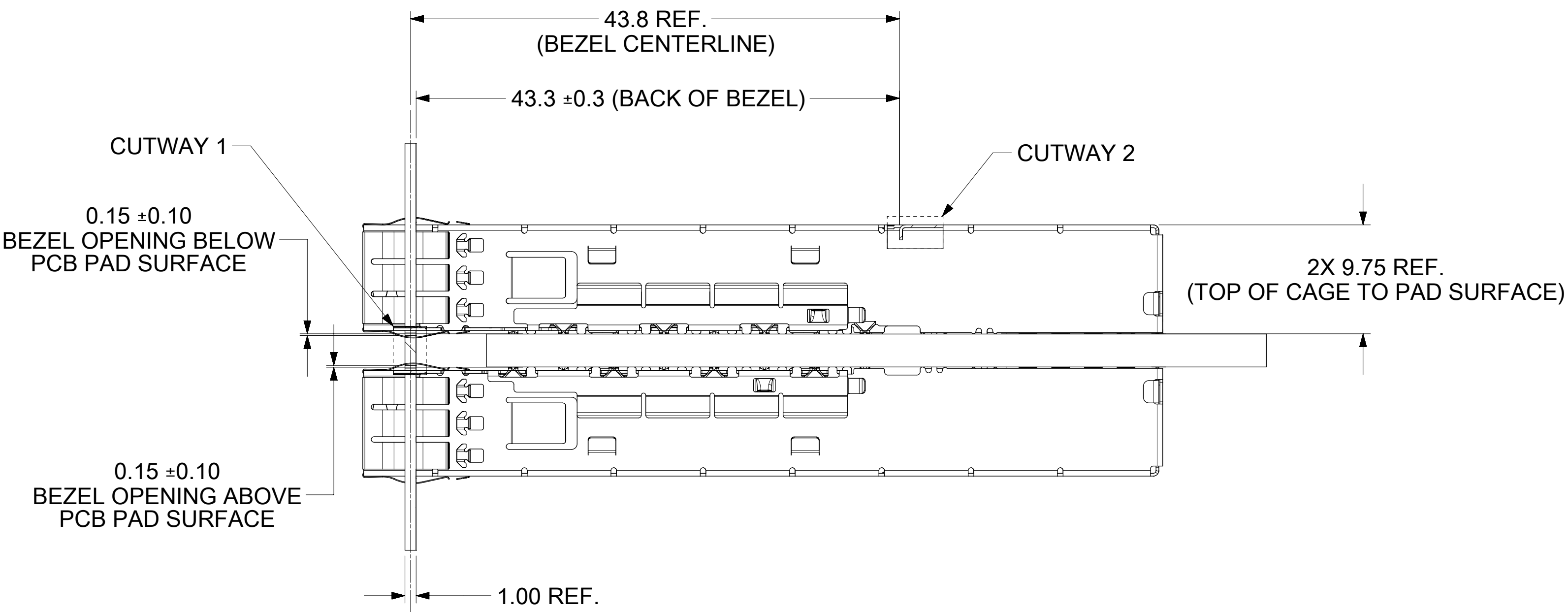
NOTE:  
SEE SHEET 2 FOR  
HOST CONNECTOR DETAIL  
AND LED LOCATION DETAILS



- NOTES:
1. PADS AND VIAS GO TO CHASSIS GROUND. (RECOMMENDED PADS TO BE 2.00x4.00mm RECTANGLE.)
  2. RECOMMENDED THRU HOLE PLATING INCLUDES HASL, OSP, OR IMMERSION (GOLD, SILVER, OR TIN).
  3. CONNECTOR PAD LAYOUT PER QSFP-DD WILL ACCOMMODATE MOLEX CONNECTOR SERIES 202718.

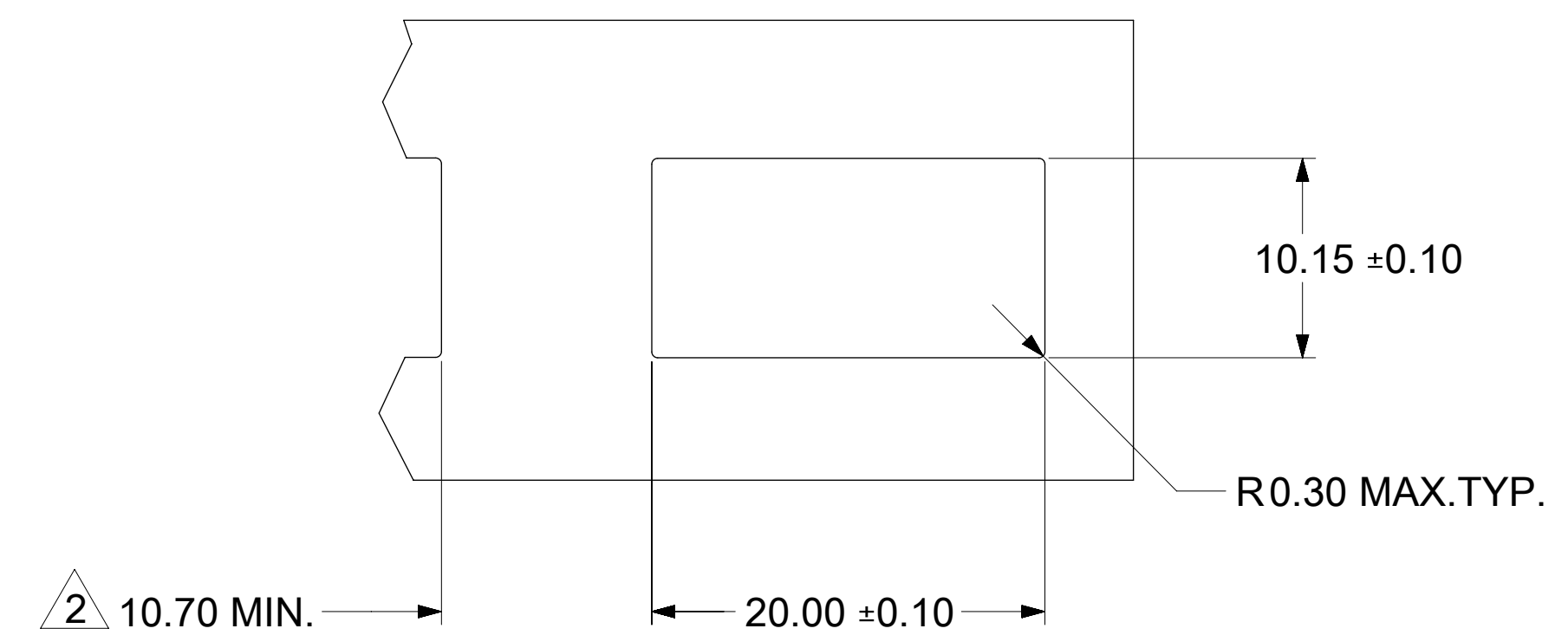
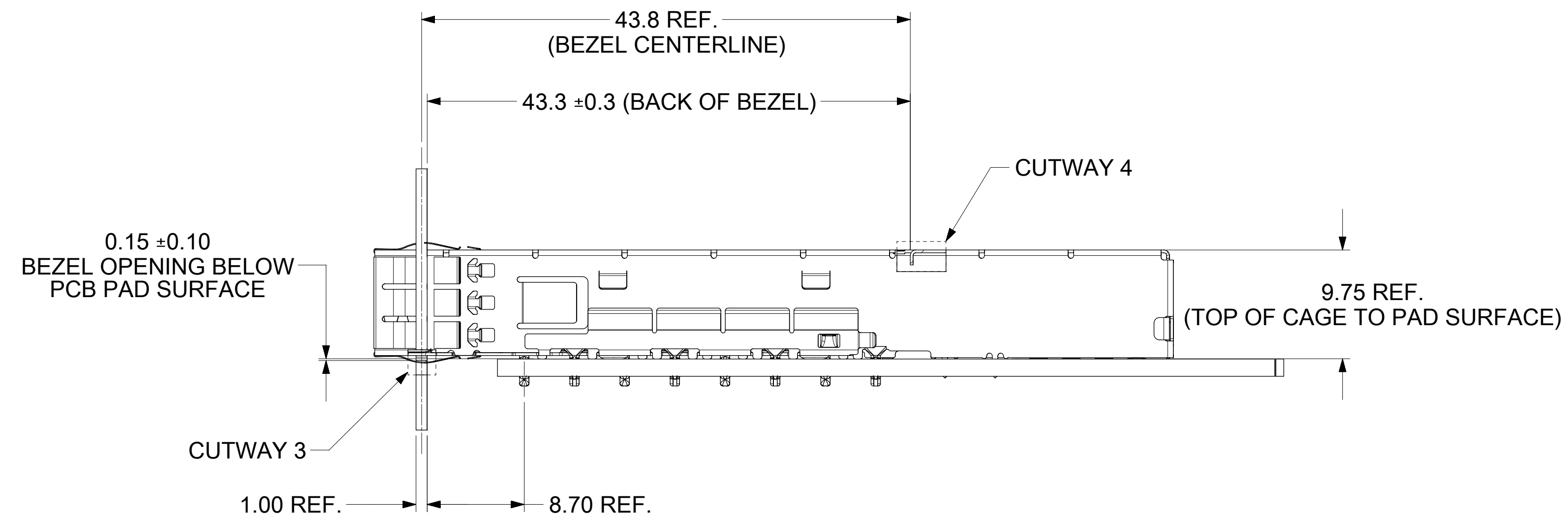
THIS DRAWING CONTAINS INFORMATION THAT IS PROPRIETARY TO MOLEX ELECTRONIC TECHNOLOGIES, LLC AND SHOULD NOT BE USED WITHOUT WRITTEN PERMISSION									
DIMENSION UNITS <b>mm</b>		SCALE <b>4:1</b>		CURRENT REV DESC: SEE REVISION TABLE				<b>molex</b>	
GENERAL TOLERANCES (UNLESS SPECIFIED)				EC NO: 667648					
ANGULAR TOL ± 2.0°		4 PLACES ±		DRWN: SCHIEN		2021/05/28		DDQ 1X1 CAGE ASSY, PIN FIN, 0RL	
3 PLACES ± 0.13		2 PLACES ± 0.15		CHK'D: THSU02		2021/06/22		PRODUCT CUSTOMER DRAWING	
1 PLACE ± 0.3		0 PLACES ±		APPR: JCHIANG		2021/06/23		DOCUMENT NUMBER	
DRAFT WHERE APPLICABLE MUST REMAIN WITHIN DIMENSIONS				THIRD ANGLE PROJECTION		DRAWING		SERIES	
P1		RELEASE DATE		2021/06/23		04:57:47		2031432079	
MATERIAL NUMBER		CUSTOMER		SEE SHEET 1		PSD		ASY	
SHEET NUMBER		3 OF 5		A		A		A	

BEZEL AND BOARD POSITION DIMENSIONS  
FOR BELLY TO BELLY MOUNTING  
(TAKE OFF HEAT SINK FOR CLEAR VIEW)




- NOTES:
- PCB THICKNESS VARIATION MUST BE CONSIDERED WHEN DETERMINING BEZEL OPENING LOCATION.
  - THIS DIMENSION IS FOR REFERENCE ONLY. USER CAN MODIFY IT DEPENDS ON APPLICATION.  
(THIS DIMENSION VARIES BASED ON DISTANCE OF "HOLE OF ADJACENT CAGE" ON PCB LAYOUT.)

BEZEL AND BOARD POSITION DIMENSIONS  
FOR SINGLE SIDE MOUNTING  
(TAKE OFF HEAT SINK FOR CLEAR VIEW)



THIS DRAWING CONTAINS INFORMATION THAT IS PROPRIETARY TO MOLEX ELECTRONIC TECHNOLOGIES, LLC AND SHOULD NOT BE USED WITHOUT WRITTEN PERMISSION											
DIMENSION UNITS	SCALE	CURRENT REV DESC: SEE REVISION TABLE									
mm	3:1	<div style="text-align: center;"><b>molex</b></div> DDQ 1X1 CAGE ASSY, PIN FIN, 0RL PRODUCT CUSTOMER DRAWING									
GENERAL TOLERANCES (UNLESS SPECIFIED)											
ANGULAR TOL	± 2.0°										
4 PLACES	±										
3 PLACES	± 0.13										
2 PLACES	± 0.15										
1 PLACE	± 0.3	EC NO: 667648	DRWN: SCHIEN		2021/05/28		DOCUMENT NUMBER		DOC TYPE	DOC PART	REVISION
0 PLACES	±	INITIAL REVISION:	DRWN: SCHIEN		2021/05/28		2031432079		PSD	ASY	A
DRAFT WHERE APPLICABLE MUST REMAIN WITHIN DIMENSIONS		THIRD ANGLE PROJECTION	DRAWING	SERIES	MATERIAL NUMBER	CUSTOMER	SEE SHEET 1		SHEET NUMBER		
			D-SIZE	203143					4 OF 5		

REV	DATE	DESCRIPTION
A	2021/6/22	INITIAL RELEASE

THIS DRAWING CONTAINS INFORMATION THAT IS PROPRIETARY TO MOLEX ELECTRONIC TECHNOLOGIES, LLC AND SHOULD NOT BE USED WITHOUT WRITTEN PERMISSION																
DIMENSION UNITS		SCALE		CURRENT REV DESC: SEE REVISION TABLE				 DDQ 1X1 CAGE ASSY, PIN FIN, 0RL								
mm		1:1														
GENERAL TOLERANCES (UNLESS SPECIFIED)				EC NO: 667648 DRWN: SCHIEN 2021/05/28 CHK'D: THSU02 2021/06/22 APPR: JCHIANG 2021/06/23 INITIAL REVISION: DRWN: SCHIEN 2021/05/28 APPR: JCHIANG 2021/06/23						DOCUMENT NUMBER						
ANGULAR TOL ± 2.0°		4 PLACES ±								2031432079				DOC TYPE	DOC PART	REVISION
3 PLACES ± 0.13		2 PLACES ± 0.15								PSD				ASY	A	
1 PLACE ± 0.3		0 PLACES ±								SEE SHEET 1				CUSTOMER	SHEET NUMBER	
DRAFT WHERE APPLICABLE MUST REMAIN WITHIN DIMENSIONS										THIRD ANGLE PROJECTION		DRAWING		SERIES		MATERIAL NUMBER
										D-SIZE		203143		5 OF 5		

DOCUMENT STATUS	P1	RELEASE DATE	2021/06/23	04:57:47
-----------------	----	--------------	------------	----------