

MATERIALS AND FINISHES:

BODY, JAM NUT: BRASS
FINISH: SEE TABLE

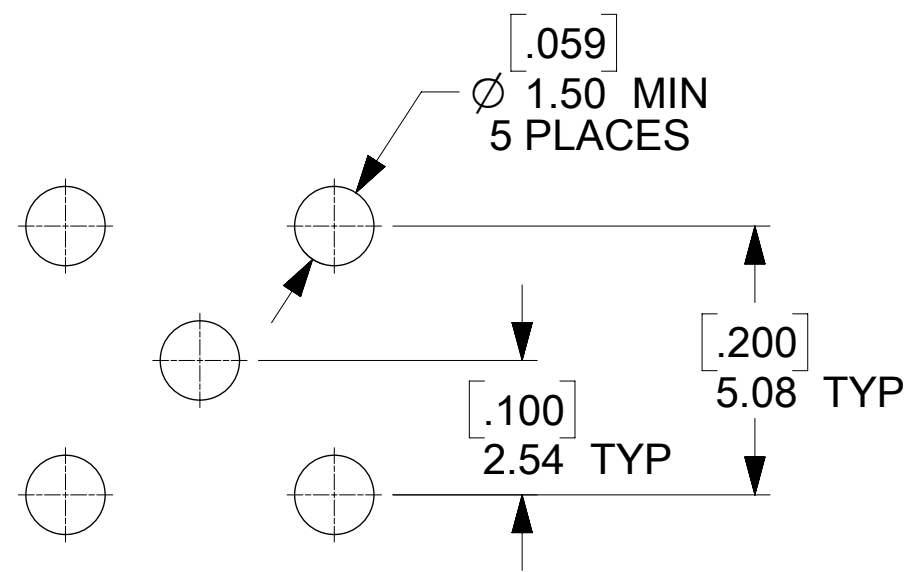
CENTER CONTACT: BERYLLIUM COPPER
PLATED GOLD

INSULATOR: TEFLON

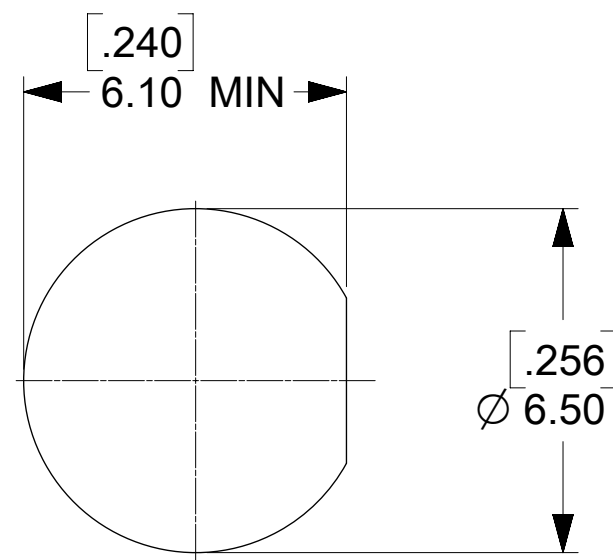
LOCKWASHER: PHOSPHOR BRONZE
FINISH: SEE TABLE

ELECTRICAL REQUIREMENTS:

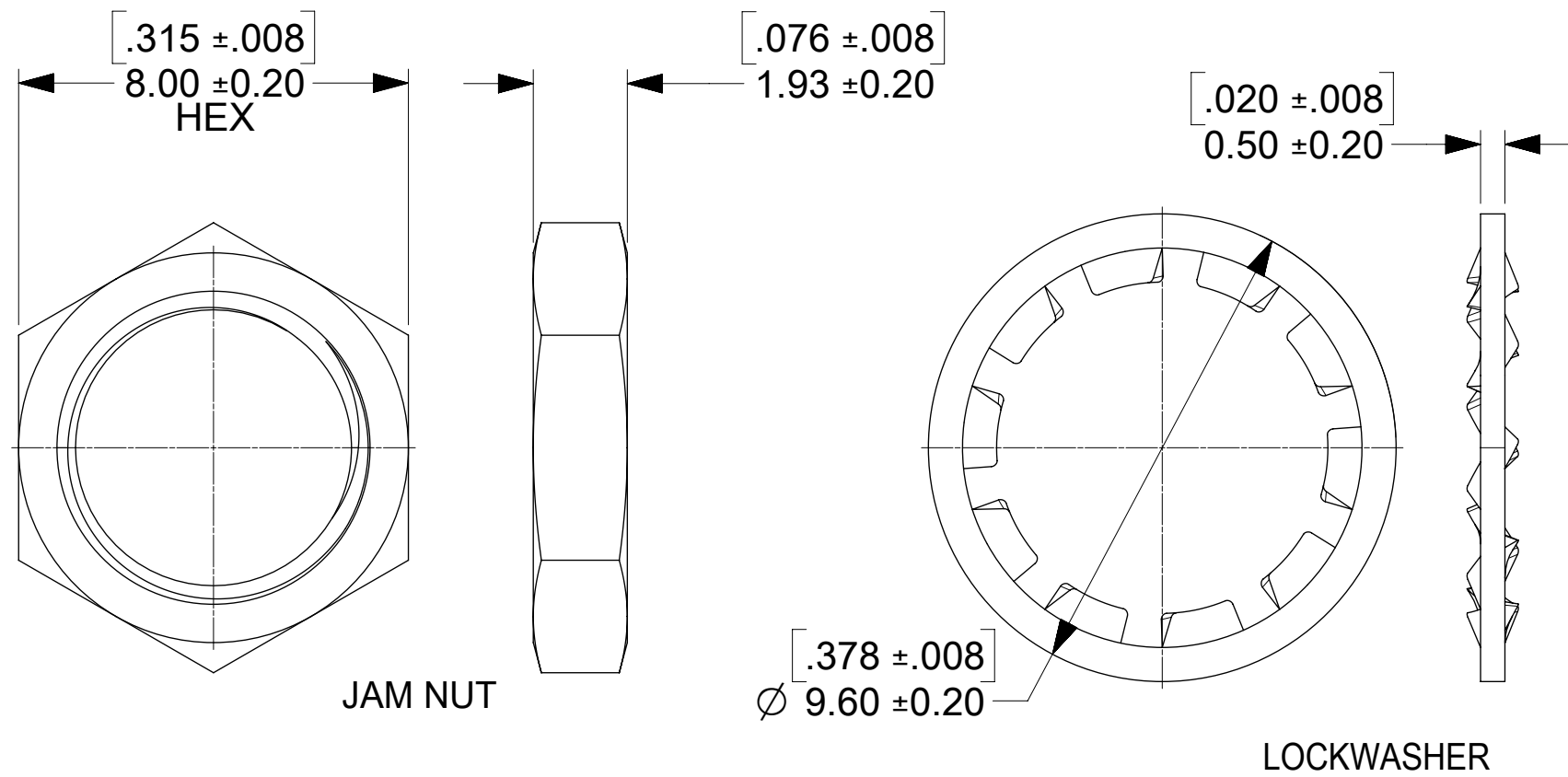
- VOLTAGE STANDING WAVE RATIO
 - 1.1(MAX) @0-6GHz.
 - 1.5(MAX) @6-12GHz.
 - 1.8(MAX) @12-18GHz.
- RF INSERTION LOSS:
 - 0.1(MAX) @0-6GHz.
 - 0.4(MAX) @6-12GHz.
 - 0.7(MAX) @12-18GHz.



RECOMMENDED PCB LAYOUT



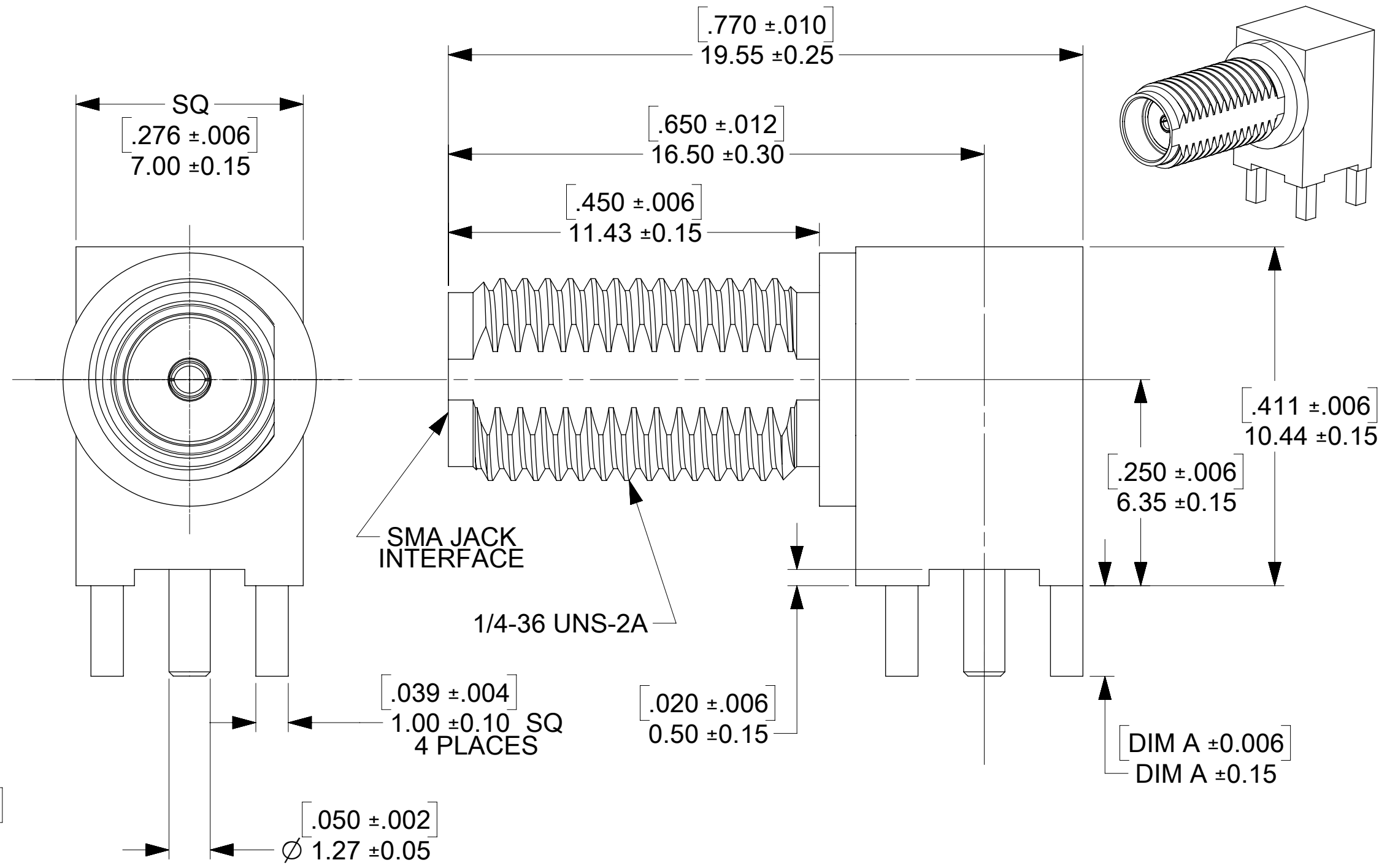
RECOMMENDED PANEL CUTOUT



JAM NUT

LOCKWASHER

PS-89675-368	SOLDER SPEC PROFILE
PS-89675-346	ELECTRO/MECH PERFORM.
SPECIFICATION	DESCRIPTION



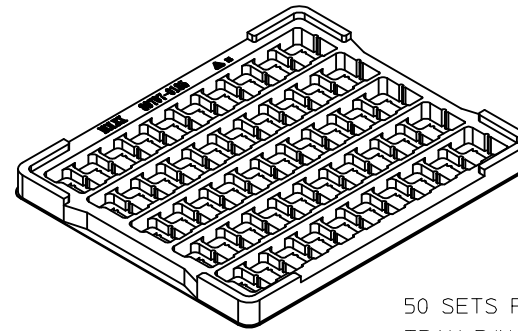
SEE SD-73251-496 FOR PART NO. CONTINUATION

73251-2209	GOLD FLASH / STANDARD TRAY	3.94	.155
73251-2208	GOLD FLASH/STANDARD TRAY W/O WASHER AND NUT	3.94	.155
73251-2207	73251-2201 PACKAGED ONE PER BAG	2.79	.110
73251-2206	SAME AS 73251-2201 EXCEPT COMMERCIAL CONTACT	2.79	.110
73251-2205	SAME AS 73251-2200 EXCEPT COMMERCIAL CONTACT	2.79	.110
73251-2204	GOLD FLASH/STANDARD TRAY W/O WASHER AND NUT	2.79	.110
73251-2203	GOLD FLASH / STANDARD TRAY (54 CAVITY)	2.79	.110
73251-2202	73251-2201 PACKAGED IN SMALL TRAY (20 CAVITY)	2.79	.110
73251-2201	GOLD / STANDARD TRAY	2.79	.110
73251-2200	NICKEL / STANDARD TRAY	2.79	.110
PART NO.	PLATING (BODY, NUT, LOCKWASHER) AND PACKAGING	mm	IN
		DIM A	

FUNCTIONAL SYMBOLS FA = 0 FC = 0 FP = 0	THIS DRAWING CONTAINS INFORMATION THAT IS PROPRIETARY TO MOLEX ELECTRONIC TECHNOLOGIES, LLC AND SHOULD NOT BE USED WITHOUT WRITTEN PERMISSION			
	DIMENSION UNITS mm	SCALE NTS		
DIVISIONAL SYMBOLS	GENERAL TOLERANCES (UNLESS SPECIFIED)		EC NO: 675413	
	ANGULAR TOL ± °		DRWN: CWEI02 2021/08/24	
4 PLACES ±		CHK'D: YCHENG 2021/08/26		
3 PLACES ±		APPR: YCHENG 2021/08/26		
2 PLACES ±		INITIAL REVISION:		
1 PLACE ±		DRWN: AROBERTSON 2012/11/21		
0 PLACES ±		APPR: JWIENER 2012/11/21		
DRAFT WHERE APPLICABLE MUST REMAIN WITHIN DIMENSIONS		THIRD ANGLE PROJECTION	DRAWING C-SIZE	SERIES 73251
DOCUMENT STATUS P1	RELEASE DATE 2021/08/26 10:31:44	MATERIAL NUMBER SEE TABLE	CUSTOMER GENERAL MARKET	SHEET NUMBER 1 OF 1
		PRODUCT CUSTOMER DRAWING		DOCUMENT NUMBER SD-73251-220
				DOC TYPE PSD
				DOC PART 000
				REVISION D14

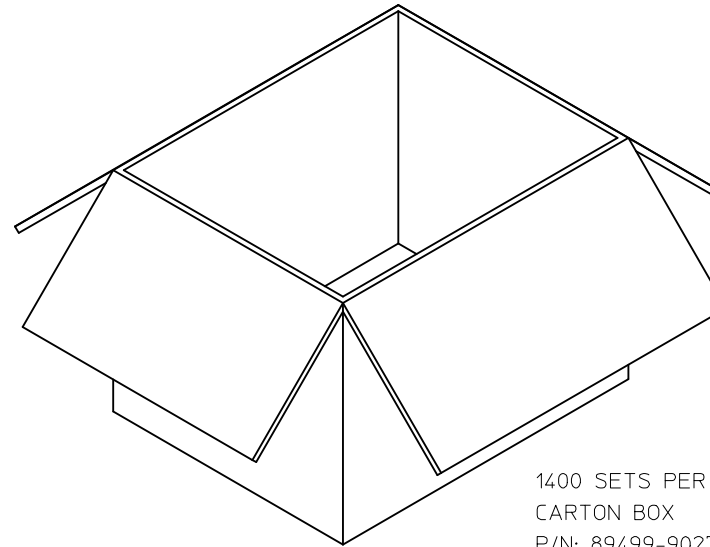


P/N: 73251-2200 / 73251-2201
 73251-2205 / 73251-2206
 73251-2208 / 73251-2209



50 SETS PER TRAY
 TRAY P/N: 89707-0185

FOR 73251-2200, 73251-2201,
 73251-2205, 73251-2206,
 73251-2208, AND 73251-2209

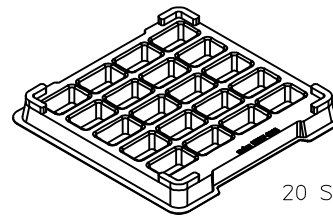


1400 SETS PER OUTER
 CARTON BOX
 P/N: 89499-9027

CHG NEW RELEASE PER RF13-E131 EC NO: URF2013-0734 DRAWN BY: RYEH 2013/06/28 CHKD: KERRIE APPR: MHUANG 2013/07/26	QUALITY SYMBOLS = 0 = 0 = 0	GENERAL TOLERANCES (UNLESS SPECIFIED)	DIMENSION STYLE MM/IN	SCALE 2.5:1	DESIGN UNITS METRIC	THIRD ANGLE PROJECTION																															
	REV: A	<table border="1"> <thead> <tr> <th></th> <th>mm</th> <th>INCH</th> </tr> </thead> <tbody> <tr> <td>4 PLACES</td> <td>± .005</td> <td>± .0005</td> </tr> <tr> <td>3 PLACES</td> <td>± .005</td> <td>± .0005</td> </tr> <tr> <td>2 PLACES</td> <td>± .005</td> <td>± .0005</td> </tr> <tr> <td>1 PLACE</td> <td>± .005</td> <td>± .0005</td> </tr> <tr> <td>0 PLACE</td> <td>± .005</td> <td>± .0005</td> </tr> </tbody> </table>		mm	INCH	4 PLACES	± .005	± .0005	3 PLACES	± .005	± .0005	2 PLACES	± .005	± .0005	1 PLACE	± .005	± .0005	0 PLACE	± .005	± .0005	<table border="1"> <thead> <tr> <th>DRAWN BY</th> <th>DATE</th> </tr> </thead> <tbody> <tr> <td>RYEH</td> <td>2013/06/28</td> </tr> <tr> <th>CHECKED BY</th> <th>DATE</th> </tr> <tr> <td>KERRIE</td> <td>2013/06/28</td> </tr> <tr> <th>APPROVED BY</th> <th>DATE</th> </tr> <tr> <td>MHUANG</td> <td>2013/07/26</td> </tr> </tbody> </table>	DRAWN BY	DATE	RYEH	2013/06/28	CHECKED BY	DATE	KERRIE	2013/06/28	APPROVED BY	DATE	MHUANG	2013/07/26	TITLE SMA JACK R/A PCB TH 50 OHMS SMA-J/PCB	MATERIAL NO. SEE TABLE	DOCUMENT NO. SD-73251-220-PKG	SHEET NO. 1 OF 4
		mm	INCH																																		
	4 PLACES	± .005	± .0005																																		
3 PLACES	± .005	± .0005																																			
2 PLACES	± .005	± .0005																																			
1 PLACE	± .005	± .0005																																			
0 PLACE	± .005	± .0005																																			
DRAWN BY	DATE																																				
RYEH	2013/06/28																																				
CHECKED BY	DATE																																				
KERRIE	2013/06/28																																				
APPROVED BY	DATE																																				
MHUANG	2013/07/26																																				
DRAFT WHERE APPLICABLE MUST REMAIN WITHIN DIMENSIONS		THIS DRAWING CONTAINS INFORMATION THAT IS PROPRIETARY TO MOLEX INCORPORATED AND SHOULD NOT BE USED WITHOUT WRITTEN PERMISSION																																			
molex																																					

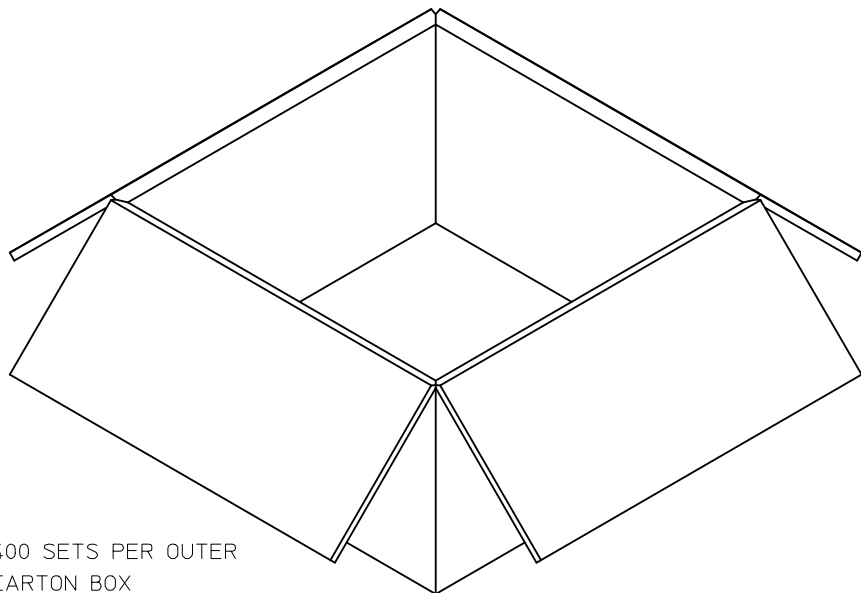


P/N: 73251-2202

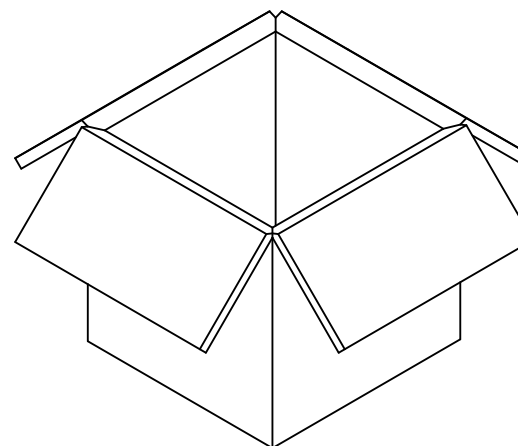


20 SETS PER TRAY
TRAY P/N: 89707-0308

FOR 73251-2202 ONLY



400 SETS PER OUTER
CARTON BOX
P/N: 96707-0002



200 SETS PER INNER
CARTON BOX
P/N: 96707-0005

CHG:SEE SHEET 1
EC NO: URF2013-0734
DRAWN:RYEH
CHKD:
APPR:MHUANG

2013/06/28
2013/07/26

DESCRIPTION

REV	DESCRIPTION	QUALITY SYMBOLS
A		▽=0
		▽=0
		▽=0

GENERAL TOLERANCES (UNLESS SPECIFIED)

	mm	INCH
4 PLACES	± ---	± ---
3 PLACES	± ---	± ---
2 PLACES	± ---	± ---
1 PLACE	± ---	± ---
0 PLACE	± ---	± ---

ANGULAR ± 2 °

DRAFT WHERE APPLICABLE MUST REMAIN WITHIN DIMENSIONS

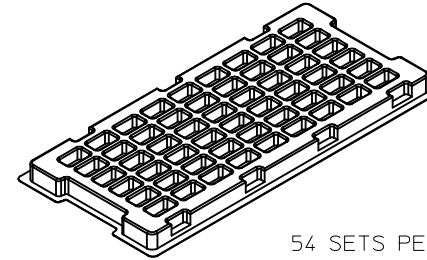
DIMENSION STYLE		SCALE	DESIGN UNITS	THIRD ANGLE PROJECTION
MM/IN		2:1	METRIC	
DRAWN BY	DATE	TITLE		
RYEH	2013/06/28	SMA JACK R/A PCB TH		
CHECKED BY	DATE	50 OHMS		
KERRIE	2013/06/28	SMA-J/PCB		
APPROVED BY	DATE	molex		
MHUANG	2013/07/26	DOCUMENT NO. SD-73251-220-PKG		
MATERIAL NO.	SEE TABLE	SHEET NO. 2 OF 4		
SIZE	C	THIS DRAWING CONTAINS INFORMATION THAT IS PROPRIETARY TO MOLEX INCORPORATED AND SHOULD NOT BE USED WITHOUT WRITTEN PERMISSION		

400 SETS PER OUTER
CARTON BOX
P/N: 96707-0002

200 SETS PER INNER
CARTON BOX
P/N: 96707-0005

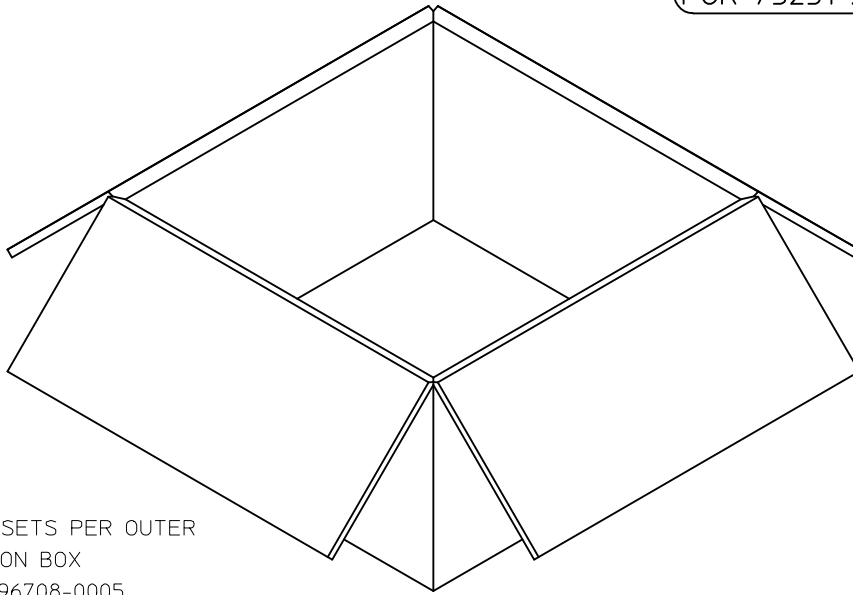


P/N: 73251-2203 / 73251-2204

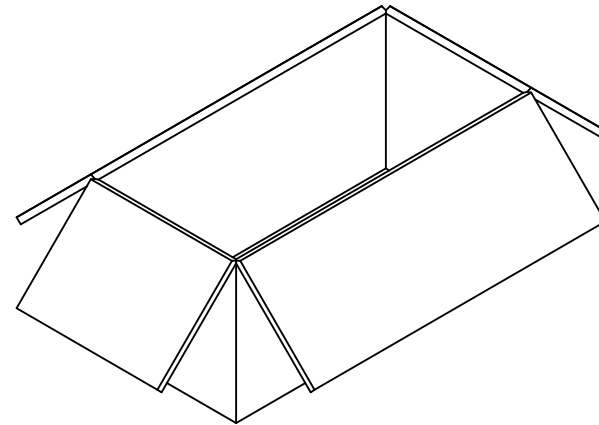


54 SETS PER TRAY
TRAY P/N: 89707-0220

FOR 73251-2203 AND 73251-2204



1080 SETS PER OUTER
CARTON BOX
P/N: 96708-0005



540 SETS PER INNER
CARTON BOX
P/N: 96707-0001

CHG:SEE SHEET 1
EC NO: URF2013-0734
DRAWN:RYEH 2013/06/28
CHKD:
APPR:MHUANG 2013/07/26

REV	DESCRIPTION
A	

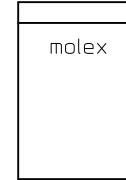
QUALITY SYMBOLS	
	=0
	=0
	=0

GENERAL TOLERANCES (UNLESS SPECIFIED)	
4 PLACES	± ---
3 PLACES	± ---
2 PLACES	± ---
1 PLACE	± ---
0 PLACE	± ---
ANGULAR ± 2 °	

DIMENSION STYLE		SCALE	DESIGN UNITS	THIRD ANGLE PROJECTION
MM/IN		2:1	METRIC	
DRAWN BY	DATE	TITLE		
RYEH	2013/06/28	SMA JACK R/A PCB TH		
CHECKED BY	DATE	50 OHMS		
KERRIE	2013/06/28	SMA-J/PCB		
APPROVED BY	DATE	molex		
MHUANG	2013/07/26	MATERIAL NO.	DOCUMENT NO.	SHEET NO.
		SEE TABLE	SD-73251-220-PKG	3 OF 4
DRAFT WHERE APPLICABLE MUST REMAIN WITHIN DIMENSIONS				
THIS DRAWING CONTAINS INFORMATION THAT IS PROPRIETARY TO MOLEX INCORPORATED AND SHOULD NOT BE USED WITHOUT WRITTEN PERMISSION				

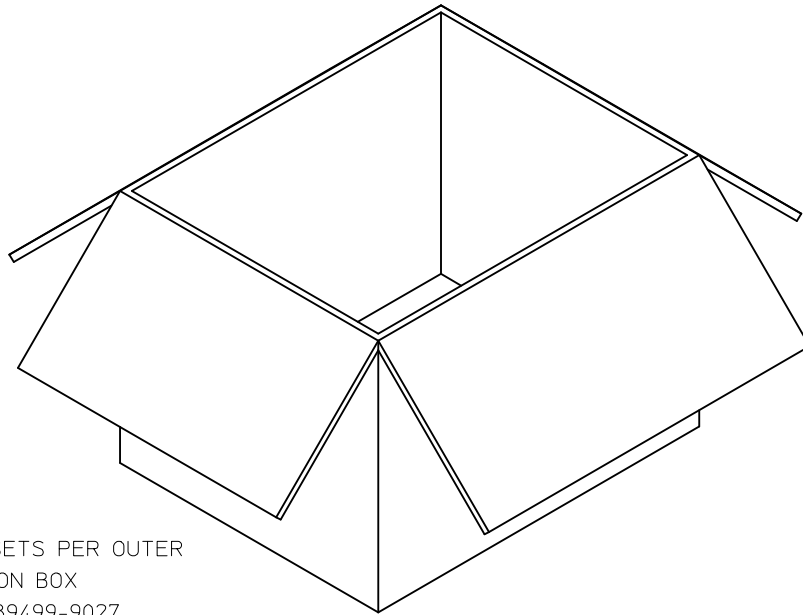


P/N: 73251-2207

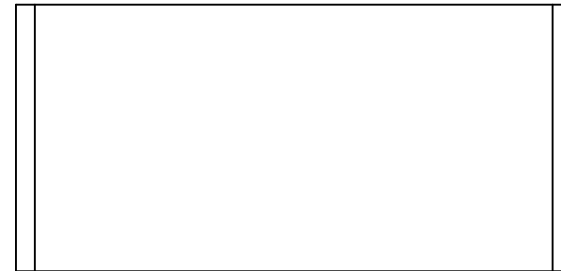


1 SET PER POLYBAG
P/N: 89707-0317

FOR 73251-2207 ONLY



500 SETS PER OUTER
CARTON BOX
P/N: 89499-9027



50 SETS PER POLYBAG
P/N: 89707-0174

CHG:SEE SHEET 1	2013/06/28
EC NO: URF2013-0734	
DRW:RYEH	
CHKD:	
APPR:MHUANG	2013/07/26
REV	DESCRIPTION
A	

QUALITY SYMBOLS
= 0
= 0
= 0

GENERAL TOLERANCES (UNLESS SPECIFIED)	
	mm INCH
4 PLACES	± --- ± ---
3 PLACES	± --- ± ---
2 PLACES	± --- ± ---
1 PLACE	± --- ± ---
0 PLACE	± --- ± ---
ANGULAR ± 2 °	
DRAFT WHERE APPLICABLE MUST REMAIN WITHIN DIMENSIONS	

DIMENSION STYLE	
MM/IN	
DRAWN BY	DATE
RYEH	2013/06/28
CHECKED BY	DATE
KERRIE	2013/06/28
APPROVED BY	DATE
MHUANG	2013/07/26
MATERIAL NO.	
SEE TABLE	

SCALE	DESIGN UNITS	THIRD ANGLE PROJECTION
1:1	METRIC	
TITLE		
SMA JACK R/A PCB TH 50 OHMS SMA-J/PCB		
molex		
MATERIAL NO.	DOCUMENT NO.	SHEET NO.
SD-73251-220-PKG		4 OF 4
THIS DRAWING CONTAINS INFORMATION THAT IS PROPRIETARY TO MOLEX INCORPORATED AND SHOULD NOT BE USED WITHOUT WRITTEN PERMISSION		

MATERIALS AND FINISHES:

BODY, JAM NUT: BRASS
FINISH: SEE TABLE

CENTER CONTACT: BERYLLIUM COPPER
PLATED GOLD

INSULATOR: TEFLON

LOCK WASHER: PHOSPHOR BRONZE
FINISH: SEE TABLE

PACKAGING: SEE TABLE

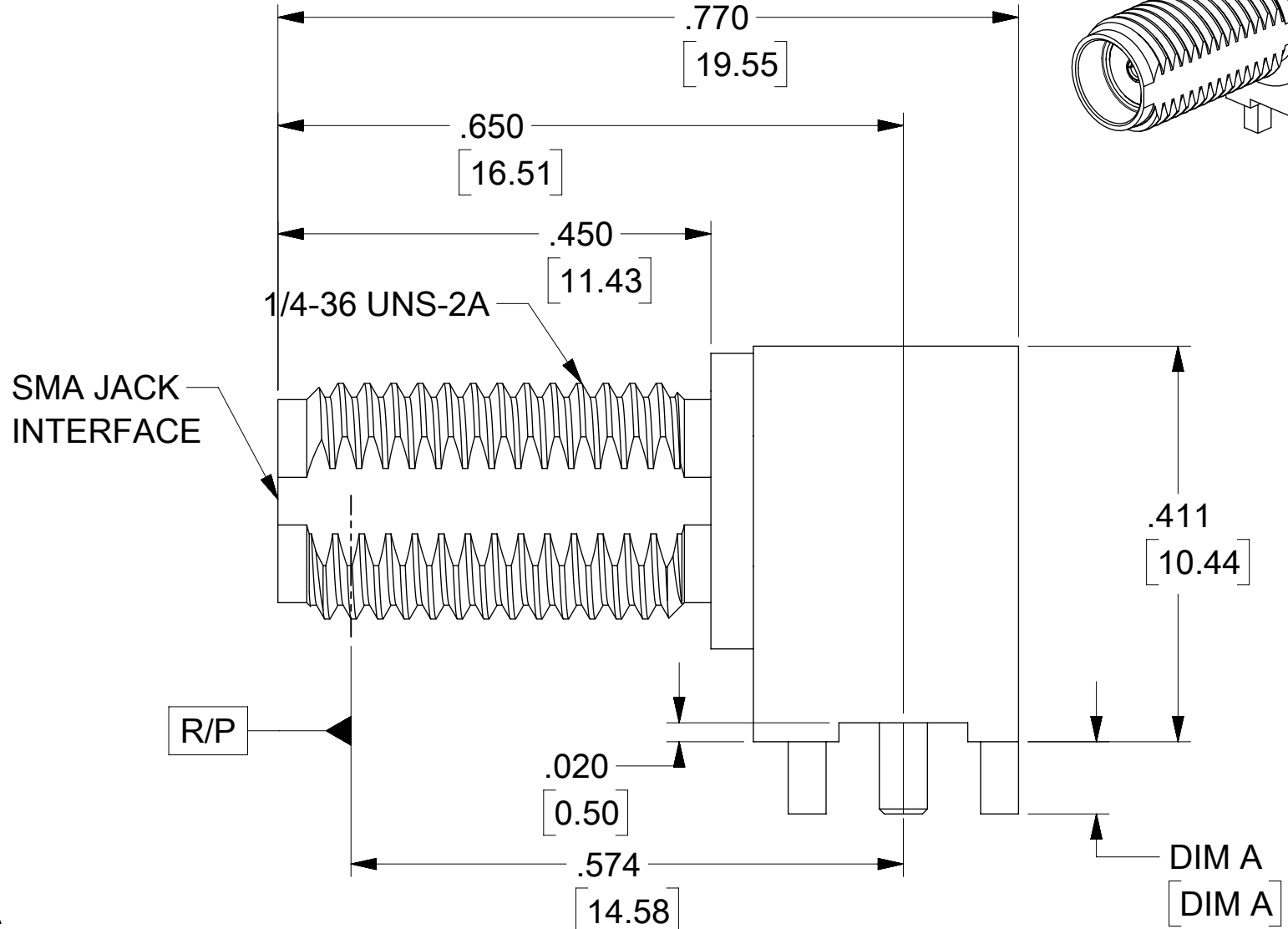
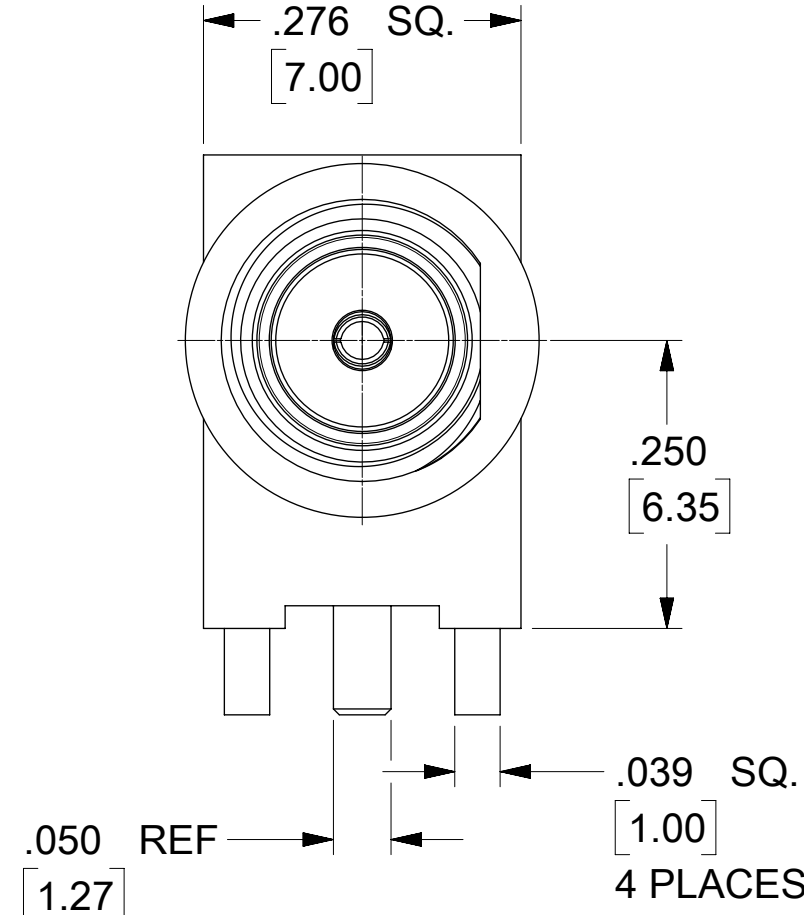
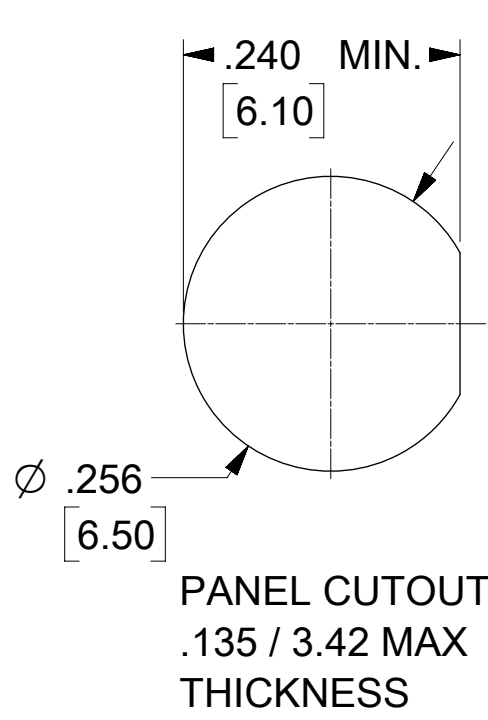
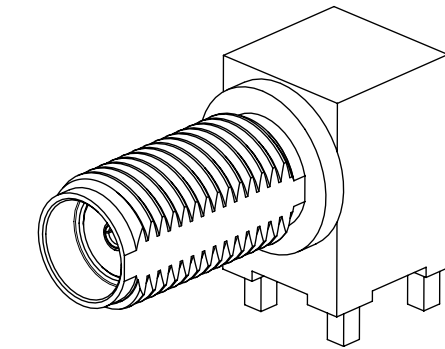
ELECTRICAL REQUIREMENTS:

1. VOLTAGE STANDING WAVE RATIO

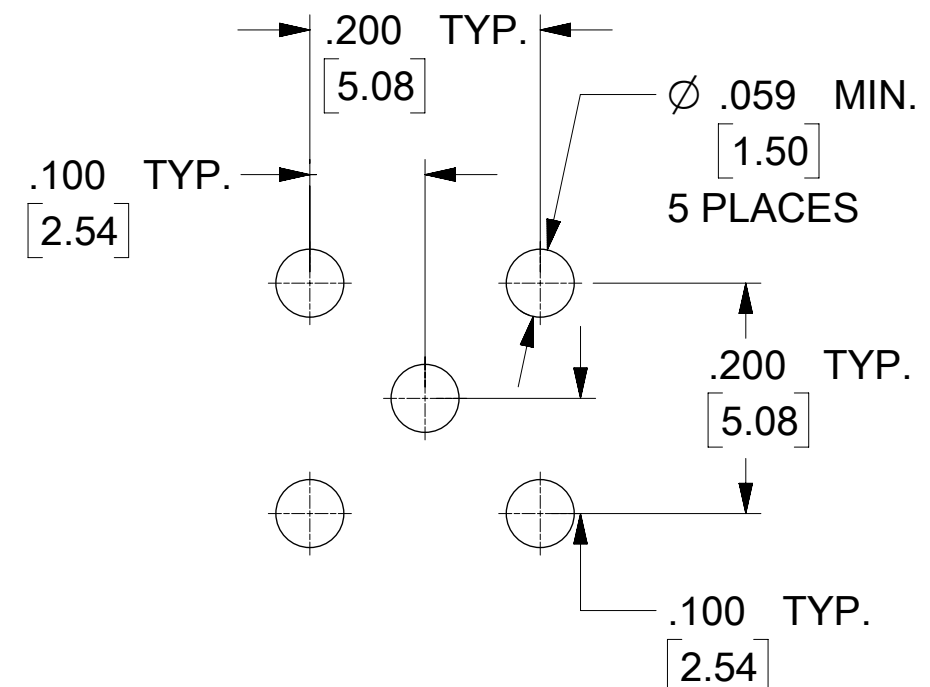
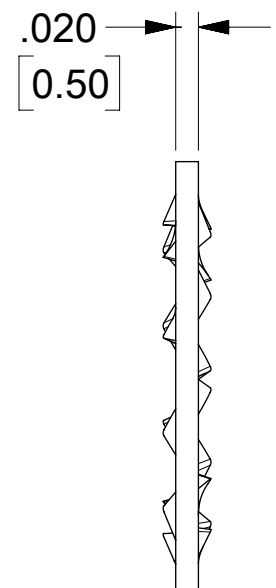
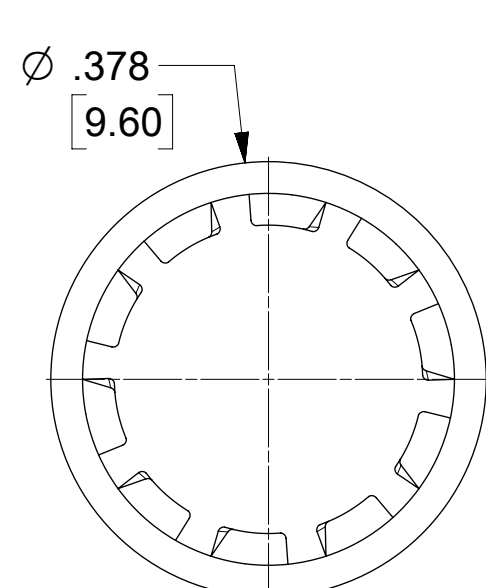
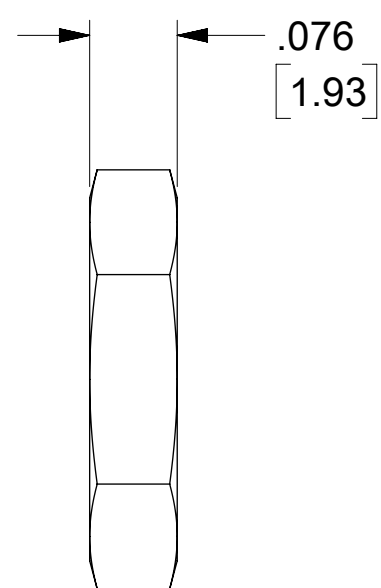
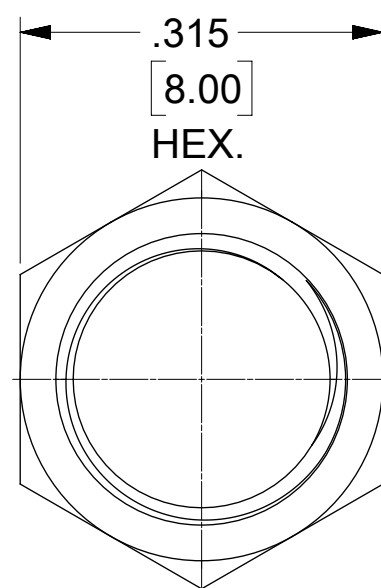
- 1.1(MAX) @0-6GHz.
- 1.5(MAX) @6-12GHz.
- 1.8(MAX) @12-18GHz.

2. RF INSERTION LOSS:

- 0.1(MAX) @0-6GHz.
- 0.4(MAX) @6-12GHz.
- 0.7(MAX) @12-18GHz.



73251-4967	73251-2201 TAPE AND REEL
73251-4966	BAG
73251-4965	TRAY
73251-4964	
73251-4963	
73251-4962	
73251-4961	
73251-4960	
PART NO.	PACKAGING



SD-73251-496 IS CONTINUATION FOR SD-73251-220

JAM NUT

LOCK WASHER

RECOMMENDED PCB LAYOUT

PART NO.	JAM NUT QTY	WASHER QTY	IN / MM	BODY	CONTACT	JAM NUT & LOCK WASHER
73251-4967	1	1	.110 / 2.79	GOLD (5μ-in MIN) OVER NICKEL (50μ-in MIN)	GOLD (30μ-in MIN) OVER NICKEL(100μ-in MIN)	GOLD (1μ-in MIN) OVER NICKEL (50μ-in MIN)
73251-4966	1	1	.110 / 2.79	NICKEL (100μ-in MIN)	GOLD (30μ-in MIN) OVER NICKEL(100μ-in MIN)	NICKEL (100μ-in MIN)
73251-4965	2	1	.110 / 2.79	GOLD (5μ-in MIN) OVER NICKEL (50μ-in MIN)	GOLD (30μ-in MIN) OVER NICKEL(100μ-in MIN)	GOLD (1μ-in MIN) OVER NICKEL (50μ-in MIN)
73251-4964	1	1	.075 / 1.91	GOLD (5μ-in MIN) OVER NICKEL (50μ-in MIN)	GOLD (30μ-in MIN) OVER NICKEL(100μ-in MIN)	GOLD (1μ-in MIN) OVER NICKEL (50μ-in MIN)
73251-4963	NOT INCLUDED	NOT INCLUDED	.110 / 2.79	GOLD (5μ-in MIN) OVER NICKEL (50μ-in MIN)	GOLD (30μ-in MIN) OVER NICKEL(100μ-in MIN)	-----
73251-4962	1	NOT INCLUDED	.110 / 2.79	NICKEL (100μ-in MIN)	GOLD (30μ-in MIN) OVER NICKEL(100μ-in MIN)	NICKEL (100μ-in MIN)
73251-4961	2	1	.155 / 3.94	GOLD (1μ-in MIN) OVER NICKEL (50μ-in MIN)	GOLD (1μ-in MIN) OVER NICKEL (50μ-in MIN)	GOLD (1μ-in MIN) OVER NICKEL (50μ-in MIN)
73251-4960	1	1	.075 / 1.91	GOLD (1μ-in MIN) OVER NICKEL (50μ-in MIN)	GOLD (1μ-in MIN) OVER NICKEL (50μ-in MIN)	GOLD (1μ-in MIN) OVER NICKEL (50μ-in MIN)
	INCLUDED	INCLUDED	DIM A	PLATING	PLATING	PLATING

PS-89675-3460	PRODUCT SPECIFICATION
MIL-STD-348A, FIG. 310.2	INTERFACE
SPECIFICATION	DESCRIPTION

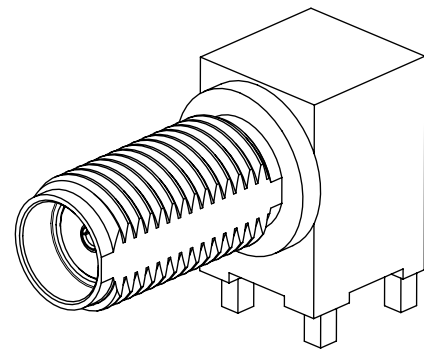
FUNCTIONAL SYMBOLS		THIS DRAWING CONTAINS INFORMATION THAT IS PROPRIETARY TO MOLEX ELECTRONIC TECHNOLOGIES, LLC AND SHOULD NOT BE USED WITHOUT WRITTEN PERMISSION	
FA = 0	DIMENSION UNITS	SCALE	CURRENT REV DESC: ADD P/N 73251-4967 FOR TR PACKAGING PER EWR14716-C
EA = 0	INCH/MM	NTS	
EP = 0	GENERAL TOLERANCES (UNLESS SPECIFIED)		
	ANGULAR TOL	± °	
	4 PLACES	±	EC NO: 737836
	3 PLACES	±	DRWN: CWEI02 2023/02/03
	2 PLACES	±	CHK'D: YCHENG 2023/02/10
	1 PLACE	±	APPR: YCHENG 2023/02/10
	0 PLACES	±	INITIAL REVISION:
			DRWN: AROBERTSON 2012/11/21
			APPR: JWIENER 2012/11/27
DRAFT WHERE APPLICABLE MUST REMAIN WITHIN DIMENSIONS		THIRD ANGLE PROJECTION	DRAWING SERIES
			C-SIZE 73251
DOCUMENT STATUS	P1	RELEASE DATE	2023/02/10 08:51:15
DOCUMENT NUMBER	PSD	CUSTOMER	GENERAL MARKET
DOC TYPE	000	DOC PART	B10
REVISION		SHEET NUMBER	1 OF 6



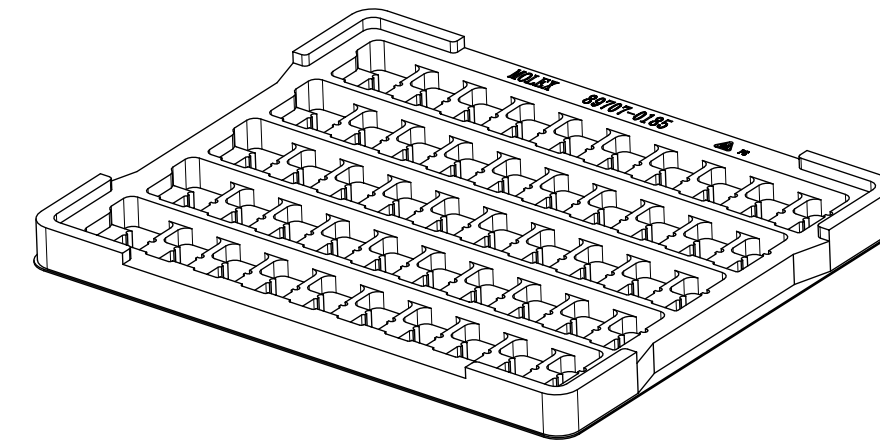
SMA JACK RA
BLKHD RM PCB TH SMA-J/RA/PCB, EWR-2144

PRODUCT CUSTOMER DRAWING

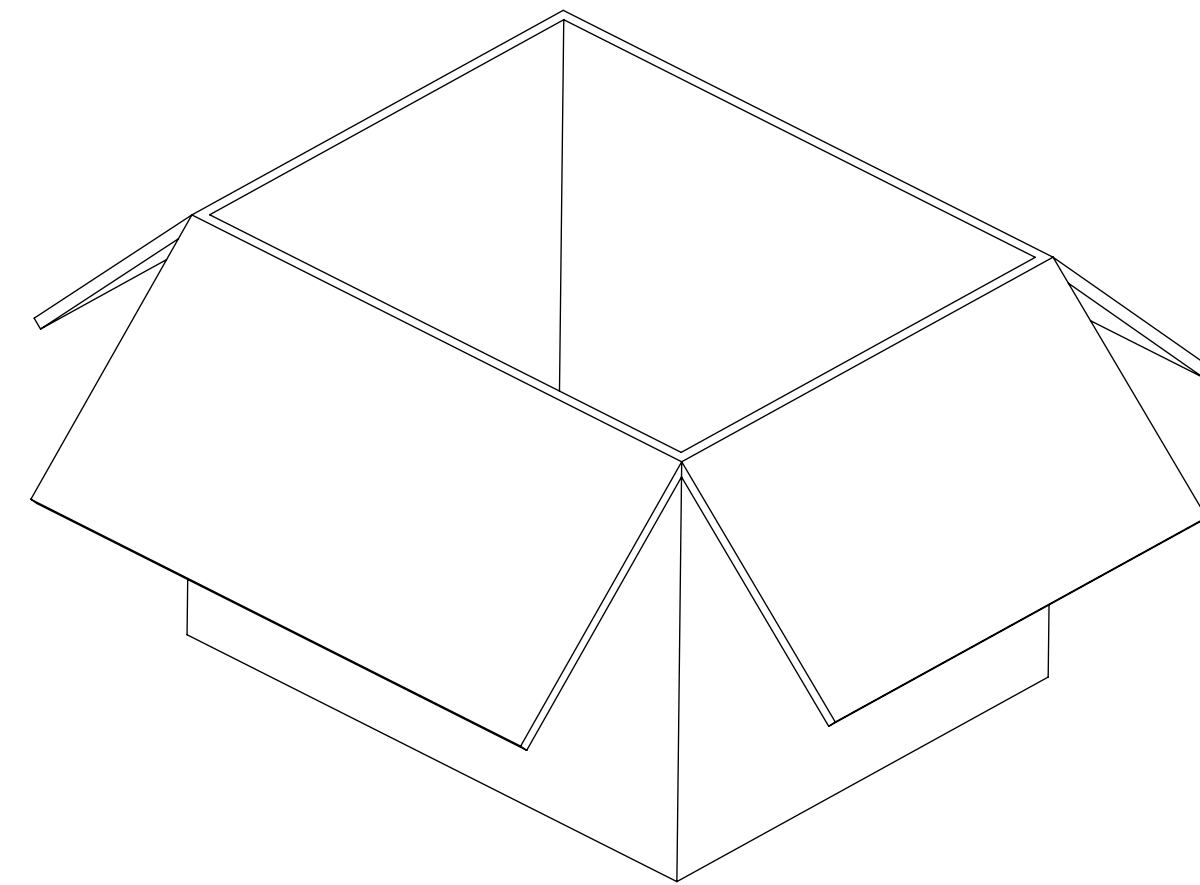
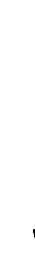
SD-73251-496




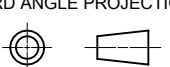
PART NO : 73251-4960
 PART NO: 73251-4962
 PART NO: 73251-4963
 PART NO: 73251-4964
 PART NO: 73251-4965



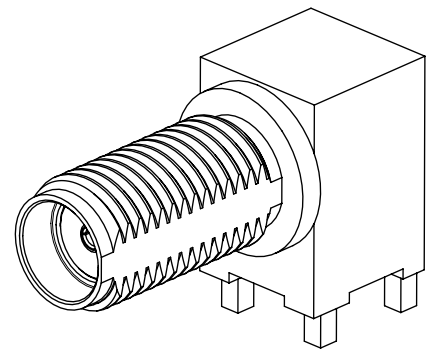
50 SET PER TRAY
 P/N: 89707-0185



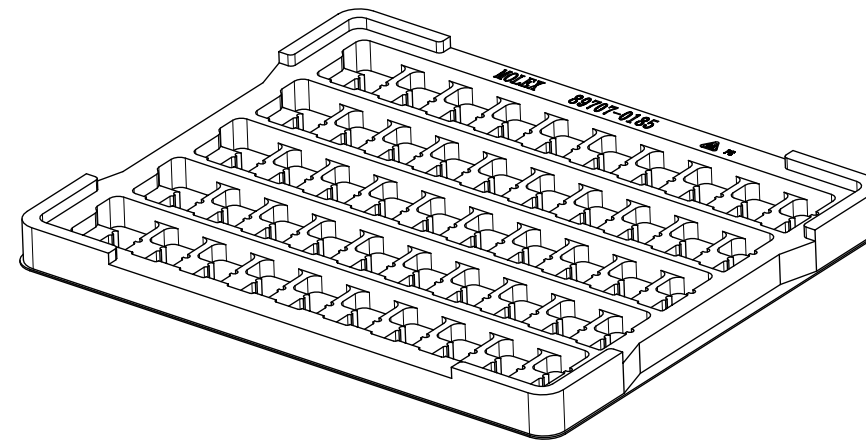
1400 SET PER OUTER CARTON BOX
 P/N: 89499-9027

FUNCTIONAL SYMBOLS	THIS DRAWING CONTAINS INFORMATION THAT IS PROPRIETARY TO MOLEX ELECTRONIC TECHNOLOGIES, LLC AND SHOULD NOT BE USED WITHOUT WRITTEN PERMISSION												
	DIMENSION UNITS	SCALE	CURRENT REV DESC: ADD P/N 73251-4967 FOR TR PACKAGING PER EWR14716-C										
$\frac{F}{A} = 0$	INCH/MM	NTS	EWR-14242-J ADDED LABEL FORMAT FOR 73251-4966									SMA JACK RA BLKHD RM PCB TH SMA-J/RA/PCB, EWR-2144	
$\frac{E}{C} = 0$	GENERAL TOLERANCES (UNLESS SPECIFIED)		EC NO: 737836								PRODUCT CUSTOMER DRAWING		
$\frac{E}{P} = 0$	ANGULAR TOL ± °		DRWN: CWEI02 2023/02/03										
DIVISIONAL SYMBOLS	4 PLACES ±		CHK'D: YCHENG 2023/02/10										
	3 PLACES ±		APPR: YCHENG 2023/02/10										
	2 PLACES ±		INITIAL REVISION:										
	1 PLACE ±		DRWN: AROBERTSON 2012/11/21										
0 PLACES ±		APPR: JWIENER 2012/11/27								DOCUMENT NUMBER SD-73251-496	DOC TYPE PSD	DOC PART 000	REVISION B10
DRAFT WHERE APPLICABLE MUST REMAIN WITHIN DIMENSIONS		THIRD ANGLE PROJECTION	DRAWING	SERIES	MATERIAL NUMBER	CUSTOMER	SHEET NUMBER						
			C-SIZE	73251	SEE TABLE	GENERAL MARKET	2 OF 6						

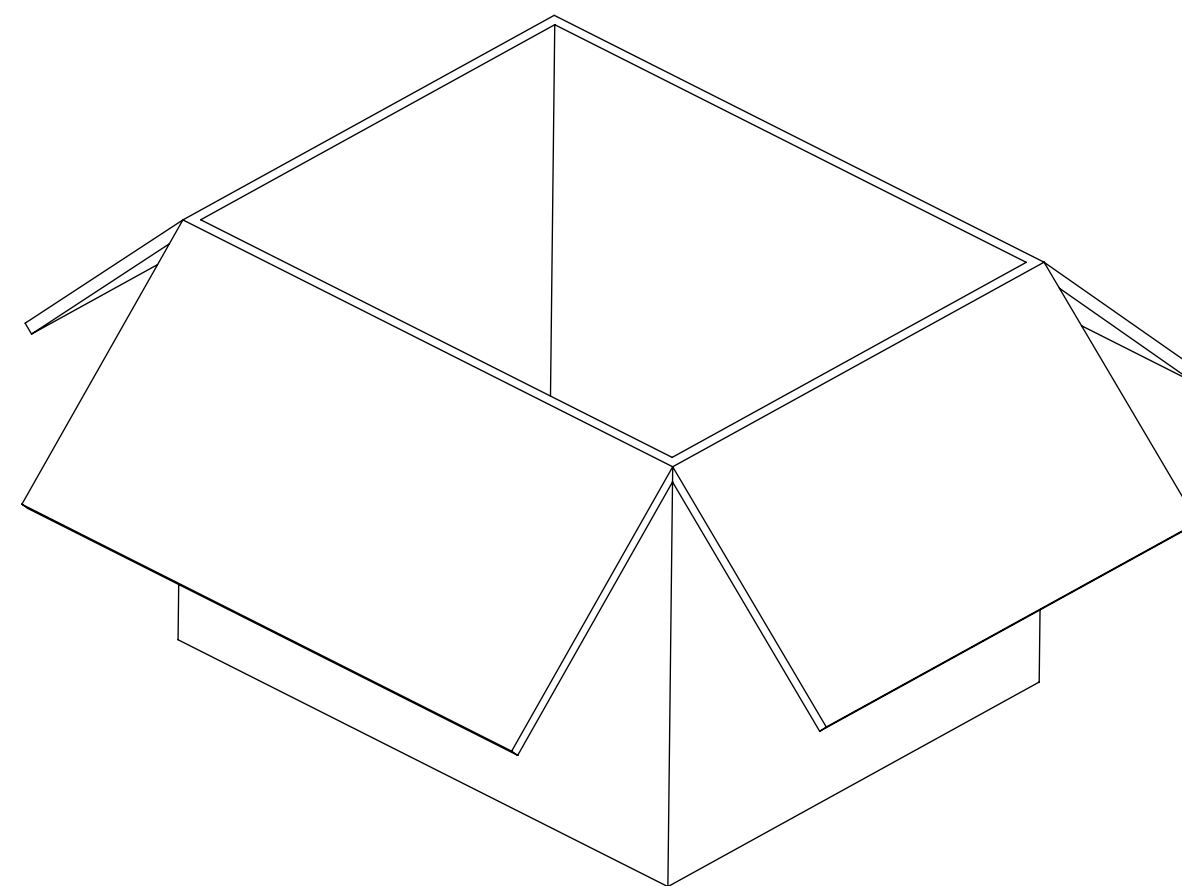
DOCUMENT STATUS	P1	RELEASE DATE	2023/02/10	08:51:15
-----------------	----	--------------	------------	----------




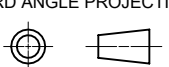
PART NO : 73251-4961



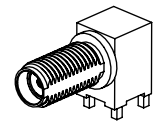
50 SET PER TRAY
P/N: 89707-0185



1200 SET PER OUTER CARTON BOX
P/N: 89499-9027

FUNCTIONAL SYMBOLS	THIS DRAWING CONTAINS INFORMATION THAT IS PROPRIETARY TO MOLEX ELECTRONIC TECHNOLOGIES, LLC AND SHOULD NOT BE USED WITHOUT WRITTEN PERMISSION												
	DIMENSION UNITS	SCALE	CURRENT REV DESC: ADD P/N 73251-4967 FOR TR PACKAGING PER EWR14716-C										
$\frac{F}{A} = 0$	INCH/MM	NTS	EWR-14242-J ADDED LABEL FORMAT FOR 73251-4966									SMA JACK RA BLKHD RM PCB TH SMA-J/RA/PCB, EWR-2144	
$\frac{F}{C} = 0$	GENERAL TOLERANCES (UNLESS SPECIFIED)		EC NO: 737836								PRODUCT CUSTOMER DRAWING		
$\frac{F}{P} = 0$	ANGULAR TOL ± °		DRWN: CWEI02 2023/02/03										
DIVISIONAL SYMBOLS	4 PLACES ±		CHK'D: YCHENG 2023/02/10										
	3 PLACES ±		APPR: YCHENG 2023/02/10										
	2 PLACES ±		INITIAL REVISION:										
	1 PLACE ±		DRWN: AROBERTSON 2012/11/21										
0 PLACES ±		APPR: JWIENER 2012/11/27								DOCUMENT NUMBER SD-73251-496	DOC TYPE PSD	DOC PART 000	REVISION B10
DRAFT WHERE APPLICABLE MUST REMAIN WITHIN DIMENSIONS		THIRD ANGLE PROJECTION	DRAWING	SERIES	MATERIAL NUMBER	CUSTOMER	SHEET NUMBER						
			C-SIZE	73251	SEE TABLE	GENERAL MARKET	3 OF 6						

DOCUMENT STATUS	P1	RELEASE DATE	2023/02/10	08:51:15
-----------------	----	--------------	------------	----------



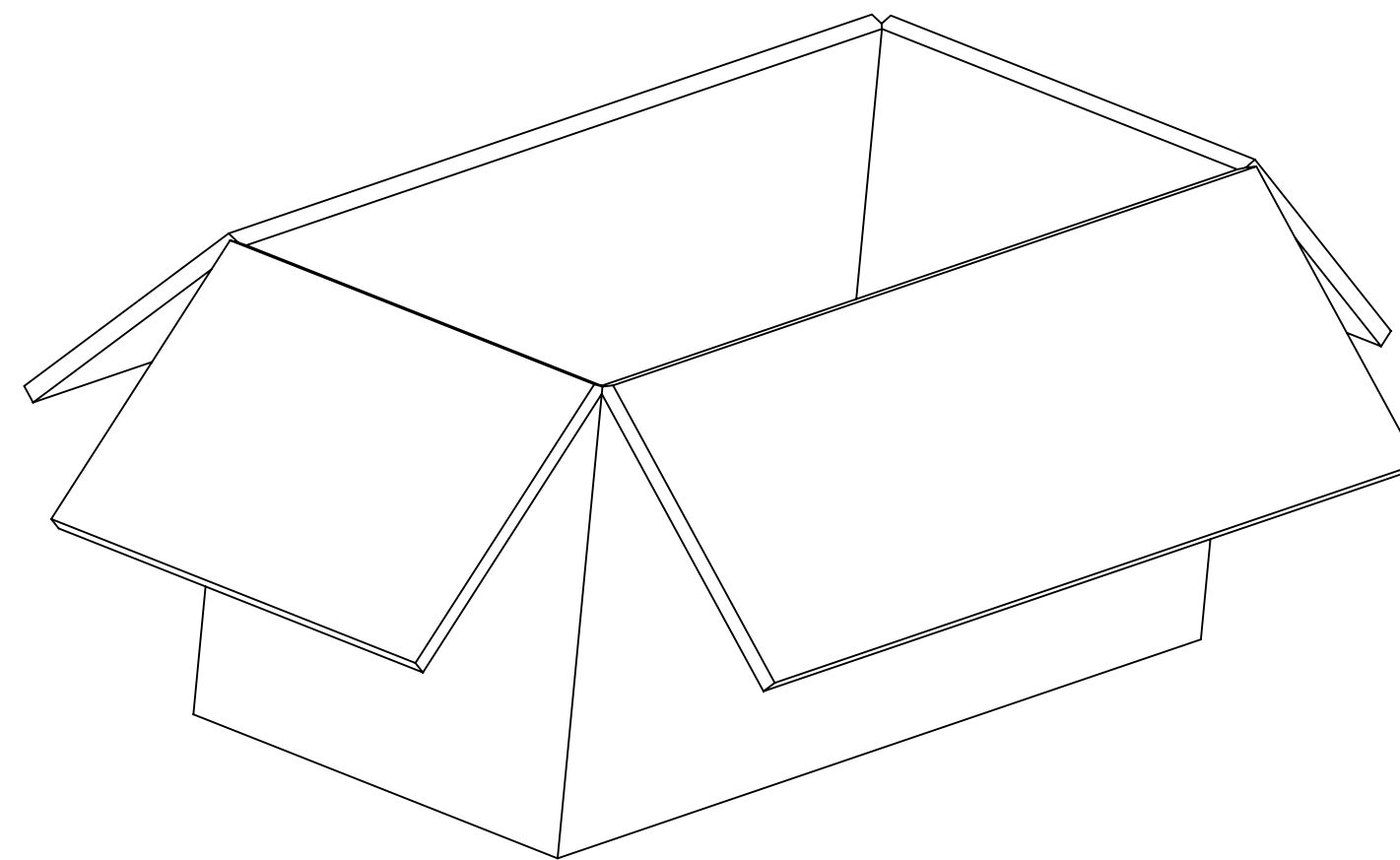
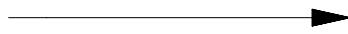
FOR 73251-4966 ONLY



1 SET PER POLYBAG
P/N: 89707-0317



50 SET PER POLYBAG
P/N: 89707-0176



500 SET PER OUTER CARTON BOX
P/N: 96707-0002

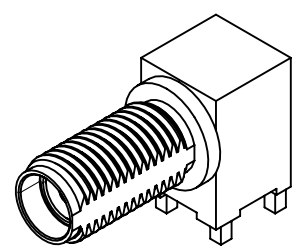
LABEL FORMAT FOR
73251-4966

PART NUMBER : 73251-2200
ORDER NUMBER : 73251-4966
MOLEX
DATE : YYWW

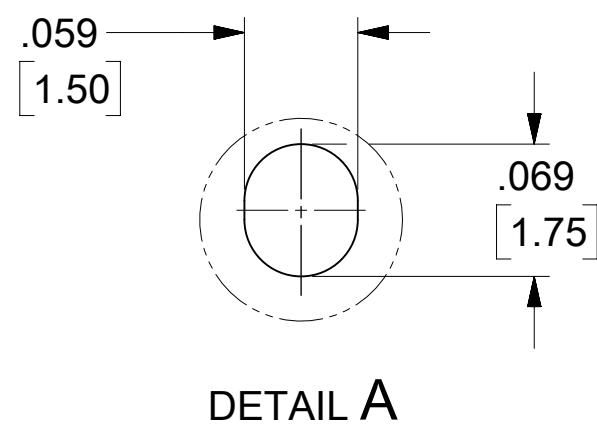
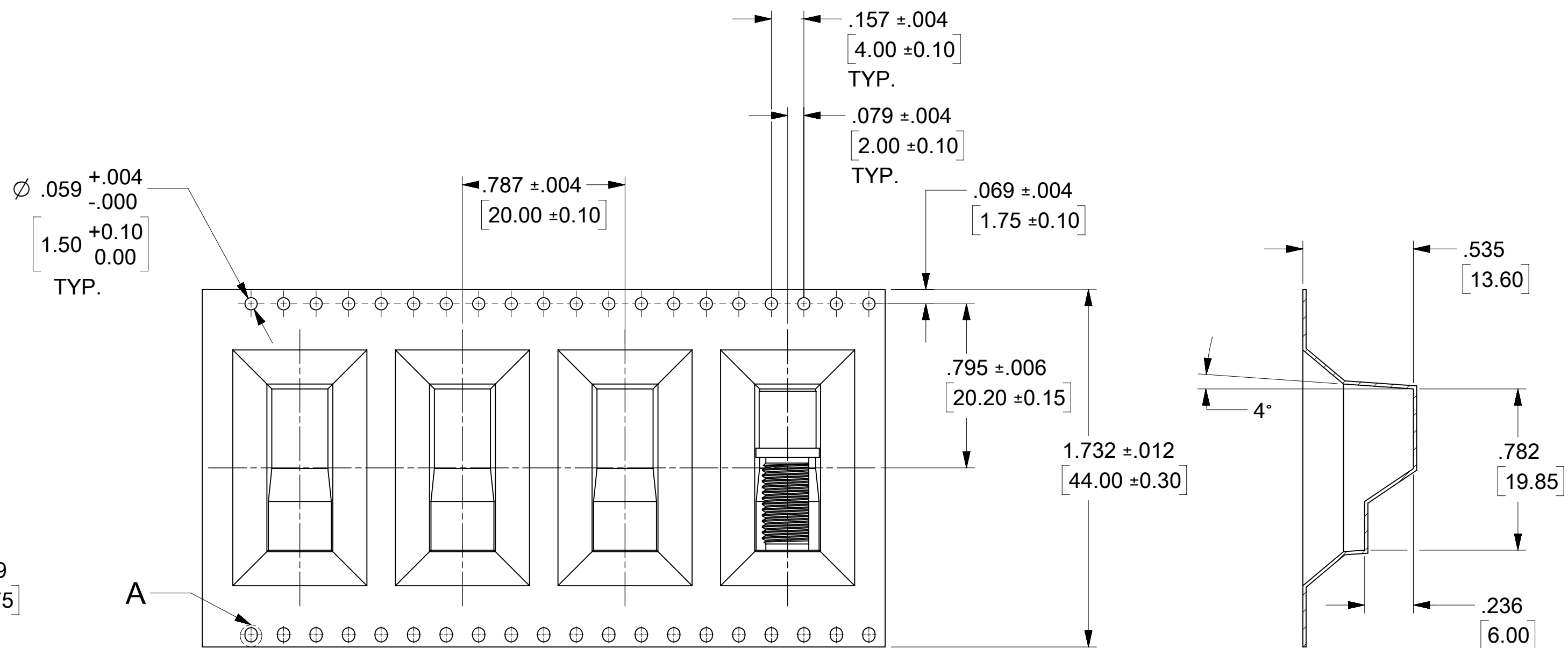
FUNCTIONAL SYMBOLS	THIS DRAWING CONTAINS INFORMATION THAT IS PROPRIETARY TO MOLEX ELECTRONIC TECHNOLOGIES, LLC AND SHOULD NOT BE USED WITHOUT WRITTEN PERMISSION												
	DIMENSION UNITS	SCALE	CURRENT REV DESC: ADD P/N 73251-4967 FOR TR PACKAGING PER EWR14716-C										
$\frac{F}{A} = 0$	INCH/MM	NTS	EWR-14242-J ADDED LABEL FORMAT FOR 73251-4966										
DIVISIONAL SYMBOLS	GENERAL TOLERANCES (UNLESS SPECIFIED)												
	$\frac{F}{C} = 0$	ANGULAR TOL		±	°	EC NO: 737836							
DIVISIONAL SYMBOLS	$\frac{F}{P} = 0$	4 PLACES	±	DRWN: CWEI02 2023/02/03									
	3 PLACES	±	CHK'D: YCHENG 2023/02/10										
	2 PLACES	±	APPR: YCHENG 2023/02/10										
	1 PLACE	±	INITIAL REVISION:										
DRAFT WHERE APPLICABLE MUST REMAIN WITHIN DIMENSIONS		THIRD ANGLE PROJECTION		DRAWING		SERIES		MATERIAL NUMBER		CUSTOMER		SHEET NUMBER	
				C-SIZE		73251		SEE TABLE		GENERAL MARKET		4 OF 6	

DOCUMENT NUMBER				DOC TYPE	DOC PART	REVISION
SD-73251-496				PSD	000	B10

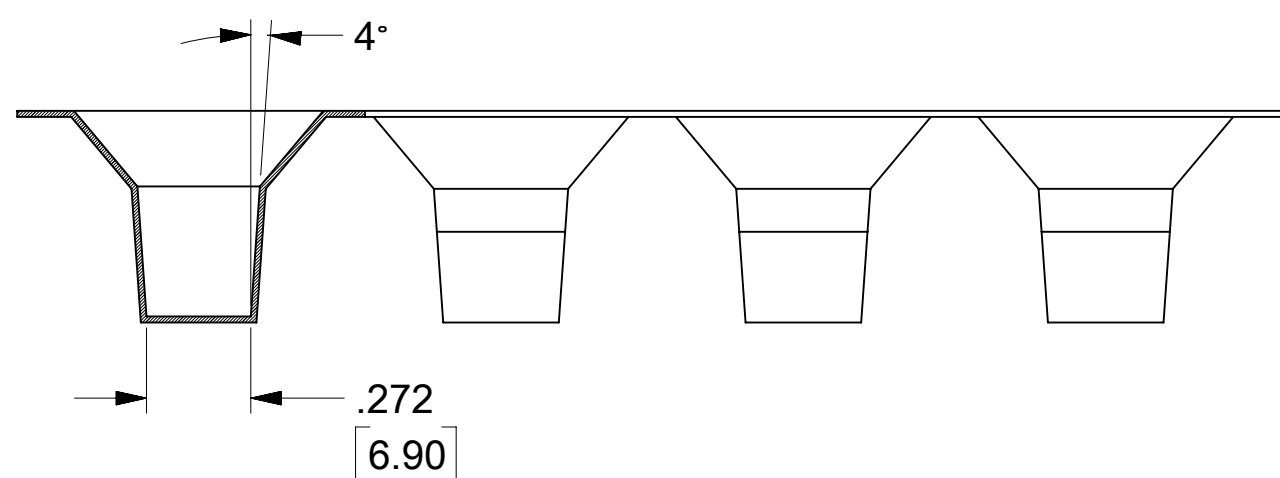
DOCUMENT STATUS	P1	RELEASE DATE	2023/02/10	08:51:15
-----------------	----	--------------	------------	----------



FOR PART NO. 73251-4967 ONLY



A



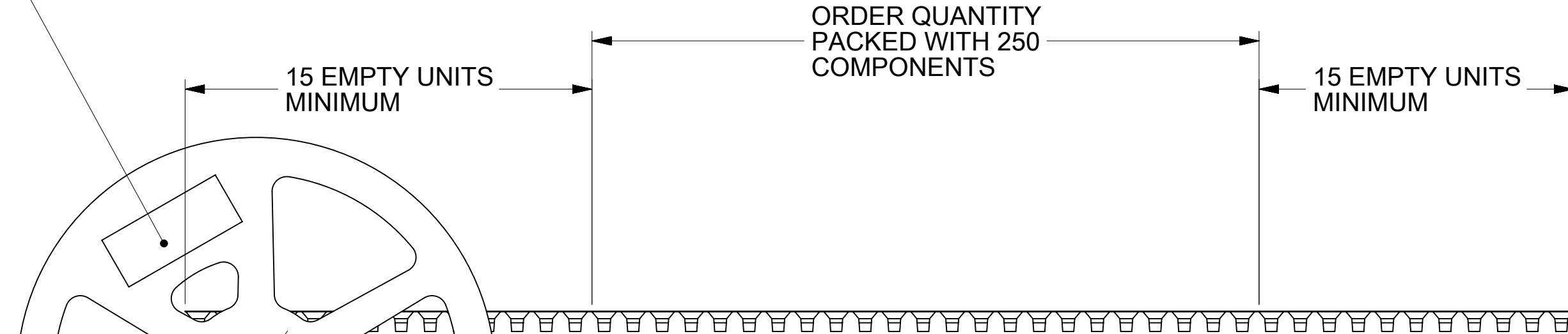
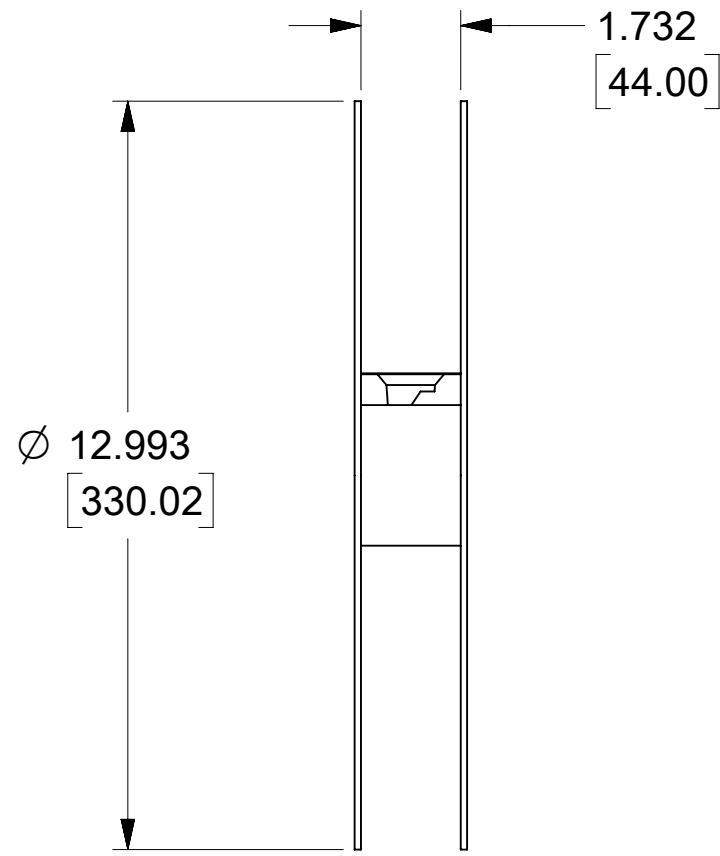
NOTES:

1. MATERIALS: PS BLACK THICKNESS: 0.5 ± 0.05 MM
2. COMPONENT LOAD PER 13" REEL: 250 PCS

FUNCTIONAL SYMBOLS										THIS DRAWING CONTAINS INFORMATION THAT IS PROPRIETARY TO MOLEX ELECTRONIC TECHNOLOGIES, LLC AND SHOULD NOT BE USED WITHOUT WRITTEN PERMISSION									
DIMENSION UNITS					SCALE					CURRENT REV DESC: ADD P/N 73251-4967 FOR TR PACKAGING PER EWR14716-C									
INCH/MM					NTS					<p>molex</p> <p>SMA JACK RA BLKHD RM PCB TH SMA-J/RA/PCB, EWR-2144</p> <p>PRODUCT CUSTOMER DRAWING</p> <p>DOCUMENT NUMBER: SD-73251-496 DOC TYPE: PSD DOC PART: 000 REVISION: B10</p> <p>MATERIAL NUMBER: SEE TABLE CUSTOMER: GENERAL MARKET SHEET NUMBER: 5 OF 6</p>									
GENERAL TOLERANCES (UNLESS SPECIFIED)																			
ANGULAR TOL ± °																			
DIVISIONAL SYMBOLS																			
4 PLACES ±					EC NO: 737836					2023/02/03									
3 PLACES ±					DRWN: CWEI02					2023/02/10									
2 PLACES ±					CHK'D: YCHENG					2023/02/10									
1 PLACE ±					APPR: YCHENG					INITIAL REVISION:									
0 PLACES ±					DRWN: AROBERTSON					2012/11/21									
DRAFT WHERE APPLICABLE MUST REMAIN WITHIN DIMENSIONS					THIRD ANGLE PROJECTION					DRAWING SERIES: C-SIZE 73251									

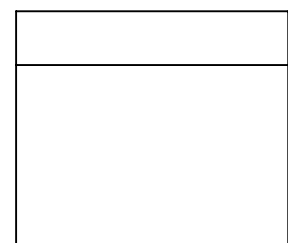
FOR 73251-4967 ONLY

LABEL:
 -ORDER NUMBER
 -QUANTITY
 -PART NUMBER
 -LOT NUMBER

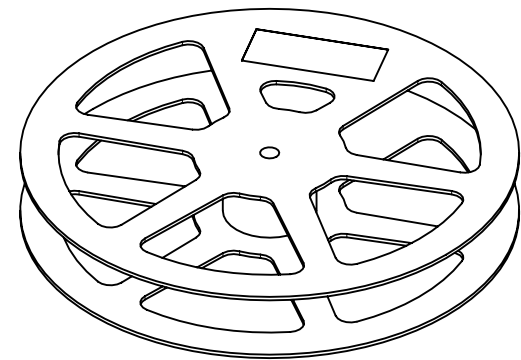


ORDER QUANTITY
 PACKED WITH 250
 COMPONENTS

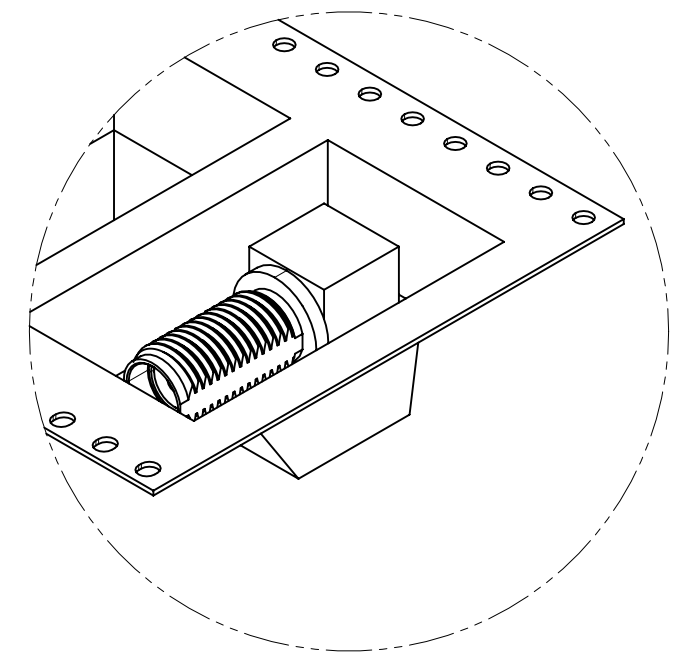
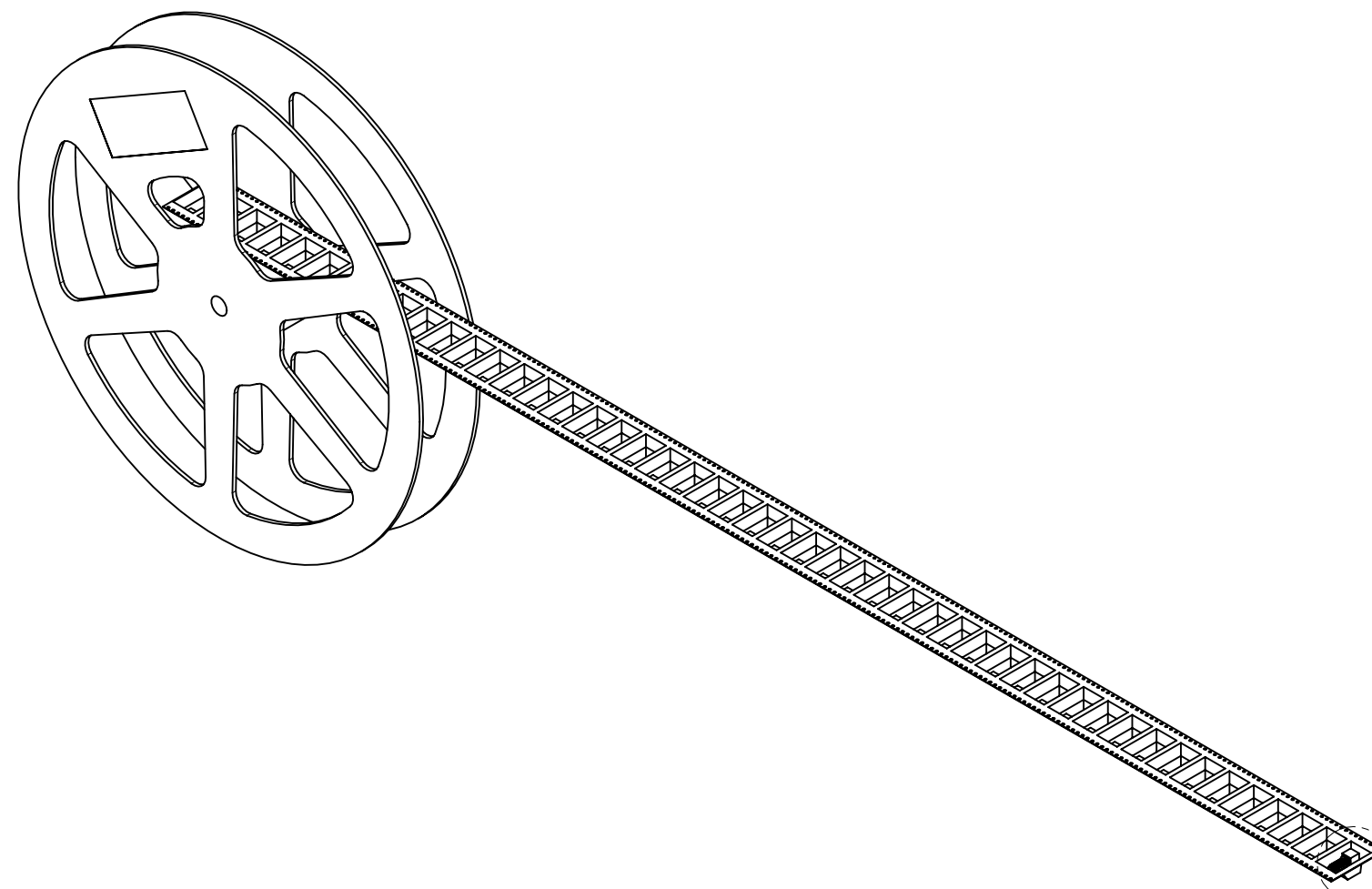
Ø .502 REF
 [12.75]



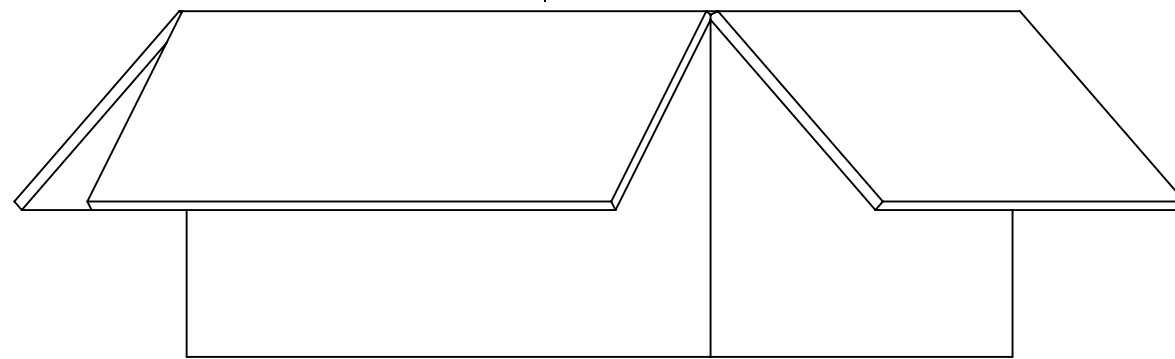
ACCESSORY



REELS X 4 PCS



DETAIL B



1000 SETS PER CARTON BOX
 OUTER DIMENSION: 343 X 343X 220 MM

FUNCTIONAL SYMBOLS	THIS DRAWING CONTAINS INFORMATION THAT IS PROPRIETARY TO MOLEX ELECTRONIC TECHNOLOGIES, LLC AND SHOULD NOT BE USED WITHOUT WRITTEN PERMISSION									
	DIMENSION UNITS	SCALE	CURRENT REV DESC: ADD P/N 73251-4967 FOR TR PACKAGING PER EWR14716-C							molex
FA = 0	INCH/MM	NTS								
GENERAL TOLERANCES (UNLESS SPECIFIED)	GENERAL TOLERANCES (UNLESS SPECIFIED)									
	ANGULAR TOL	±	°							
DIVISIONAL SYMBOLS	4 PLACES	±								
	3 PLACES	±								
	2 PLACES	±								
	1 PLACE	±								
0 PLACES	±									
DRAFT WHERE APPLICABLE MUST REMAIN WITHIN DIMENSIONS		THIRD ANGLE PROJECTION	DRAWING	SERIES	MATERIAL NUMBER	CUSTOMER	SHEET NUMBER			
			C-SIZE	73251	SEE TABLE	GENERAL MARKET	6 OF 6			

PRODUCT CUSTOMER DRAWING			
DOCUMENT NUMBER	DOC TYPE	DOC PART	REVISION
SD-73251-496	PSD	000	B10

DOCUMENT STATUS	P1	RELEASE DATE	2023/02/10	08:51:15
-----------------	----	--------------	------------	----------