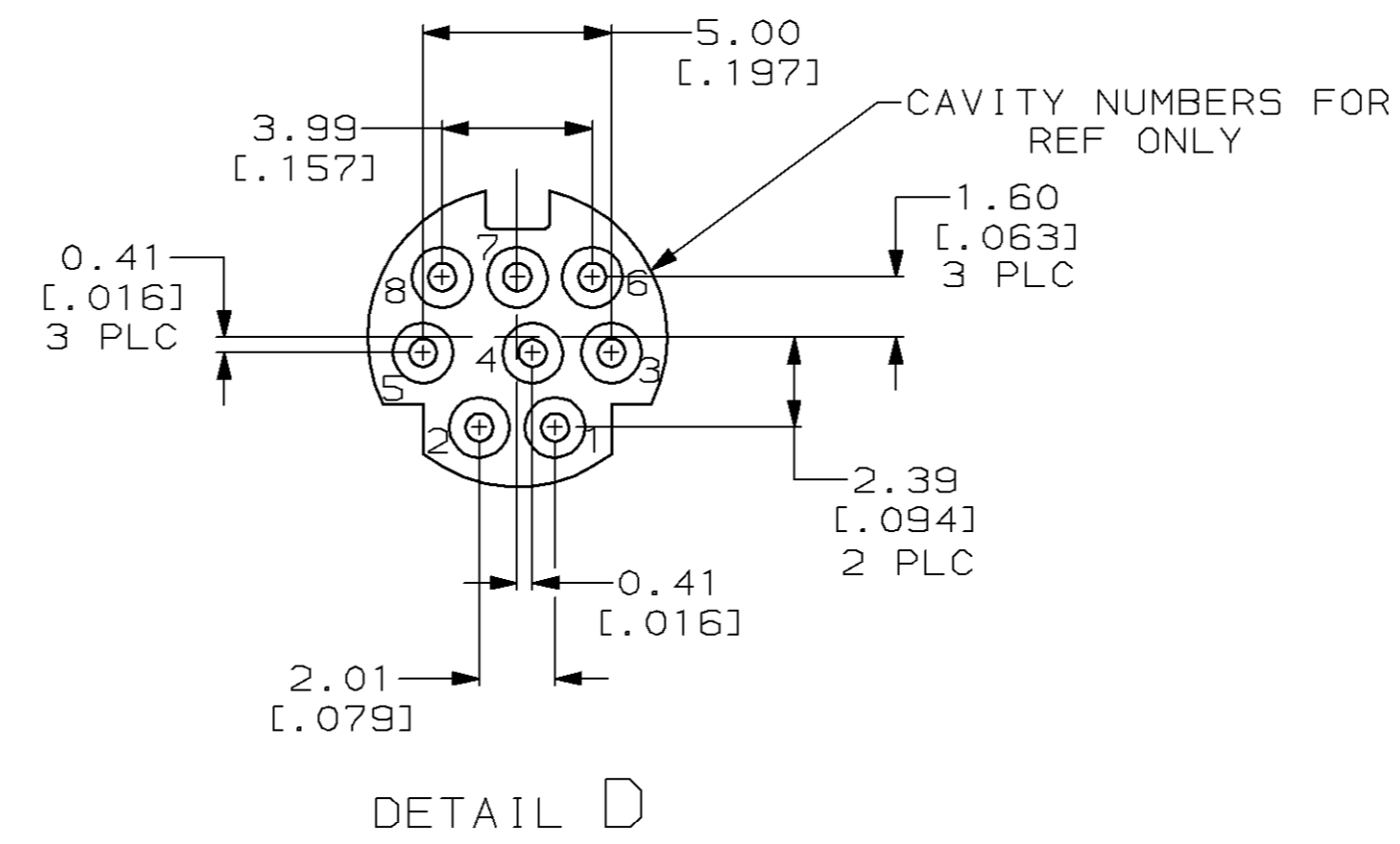
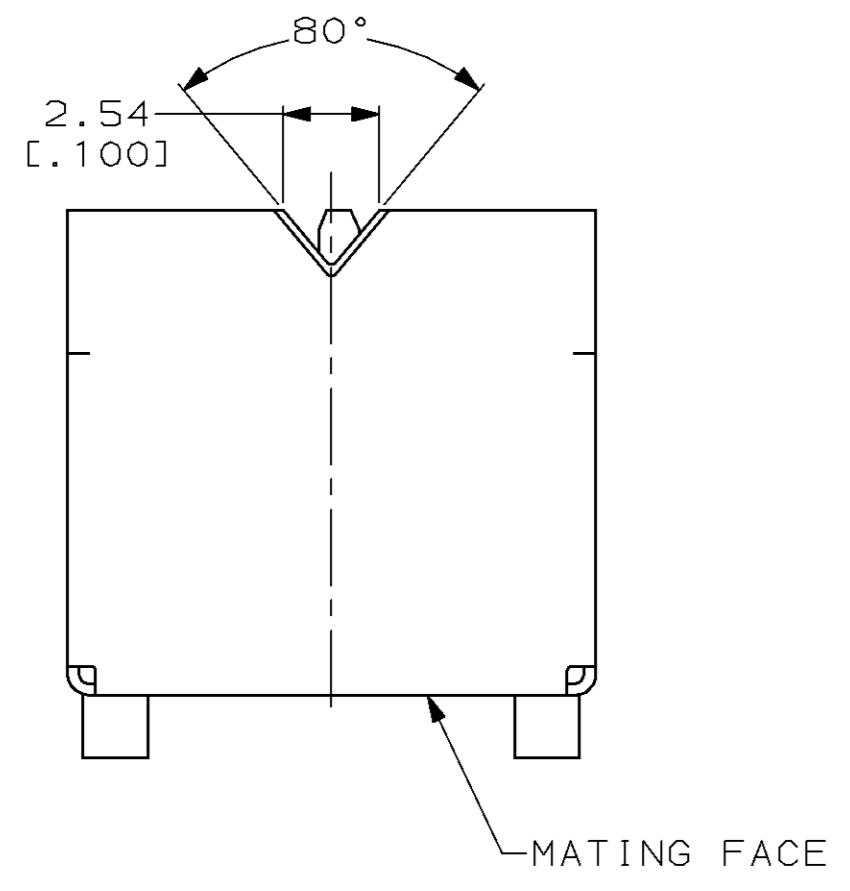
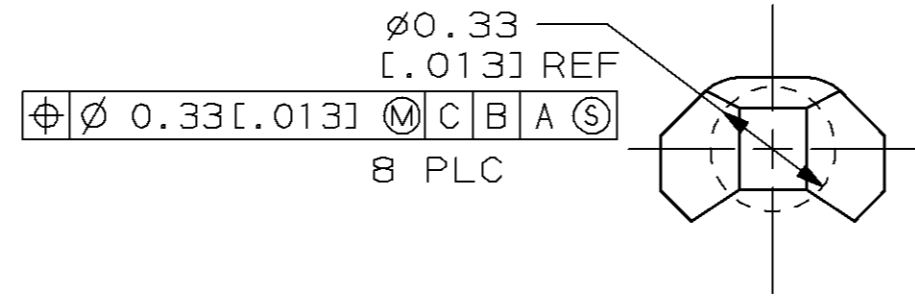
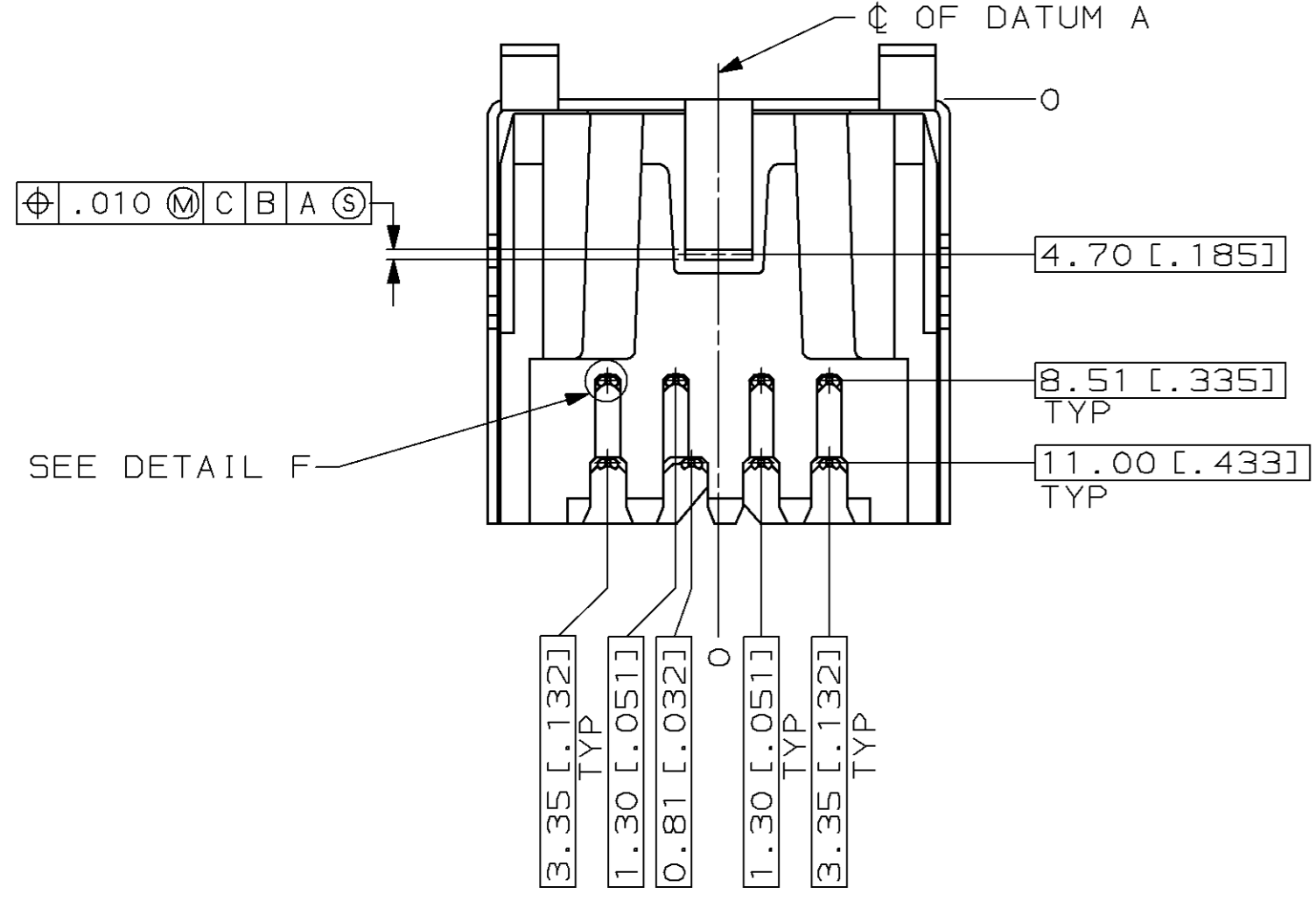
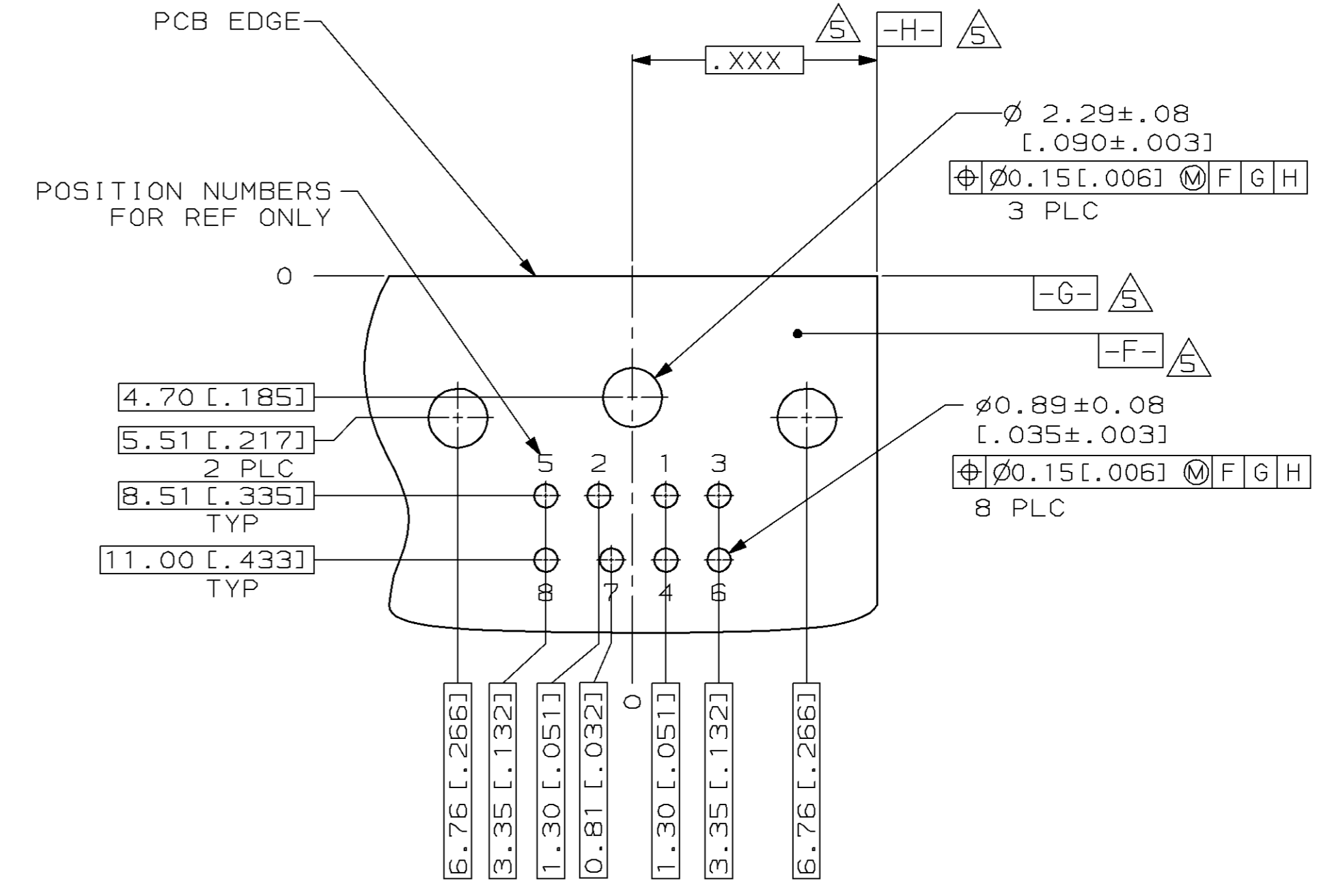
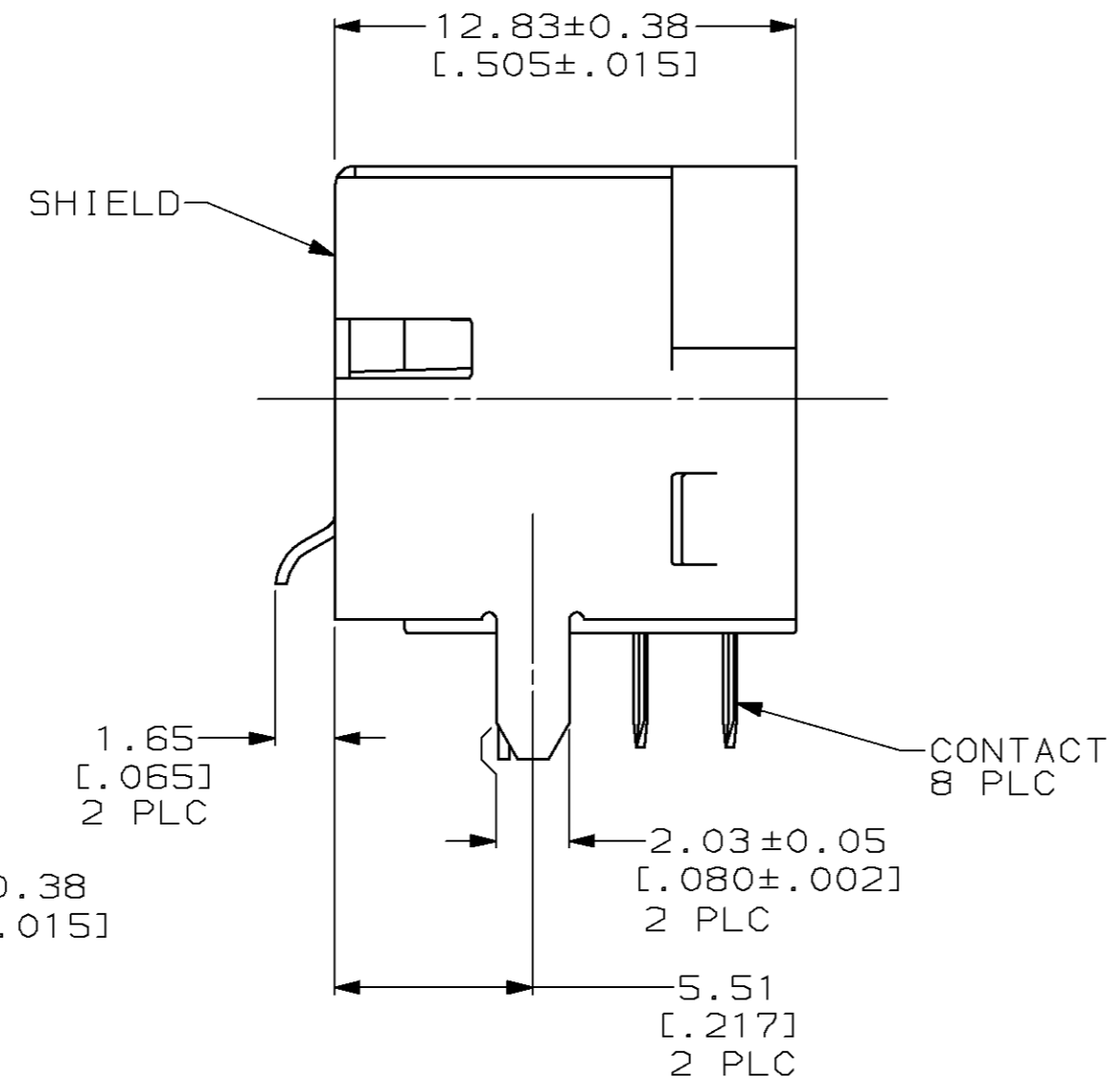
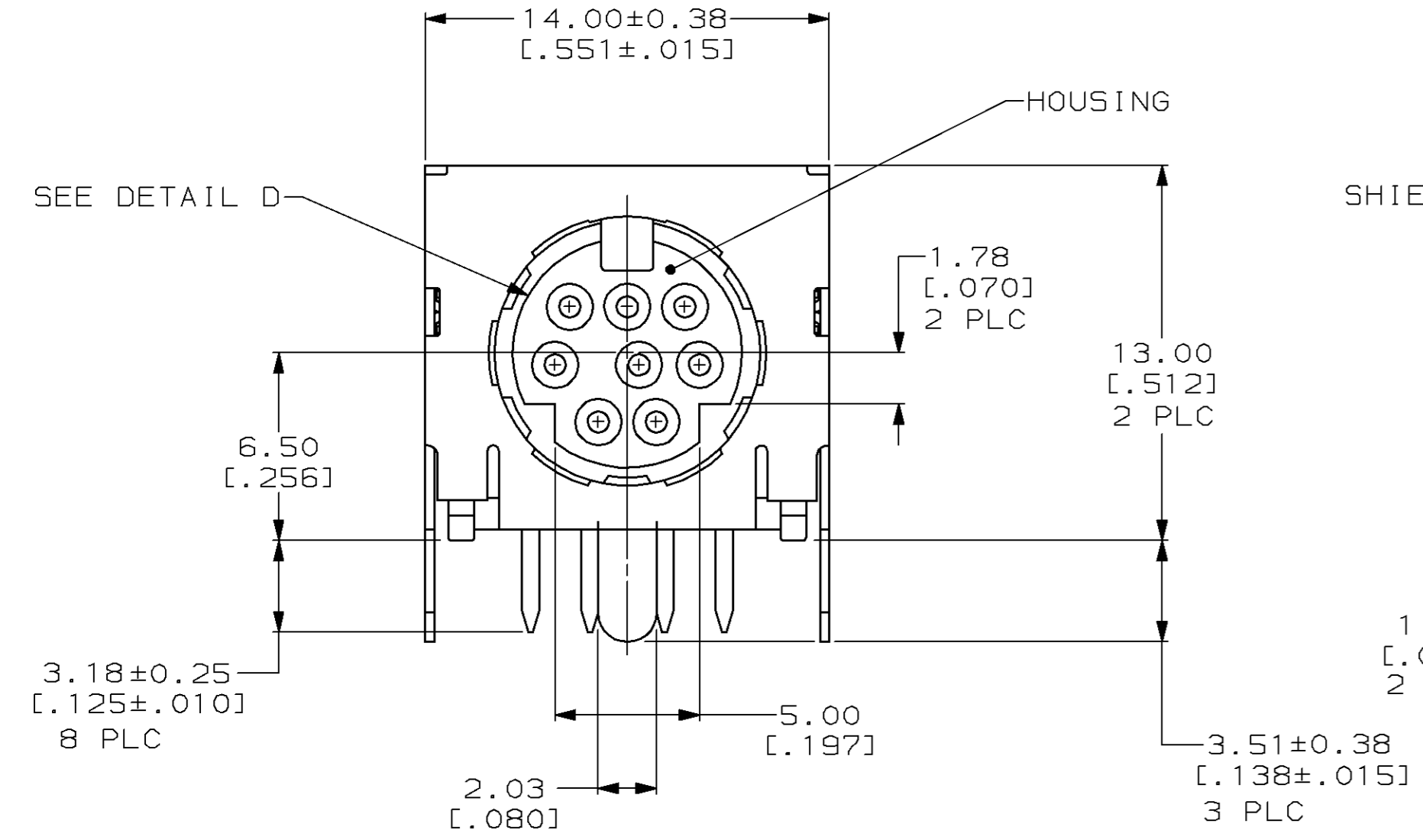


LOC		DIST		P		F		ZONE		LTR		REVISIONS			
BD	26											DESCRIPTION	DATE	APPD	
												0	RLSE PER NPR 2674 & REV PER ECN BD3723	02/19/90	-
												A	REV PER EC 0020-824-95	12 OCT 95	JH
												B	REV PER EC 0410-95-96	04 MAR 97	JGH
												C	REV PER EC 0410-281-97	28 SEP 97	JGH
												D	REV PER EC 0410-410-97	05 FEB 98	JGH



- 1 SHIELD & CONTACTS: COPPER ALLOY.  
HOUSING: POLYESTER, UL 94V-0 RATED, BLACK.
- 2 0.76 μm [.000030] MIN GOLD FOR A LENGTH OF 1.27 [.050] MIN FROM MATING END, 3.05 μm [.000120] MIN TIN-LEAD ON OPPOSITE END, BOTH OVER 1.27 μm [.000050] MIN NICKEL.
- 3 1.50-4.00 μm [.000059-.000158] THICK BRIGHT TIN.
- 4 GOLD PLATING PER MIL-G-45204, TIN PLATING PER MIL-T-10727, NICKEL PLATING PER QQ-N-290.
- 5 DATUMS AND BASIC DIMENSION SUPPLIED BY CUSTOMER.



DETAIL F  
SCALE 50:1

RECOMMENDED PC BOARD LAYOUT  
BOTTOM VIEW

DO NOT SCALE PRINT. UNLESS SPECIFIED DIMENSIONS IN mm [INCHES] TOLERANCES ON: 2 PLC DEC ± 0.13 [.005] 3 PLC DEC ± - ANGLES ± 2°		DR 02/19/10 L.SIPE	750073-1 PART NO		
MATERIAL	1	CHK 03/20/90 R.STONE	AMP INCORPORATED Harrisburg, Pa. 17105		
FINISH	4	APPD 03/20/90 R.WHYNE	NAME RECEPTACLE ASSEMBLY, FRONT PANEL GROUNDING, 8 POSN, RIGHT ANGLE, MINIATURE CIRCULAR DIN		
SHIELD:	3	APPD 03/20/90 J.FULPONI	SIZE D	CAGE CODE 00779	DRAWING NO 750073
CONTACTS:	2	PRODUCT SPEC 108-1225	SCALE 5:1	SHEET 1 OF 1	
		APPLICATION SPEC -	WEIGHT -		