

REVISIONS

P	LTR	DESCRIPTION	DATE	DWN	APVD
	D	ECO-16-002004	27OCT2021	RZ	WK

NOTES:

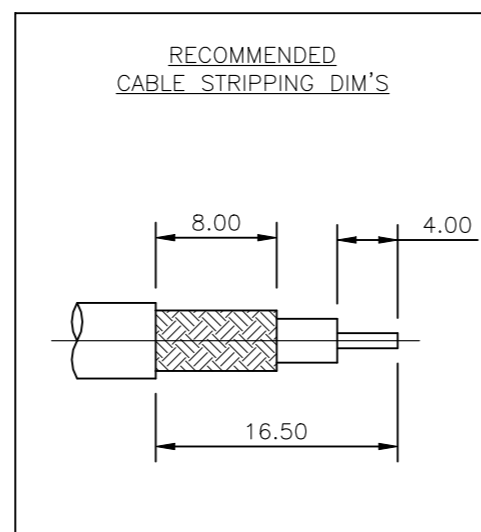
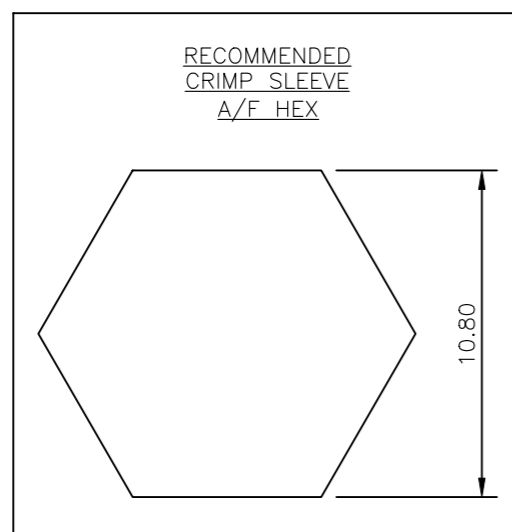
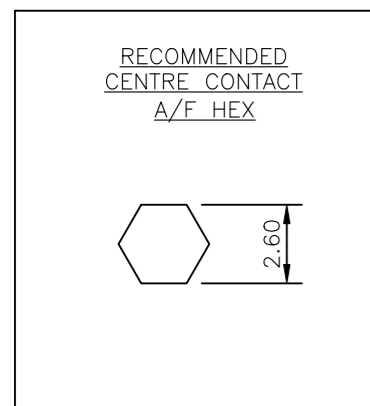
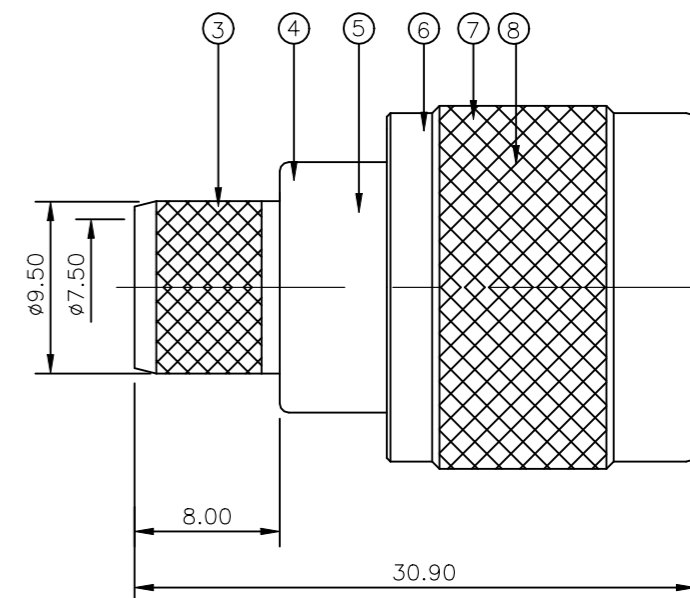
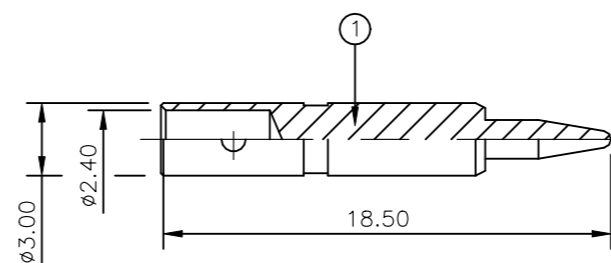
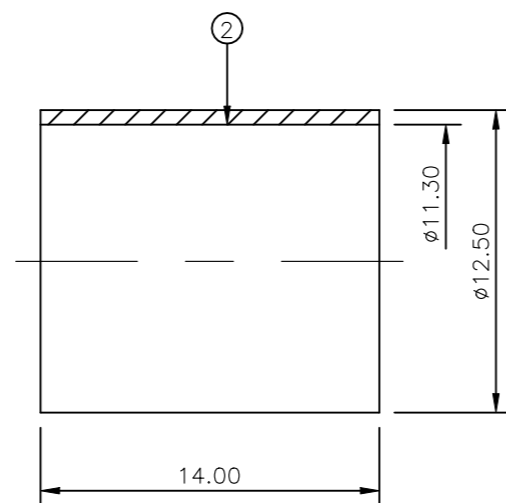
- ① PACK IN ACCORDANCE WITH AMP SPEC 107-3275
- ② 100 TRAY PACK IN ACCORDANCE WITH AMP SPEC 107-3275
- ③ Ag PLATING
- ④ THIS ITEM MUST BE WHITE

- 5. HAND TOOL: 9-478240-0
- 6. DIE SET: 9-1478246-0

7. ELECTRICAL CHARACTERISTICS
- |                               |                             |
|-------------------------------|-----------------------------|
| FREQUENCY RANGE:              | DC - 11 GHz                 |
| NOMINAL IMPEDANCE:            | 50 Ohm                      |
| INSULATION RESISTANCE:        | 5000 MOhm                   |
| WORKING VOLTAGE:              | 1000 Volts RMS at Sea Level |
| DIELECTRIC WITHSTAND VOLTAGE: | 2500 Volts RMS Max          |
| CONTACT RESISTANCE:           |                             |
| CENTRE CONTACT:               | 1.00 mOhm Max               |
| OUTER CONTACT:                | 1.00 mOhm Max               |
| VSWR @ 4GHz:                  | 1.30:1 Max                  |
| INSERTION LOSS dB @ x 4 GHz:  | 0.30 Max                    |

8. MECHANICAL CHARACTERISTICS
- |                               |                |
|-------------------------------|----------------|
| COUPLING NUT RETENTION FORCE: | 445N Min       |
| CABLE RETENTION FORCE:        | 350N Min       |
| DURABILITY:                   | 500 Cycles Min |

9. ENVIRONMENTAL CHARACTERISTICS
- |                        |                  |
|------------------------|------------------|
| OPERATING TEMPERATURE: | -65 to +165 DegC |
|------------------------|------------------|



QTY	QTY PER ASSY	MATERIAL	DESCRIPTION	ITEM
1	1	SILICON RUBBER	GASKET	8
1	1	BRASS	SHELL	7
1	1	BRONZE	CIRCLIP	6
1	1	PTFE	INSULATION	5
1	1	BRASS	BODY	4
1	1	BRASS	CHASSIS	3
1	1	BRASS	FERRULE	2
1	1	BRASS	CONTACT	1
6--0	1--0		MATERIAL	DESCRIPTION
				ITEM

THIS DRAWING IS A CONTROLLED DOCUMENT.

DIMENSIONS: mm	TOLERANCES UNLESS OTHERWISE SPECIFIED:	DWN J.SANDWELL 21SEP05	 TE Connectivity
	0 PLC ± -	CHK S.PARLOW 21SEP05	
	1 PLC ± 0.3	APVD F.WHEELER-KING 21SEP05	
	2 PLC ± 0.2	PRODUCT SPEC	
	3 PLC ± -	APPLICATION SPEC	NAME
	4 PLC ± -	411-3247	TYPE-N STRAIGHT PLUG CRIMP 50 OHM
	ANGLES ± -	0.000000	RG9B/U, 214/U, URM 91, KX13, KX24
MATERIAL SEE TABLE	FINISH SEE TABLE	WEIGHT	SIZE CAGE CODE DRAWING NO RESTRICTED TO
			A3 00779 C-1337415
		CUSTOMER DRAWING	SCALE NTS SHEET 1 OF 1 REV D