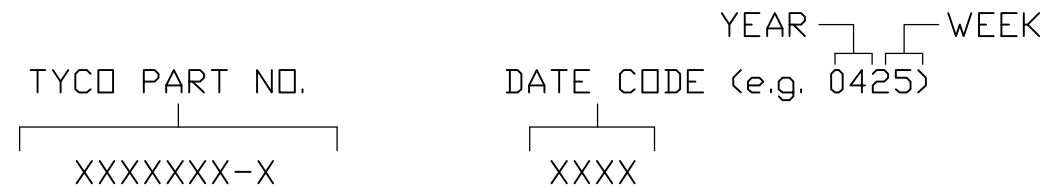


THIS DRAWING IS UNPUBLISHED. RELEASED FOR PUBLICATION
 © COPYRIGHT - BY TYCO ELECTRONICS CORPORATION. ALL RIGHTS RESERVED.

LOC	DIST	REVISIONS					
GP	00	P	LTR	DESCRIPTION	DATE	DWN	APVD
			A	RELEASED	24MAY06	RG	SF

- 9. RECOMMENDED MOUNTING PCB 2.3 [0.093] MIN THK.
- 8. ITEMS PROVIDED TO THIS SPECIFICATION TO BE PERMANENTLY IDENTIFIED PER THE FOLLOWING IDENTIFIER:



- 7. RECOMMENDED PRESSING TOOL:
 FIX00001 FOR PART NUMBER 6650494-1.
 CONTACT TYCO FOR TOOLING DRAWINGS.
- 6. EXAMPLE PCB CONFIGURATION.
- 5. THIS CONFIGURATION WITH 3 SEGMENT POWER CONNECTOR (PN 6650383-X) IS SHOWN FOR REFERENCE ONLY. COMBINATION OF MULTIPLE NUMBERS OF 2 AND 3 SEGMENT MODULES COULD BE USED PER USER PREFERENCE. OVERALL COMBINATION SHOULD NOT EXCEED 8.0" IN LENGTH.

- 4. SOCKETS ACCEPT 1.6 [0.062] ±10% THICK PC BOARD.
- 3. FINISHES:
 CONTACTS: SELECTIVE GOLD .000030" MIN THK. OVER NICKEL .000040" MIN THK.
 TERMINALS: TIN .000100" MIN THK. OVER NICKEL .000040" MIN. THICK.

- 2. MATERIALS:
 INSULATORS: THERMOPLASTIC, GLASS REINFORCED, COLOR-BLACK, UL94V-0 FLAMMABILITY RATED.
 CONTACTS: PHOSPHOR BRONZE ALLOY

1. PART NUMBER CHANGES AND OR DESIGN CHANGES AFFECTING ITEM INTERCHANGEABILITY REQUIRE PRIOR TYCO APPROVAL AND AUTHORIZATION BY REVISION TO THIS DRAWING.

AS SHOWN	6650494-1
DESCRIPTION	PART NUMBER

THIS DRAWING IS A CONTROLLED DOCUMENT.		DWN R.GRZYBOWSKI	24MAY06	Tyco Electronics Corporation Harrisburg, PA 17105-3608	
DIMENSIONS: mm		CHK S.FLICKINGER	24MAY06		
		APVD S.FLICKINGER	24MAY06	NAME SOCKET CONNECTOR, CROWNEDGE STRAIGHT, 3 SEGMENTS, 16 SIGNAL, COMPLIANT	
TOLERANCES UNLESS OTHERWISE SPECIFIED:		PRODUCT SPEC		RESTRICTED TO	
0 PLC ± - 1 PLC ± .5 [.020] 2 PLC ± .25 [.010] 3 PLC ± - 4 PLC ± - ANGLES ± .5		APPLICATION SPEC		SIZE	CAGE CODE
MATERIAL		WEIGHT		A3	00779
FINISH		CUSTOMER DRAWING		DRAWING NO C-6650494	
		SCALE		SHEET	REV
		2:1		1 OF 4	A

4

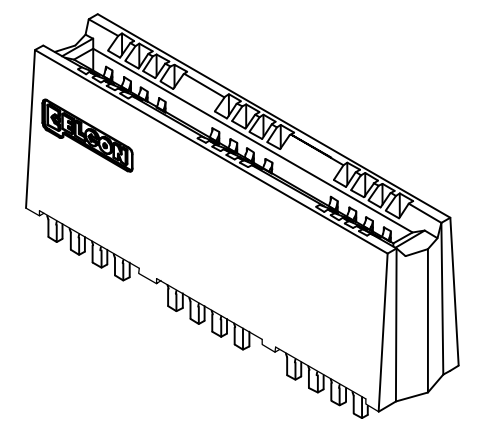
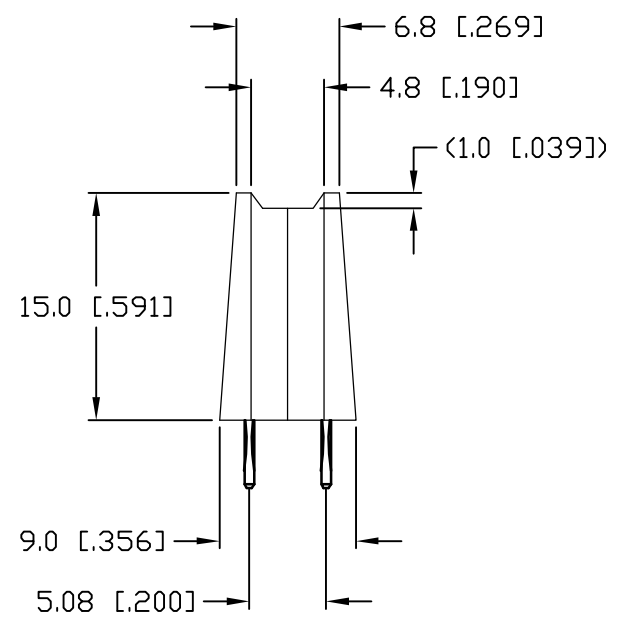
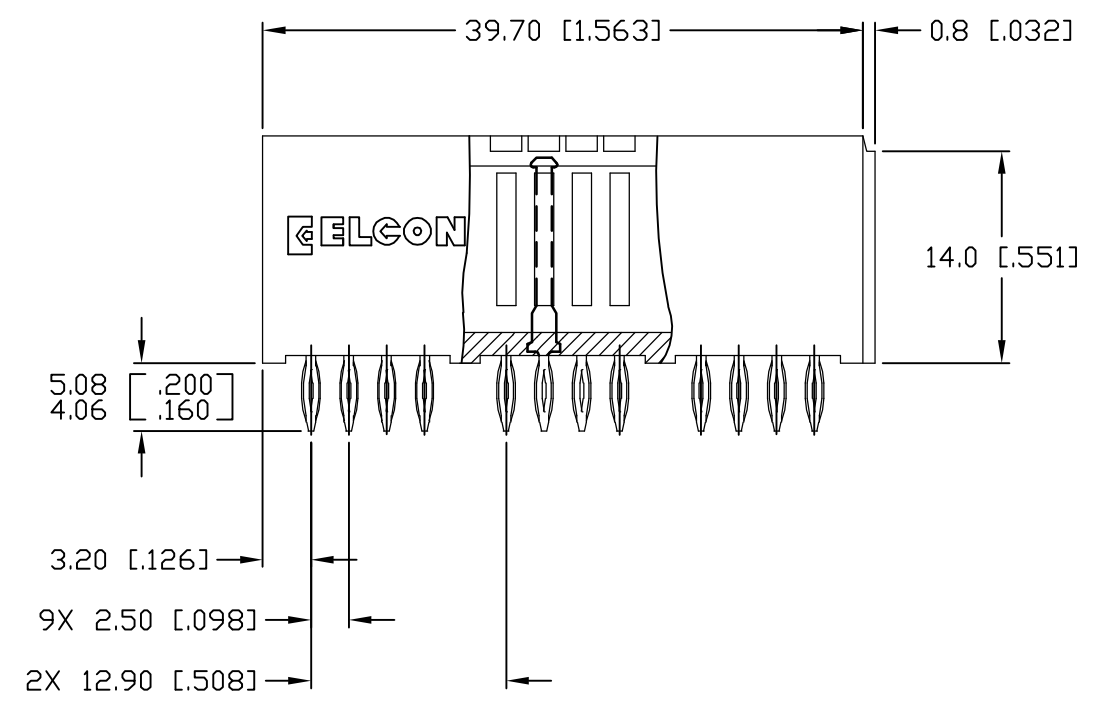
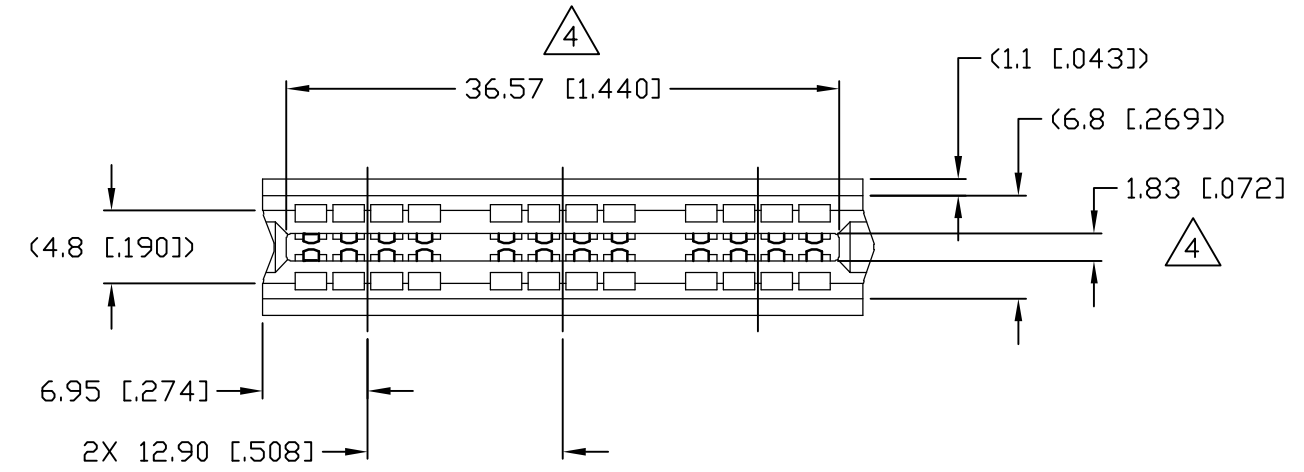
3

2

1

THIS DRAWING IS UNPUBLISHED. RELEASED FOR PUBLICATION
 © COPYRIGHT - BY TYCO ELECTRONICS CORPORATION. ALL RIGHTS RESERVED.

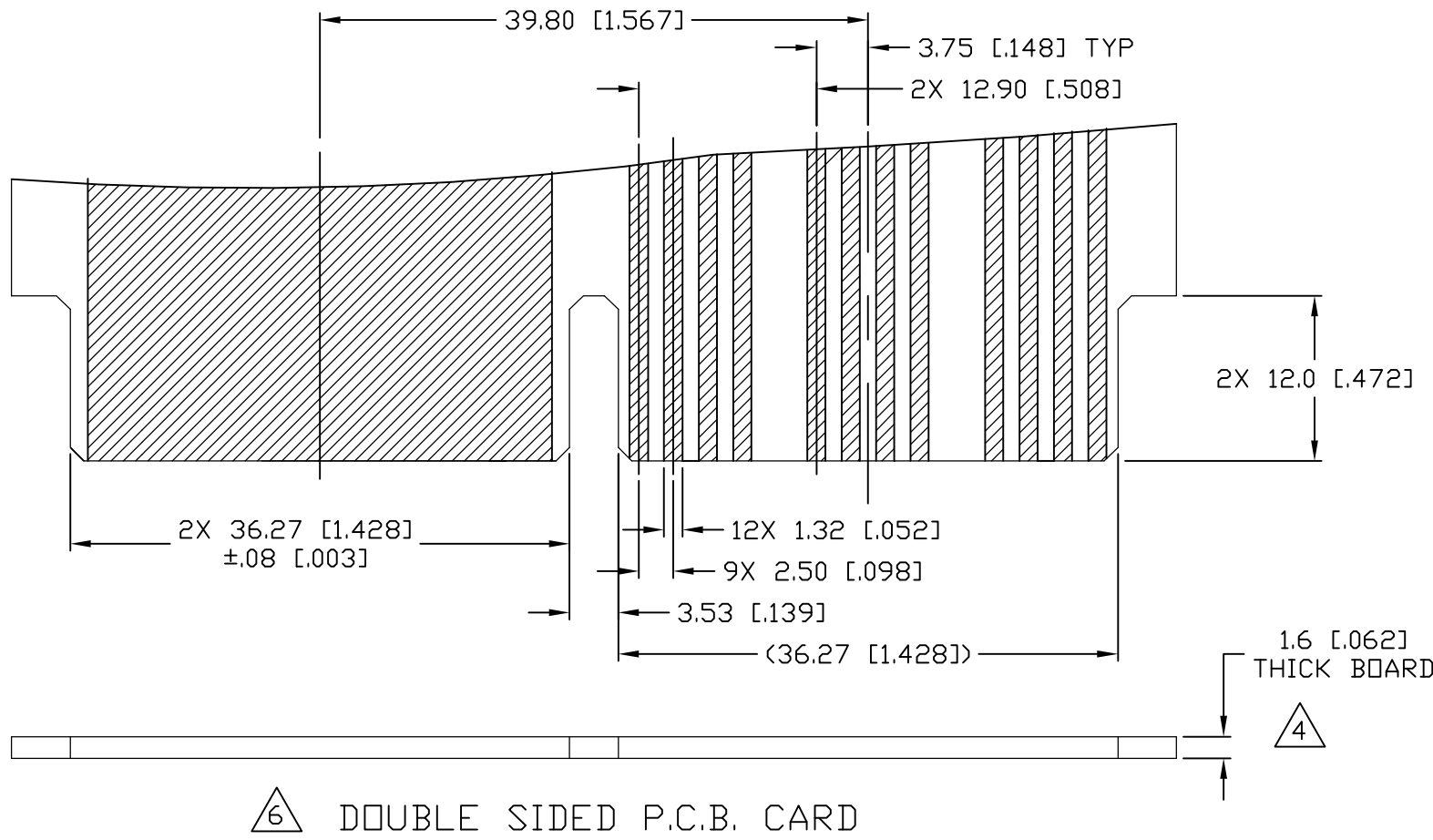
LOC	DIST	REVISIONS					
GP	00	P	LTR	DESCRIPTION	DATE	DWN	APVD
		-		SEE SHEET 1	-	-	-



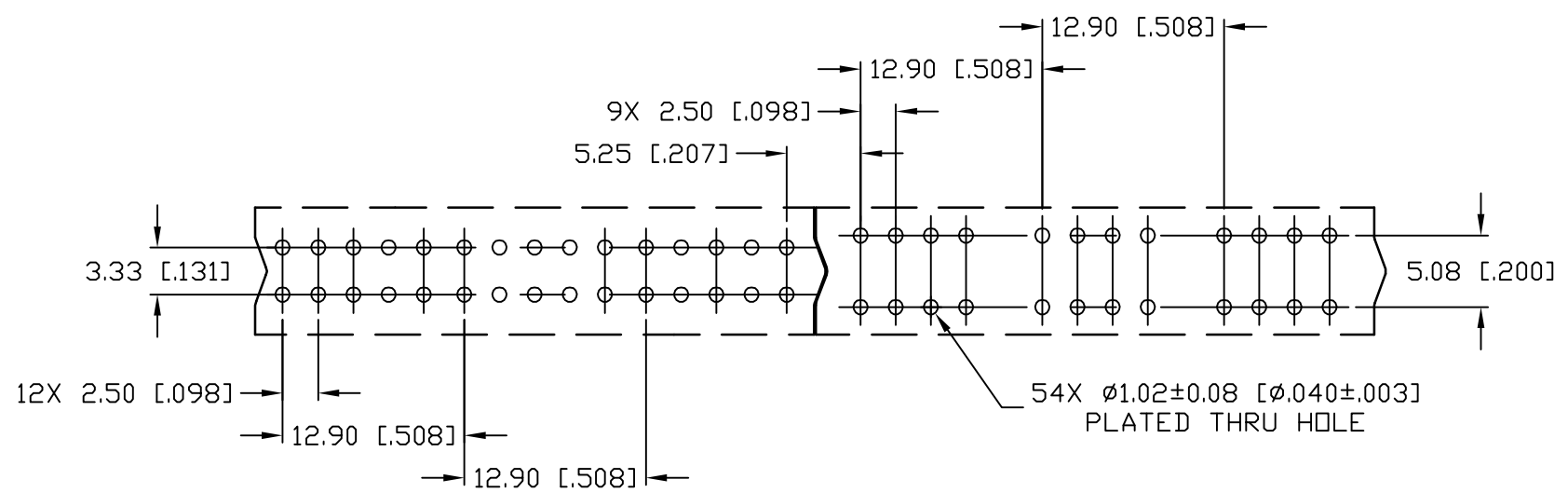
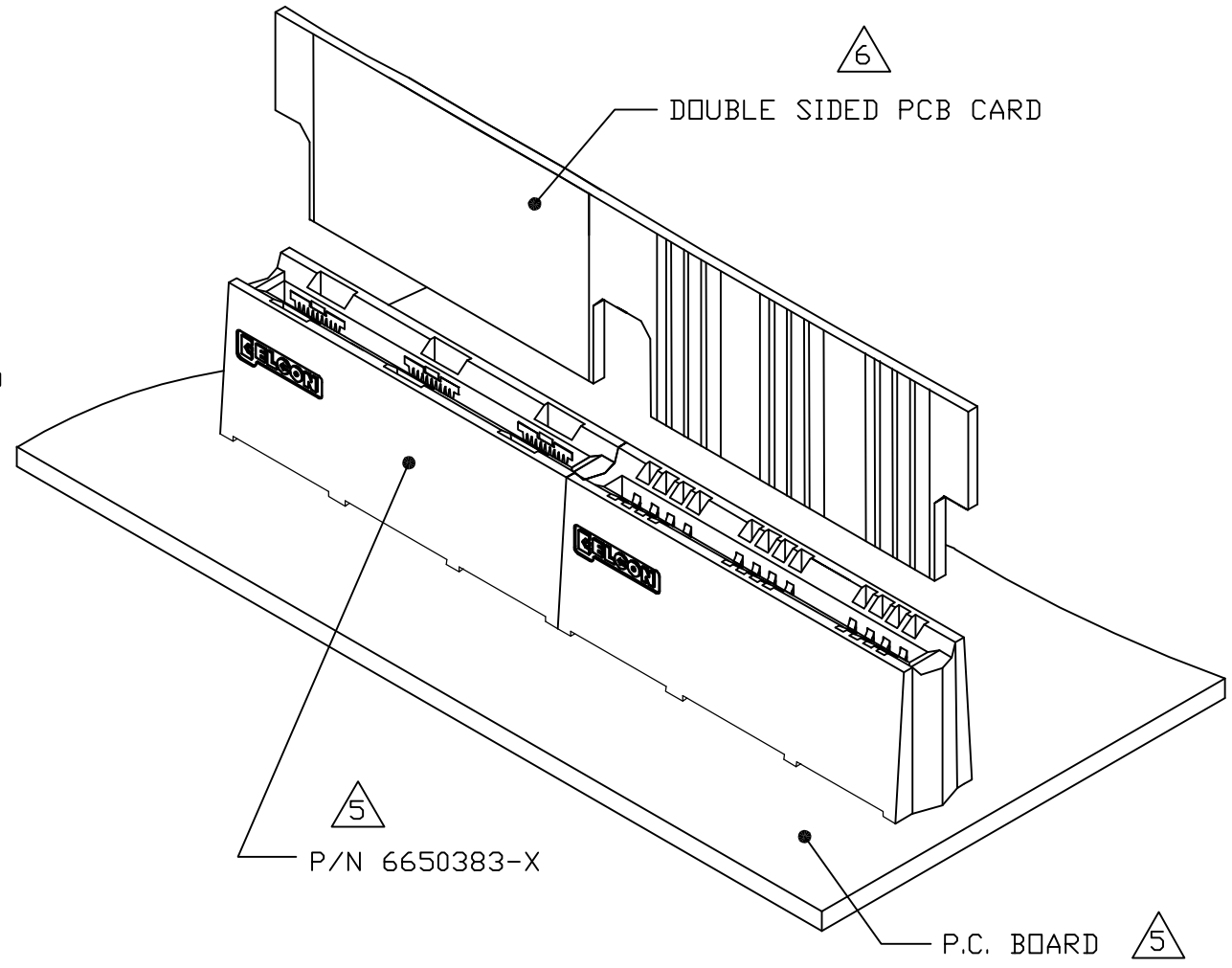
THIS DRAWING IS A CONTROLLED DOCUMENT.		DWN R.GRZYBOWSKI	24MAY06	Tyco Electronics Corporation Harrisburg, PA 17105-3608	
DIMENSIONS: mm		CHK S.FLICKINGER	24MAY06		
TOLERANCES UNLESS OTHERWISE SPECIFIED:		APVD S.FLICKINGER	24MAY06	NAME SOCKET CONNECTOR, CROWNEDGE STRAIGHT, 3 SEGMENTS, 16 SIGNAL, COMPLIANT	
0 PLC ± - 1 PLC ± .5 [.020] 2 PLC ± .25 [.010] 3 PLC ± - 4 PLC ± - ANGLES ± .5		PRODUCT SPEC -		RESTRICTED TO -	
MATERIAL -		FINISH -		APPLICATION SPEC -	SIZE A3
		WEIGHT -		CAGE CODE 00779	DRAWING NO C-6650494
CUSTOMER DRAWING				SCALE 2:1	SHEET 2 OF 4
				REV A	

THIS DRAWING IS UNPUBLISHED. RELEASED FOR PUBLICATION
 © COPYRIGHT - BY TYCO ELECTRONICS CORPORATION. ALL RIGHTS RESERVED.

LOC	DIST	REVISIONS					
GP	00	P	LTR	DESCRIPTION	DATE	DWN	APVD
		-		SEE SHEET 1	-	-	-



△ 6 DOUBLE SIDED P.C.B. CARD

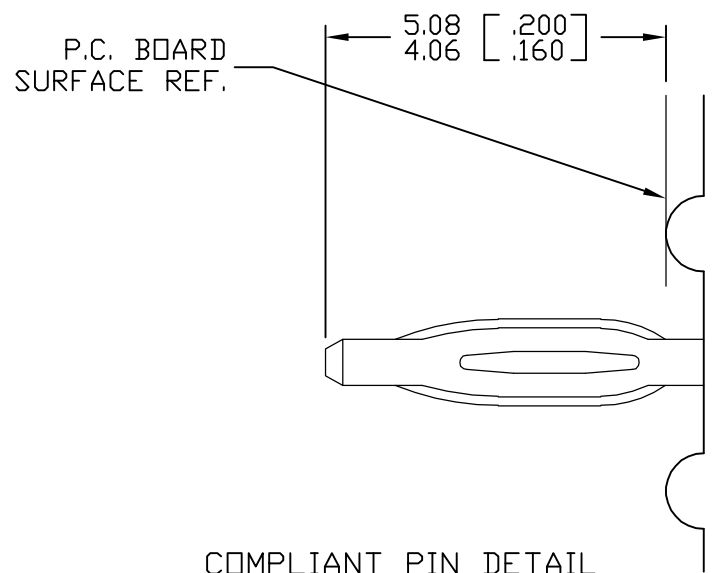


△ 5 RECOMMENDED P.C. BOARD LAYOUT

THIS DRAWING IS A CONTROLLED DOCUMENT.		DWN R.GRZYBOWSKI 24MAY06	Tyco Electronics Corporation Harrisburg, PA 17105-3608	
DIMENSIONS: mm		CHK S.FLICKINGER 24MAY06	NAME	
TOLERANCES UNLESS OTHERWISE SPECIFIED:		APVD S.FLICKINGER 24MAY06	SOCKET CONNECTOR, CROWNEDGE STRAIGHT, 3 SEGMENTS, 16 SIGNAL, COMPLIANT	
0 PLC ± -		PRODUCT SPEC -	SIZE A3	CAGE CODE 00779
1 PLC ± .5 [.020]		APPLICATION SPEC -	DRAWING NO C-6650494	RESTRICTED TO -
2 PLC ± .25 [.010]		WEIGHT -	SCALE 2:1	SHEET 3 OF 4
3 PLC ± -		CUSTOMER DRAWING	REV A	
4 PLC ± -				
ANGLES ± .5				
FINISH -				

THIS DRAWING IS UNPUBLISHED. RELEASED FOR PUBLICATION
 © COPYRIGHT - BY TYCO ELECTRONICS CORPORATION. ALL RIGHTS RESERVED.

LOC	DIST	REVISIONS			
P	LTR	DESCRIPTION	DATE	DWN	APVD
GP	00	SEE SHEET 1	-	-	-



COMPLIANT PIN DETAIL
 SCALE: 10 : 1
 INSERTION/EXTRACTION FORCES
 MAXIMUM PUSH IN: 133.3N PER PIN
 [30 LBS]
 MINIMUM PUSH OUT: 44.4N PER PIN
 [10 LBS]

RECOMMENDED PRINTED CIRCUIT HOLE
 COMPLIANT PRESS FIT
 FINISHED HOLE: $\phi 1.02$ [.040] $\pm .08$ [.003]
 DRILLED HOLE: $\phi 1.15$ [.0453] $\pm .013$ [.0005]
 COPPER PLATE: .025 [.0010] MINIMUM (PER SURFACE)
 TIN PLATE: .008 [.0003] MINIMUM (PER SURFACE)

THIS DRAWING IS A CONTROLLED DOCUMENT.		DWN R.GRZYBOWSKI 24MAY06	Tyco Electronics Corporation Harrisburg, PA 17105-3608		
DIMENSIONS: mm		CHK S.FLICKINGER 24MAY06	NAME		
		APVD S.FLICKINGER 24MAY06	SOCKET CONNECTOR, CROWNEDGE STRAIGHT, 3 SEGMENTS, 16 SIGNAL, COMPLIANT		
TOLERANCES UNLESS OTHERWISE SPECIFIED:		PRODUCT SPEC	RESTRICTED TO		
0 PLC $\pm -$ 1 PLC $\pm .5$ [.020] 2 PLC $\pm .25$ [.010] 3 PLC $\pm -$ 4 PLC $\pm -$ ANGLES $\pm .5$		APPLICATION SPEC	SIZE	CAGE CODE	DRAWING NO
MATERIAL		WEIGHT	A3	00779	C-6650494
FINISH		CUSTOMER DRAWING		SCALE	SHEET
				2:1	4 OF 4
				REV	A