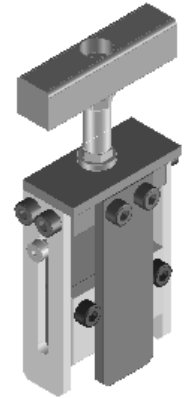




Ten50Power™ Plug Power Terminal Removal Tool Instruction Sheet Order No. 62100-6500



FEATURES

- Removes a full row (five positions) of terminals per tool cycle.
- Use tool 62100-6400 for removing the plug or receptacle housing.
- Use tool 62100-6600 for removing the receptacle terminals.

SCOPE

Products: Ten50Power™ 2 row Mezzanine Plug (76546 series) Assembly. See Product List below for specific order numbers.

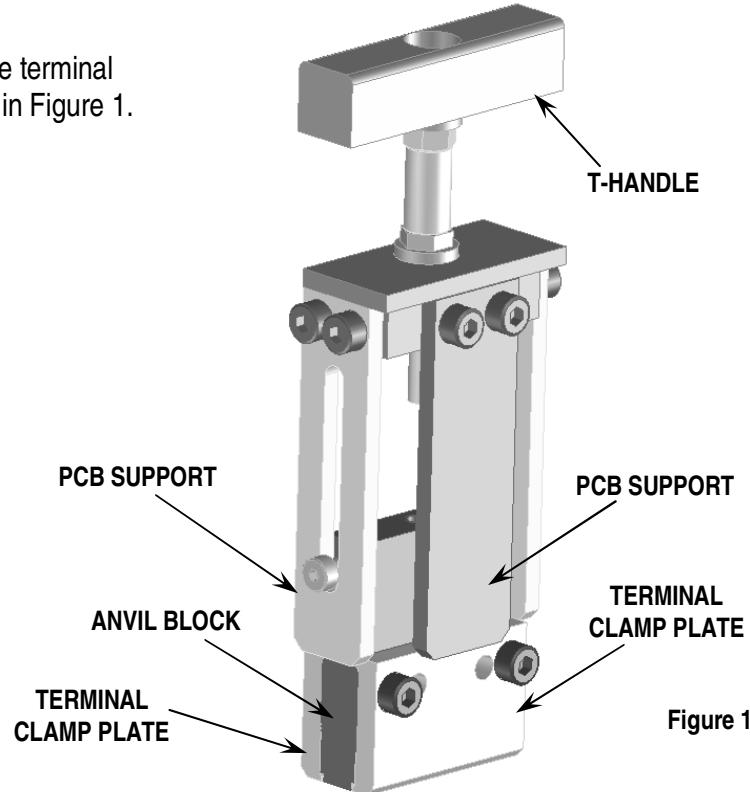
Product List

The following is a partial list of the product order numbers and their specifications that this tool is designed to run. Updates to this list are available on www.molex.com.

Connector Order Number	Description
76546-0002	Ten50Power™ 2 row Mezzanine Plug Assembly

Tool Setup

The principal parts of the terminal removal tool are shown in Figure 1.



Tool Operation

1. Remove the plug housing using Molex tool 62100-6400. The terminals will be exposed as shown in Figure 2.

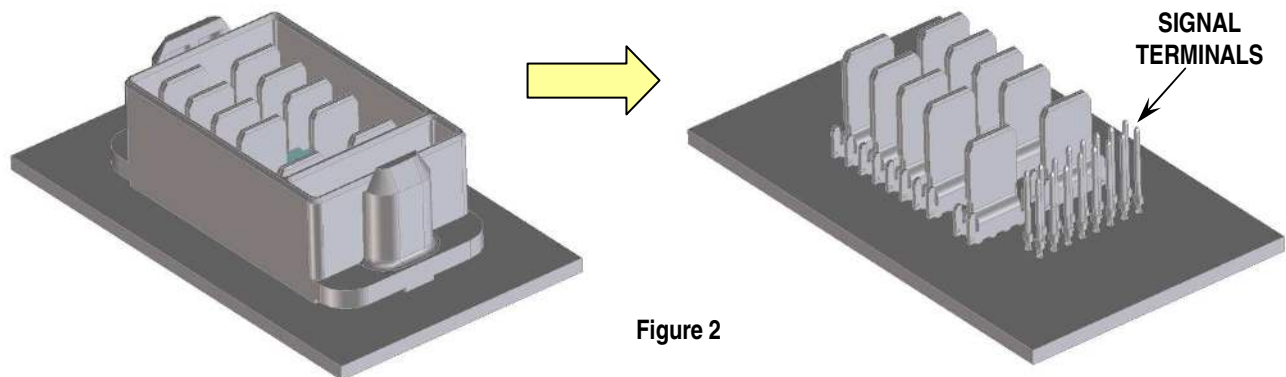


Figure 2

2. Signal terminals will interfere with the terminal removal tool. Use a long-nose pliers to remove all signal terminals.
3. Turn the T-handle counterclockwise (CCW) until the clamp plates and anvil are fully down. See Figure 1
NOTE: the threaded shaft will disengage from the anvil block.
4. Using a 3mm hex wrench, loosen the two screws holding each clamp plate 1-1/2 turns.
NOTE: If the screws are not loosened, the tool will not fit over the power terminals.
5. Move the clamp plates away from the anvil.
6. Position the tool over the row of the taller terminals.
7. Working from the top, move the anvil block and clamp plates down over the power terminals until the clamp plates rest on the shoulder of the terminal. See Figure 3.

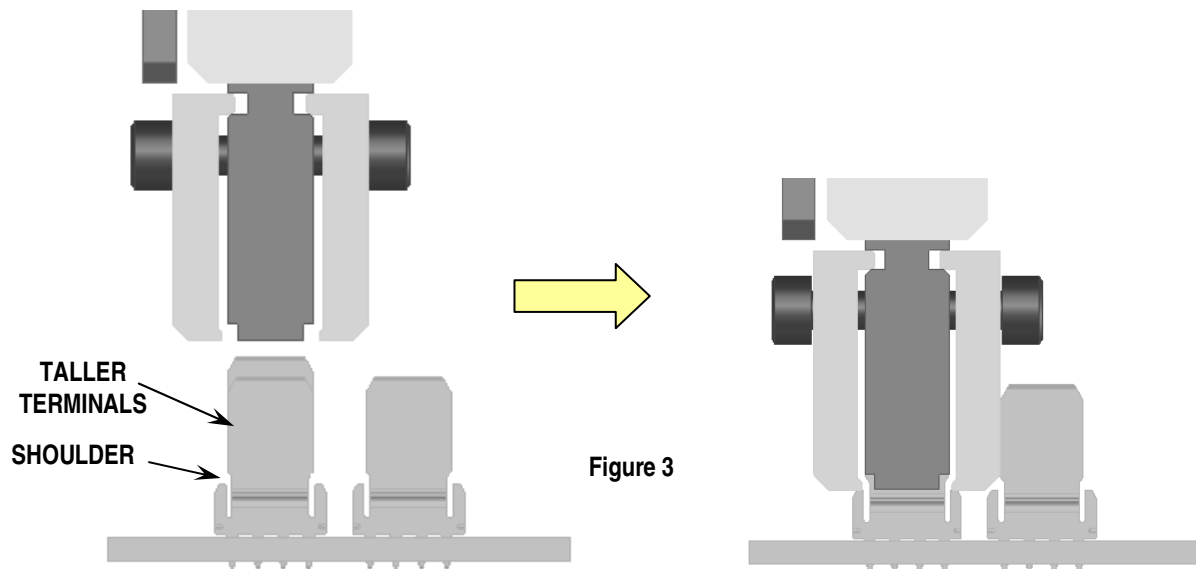


Figure 3

8. Tighten the screws holding the terminal clamp plates.
9. Turn the T-handle clockwise (CW) until the threaded shaft engages the anvil.
10. Continue turning the T-handle; the PCB supports will contact the PCB then the terminals will be pulled up.
11. When the terminals are free from the PCB, pull the tool straight up and away from the PCB.
12. Loosen the clamp plate screws and take the terminals out of the tool.
13. After terminals are removed, they cannot be reused and should be discarded or recycled.

Parts List

Item	Order No	Description	Quantity
	62100-6500	Power Terminal Removal Tool for Ten50Power™ Plug	Figure 4
1	N/A	5mm Flat Washer	2**
2	62100-6204	T-Handle	1
3	62100-6501	Spacer Plate	1
4	62100-6503	Anvil Block	1
5	62100-6506	Terminal Clamp Plate	2
6	62100-6507	Center Support	1
7	62100-6508	Side Plate Guide	2
8	63600-1937	Shoulder Screw	2
9	63600-1959	Collar	1
10	63600-1960	Stop Screw	1
11	63700-4512	Retaining Washer	1
12	N/A	M5 x 0.8 Jam Nut	1**
13	N/A	M4 by 8mm long SHCS	6**
14	N/A	M4 by 12mm long SHCS	4**

** Available from an industrial supply company such as MSC (1-800-645-7270).

Assembly Drawing

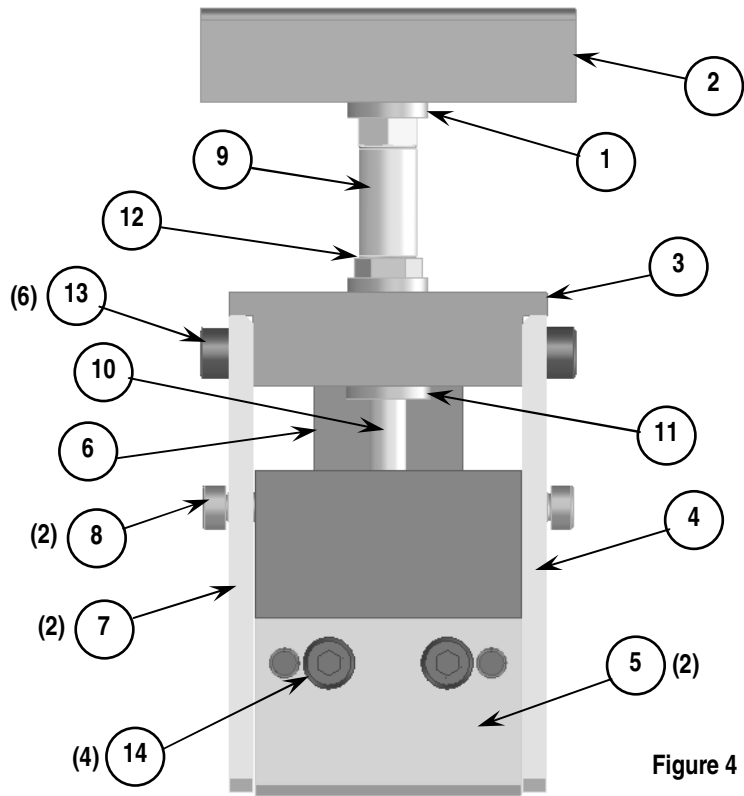


Figure 4

Contact Information

For more information on Molex application tooling please contact Molex at 1-800-786-6539.

Americas Headquarters
 Lisle, Illinois 60532 U.S.A.
 1-800-78MOLEX
 amerinfo@molex.com

Far East North Headquarters
 Yamato, Kanagawa, Japan
 81-462-65-2324
 feninfo@molex.com

Far East South Headquarters
 Jurong, Singapore
 65-6-268-6868
 fesinfo@molex.com

European Headquarters
 Munich, Germany
 49-89-413092-0
 eurinfo@molex.com

Corporate Headquarters
 2222 Wellington Ct.
 Lisle, IL 60532 U.S.A.
 630-969-4550
 Fax: 630-969-1352

Visit our Web site at <http://www.molex.com>