

PRODUCT NUMBER
10119332-YXX-XXLF

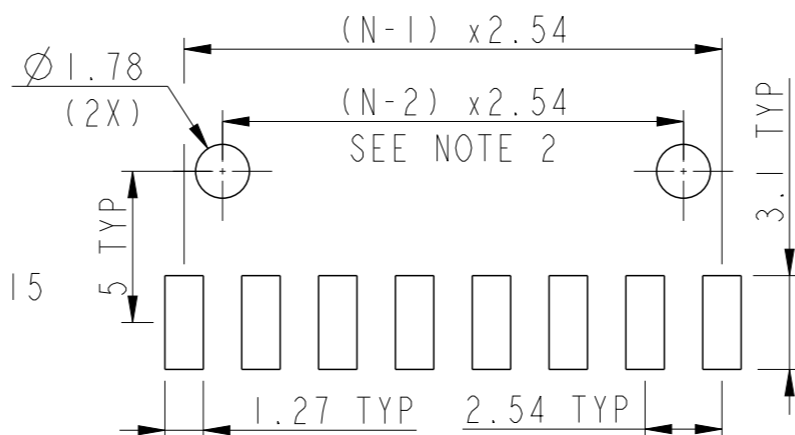
PLATING
1=0.76µm GXT/GOLD ON CONTACT
2µm TIN MIN ON TAILS
4=2µm TIN MIN FULL PLATED

RoHS COMPATIBLE
NOTE 4
TOTAL NUMBER OF
POSITIONS : 02 TO 15
AS AVAILABLE
PACKAGING, NOTE 3

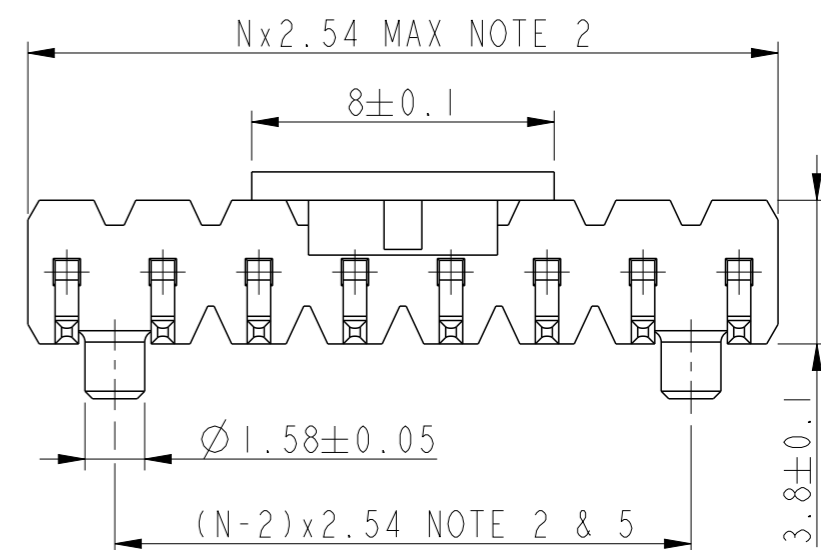
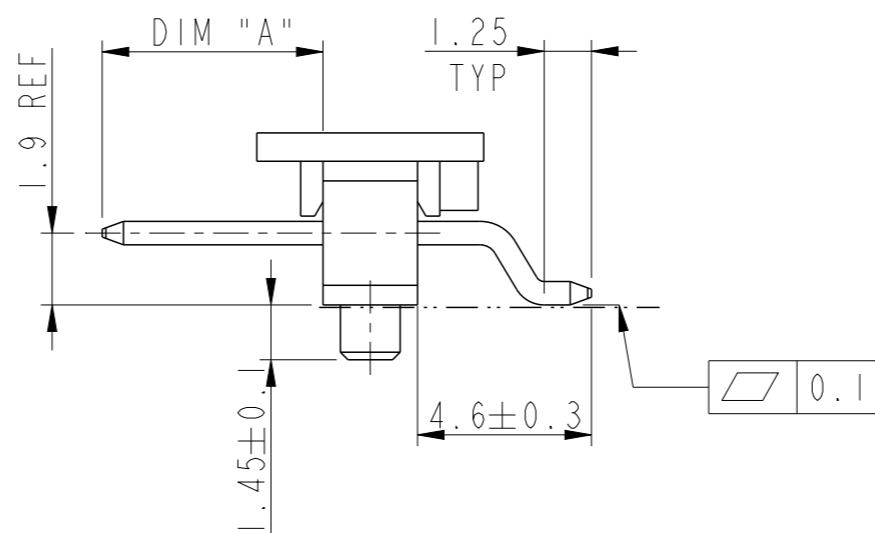
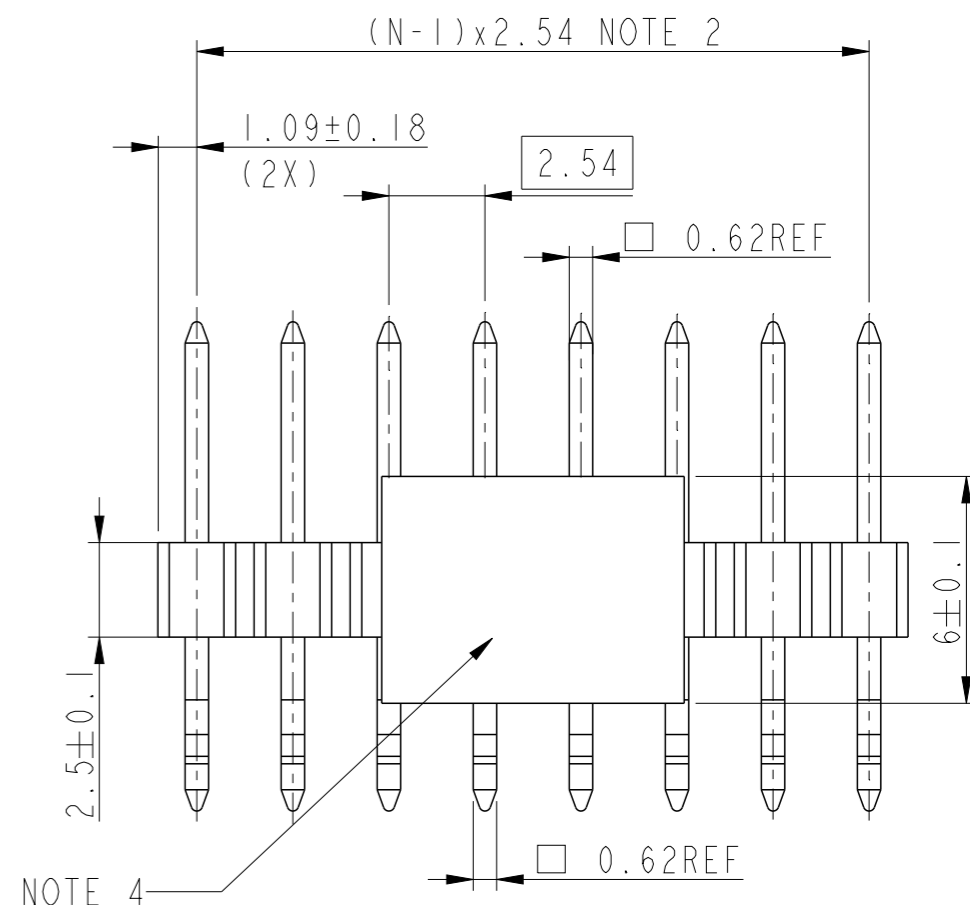
STYLE	DIM "A" ±0.2
01	5.84
02	8.08
03	10.67
04	3.00

NOTES:

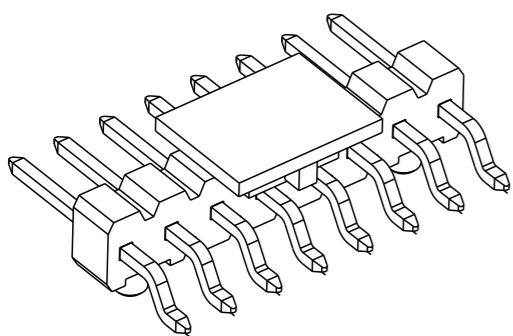
- 1 - MATERIAL:
 - BODY: HIGH TEMPERATURE THERMOPLASTIC
UL94V-0 COLOR BLACK
 - PIN : COPPER ALLOY23 - TO DETERMINATE DIMENSIONS :
- 2 - N = NUMBER OF POSITIONS
EXAMPLE : 8 POS x 2.54=20.32
- 3 - PACKAGING:
 - A = TAPE & REEL PACKAGING WITH PICK-UP CAP
AS PER GS-14-2357
 - = POLYBAGS
 - KV = TAPE & REEL WITHOUT CAP FOR CUSTOMER
DEDICATED PART PER SPAF0432
 - K = TAPE & REEL WITHOUT CAP PER SPAF0432
- 4 - RoHS COMPATIBLE PRODUCT SPECIFICATIONS :
 - a - PLATING :
"LF" MEANS THE PRODUCT IS LEAD FREE 2µm MIN
MATTE TIN OVER 1.27µm MIN NICKEL UNDERPLATED
 - b - MANUFACTURING PROCESS COMPATIBILITY :
THE HOUSING WILL WITHSTAND EXPOSURE TO 260°C PEAK
TEMPERATURE FOR 30 SECONDS MAX IN CONVECTION,
INFRA-RED OR VAPOR PHASE OR REFLOW OVEN
 - c - LABELLING :
MEETS PACKAGING SPECS AS PER GS-14-920
 - d - LEGAL STATEMENT : SEE GS-47-0004
- 5 - FOR 2 POSITIONS ONLY ONE CENTRAL PEG
- 6 - PRODUCT SPECIFICATION AS PER BUS-12-114
EXCEPT PIN RETENTION FORCE 5N MIN.



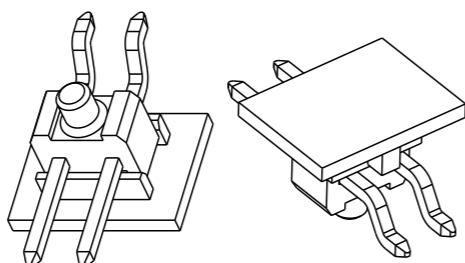
PCB LAYOUT



VIEW OF 2 POS
NOTE 5



SCALE 3:1



SCALE 3:1

spec ref	dr	Aymeric Soudy	2014/02/21	projection	MM	size	A3	scale	5:1
tolerance std	eng	J M Compagnon	2015/07/03			ecn no	ELX-B-21308-1	rel level	Released
ISO 406 ISO 1101	chr	Laurent Mulin	2015/07/03						
surface	linear	0.X	±0.3		title 2.54mm UNSH HEADER HORIZ SINGLE ROW SMT WITH PEG	dwg no	10119332	rev	E
		0.XX	±0.13						
ISO 1302	angular	0°	±2°	www.fci.com	cat. no.	-	Product - Customer Drw	sheet 1 of 1	



Copyright FCI.