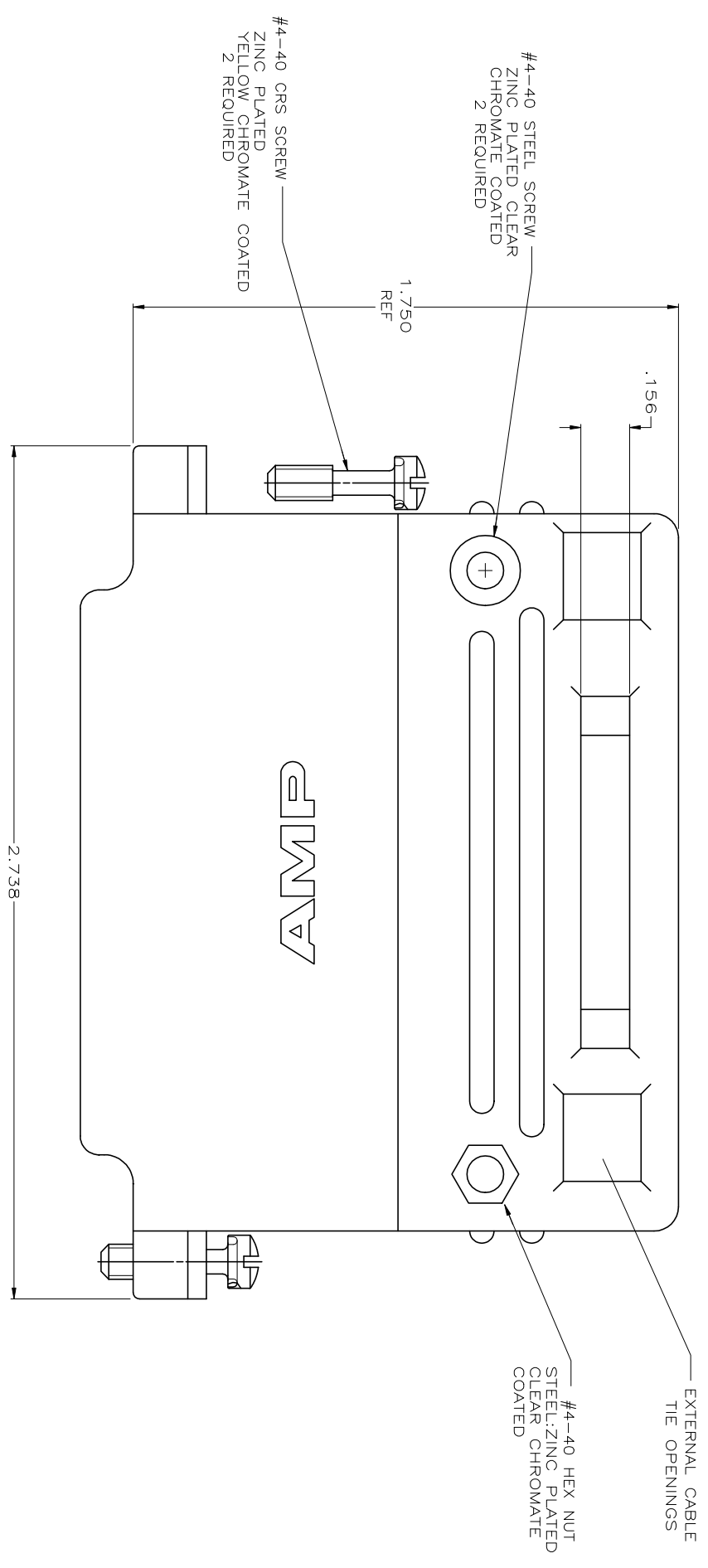
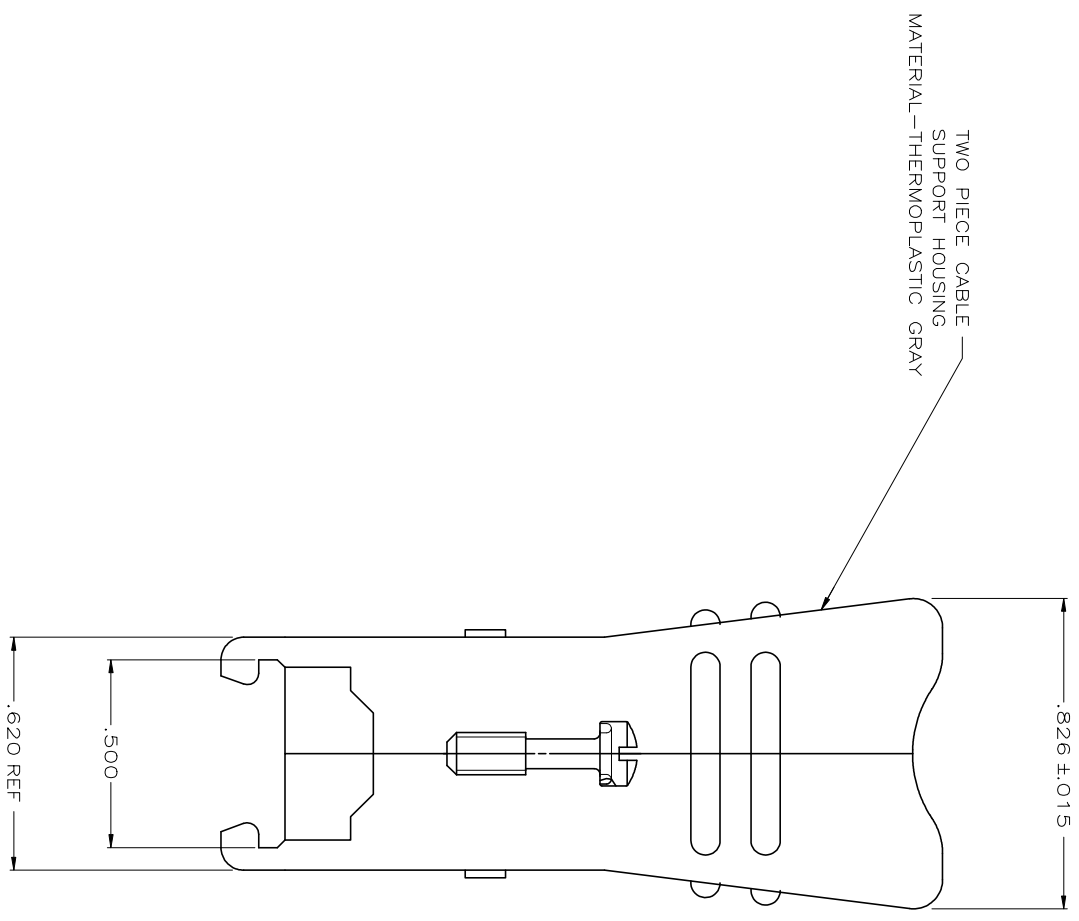
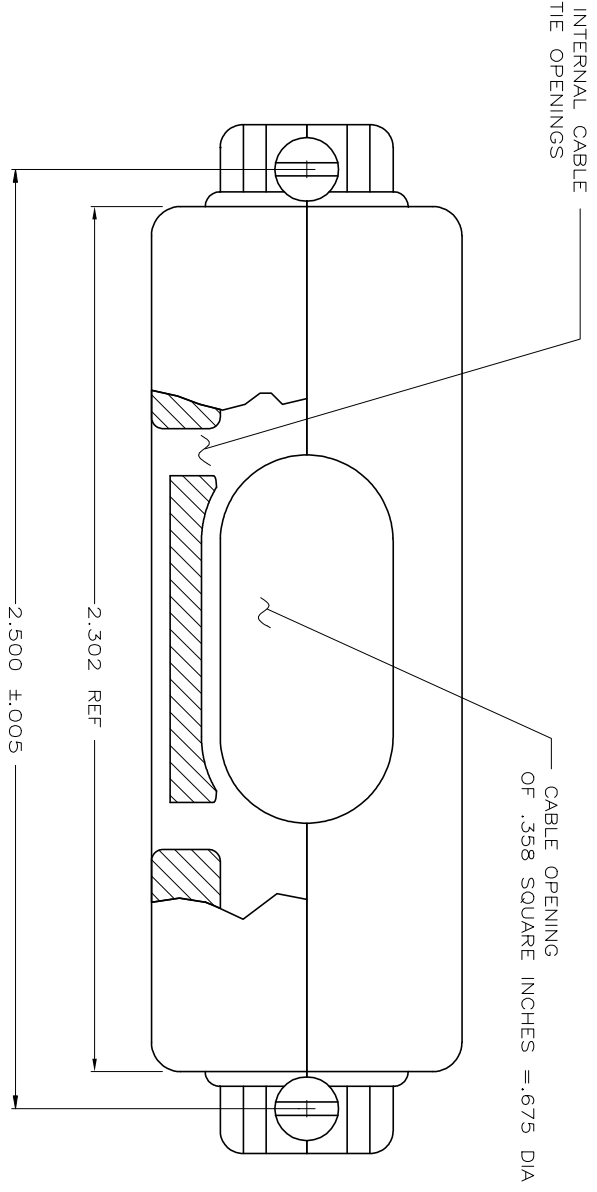


REVISIONS			
REV	DATE	BY	APP
B	2008/02/20	AK	JW
REVISED PER ECO-20-00934			

- 1 THIS PART WILL FIT ANY SIZE 4 PLUG OR RECEPTACLE IN THE AMPLIMITE SERIES CONNECTOR.
- 2 ALL PARTS ARE PACKAGED UNASSEMBLED.
- 3 ONE KIT PER POLY BAG.
- 4 SAME AS -1 EXCEPT BULK PACKAGED

OBSOLETE



OBSOLETE	A	5745081-2
OBSOLETE	3	5745081-1

PACKAGING PART NUMBER

THIS DRAWING IS A CONTROLLED DOCUMENT.

DESIGNER'S INITIALS	DATE	REV	DESCRIPTION
OK	13SEP08	1	CABLE SUPPORT ASSEMBLY, SIZE 4, 37 POSITION, 90°/180° AMPLIMITE HD-20

OK: R. RICHARDSON  
 CK: C. ROHDE

DESIGNER: M. WALMSLEY  
 PRODUCT SPEC: M. WALMSLEY  
 APPLICATION SPEC: M. WALMSLEY

MATERIAL: SEE CALLOUTS  
 FINISH: SEE CALLOUTS

WEIGHT: —  
 SCALE: 4:1  
 SHEET 1 OF 1  
 REV B

STE TE Connectivity