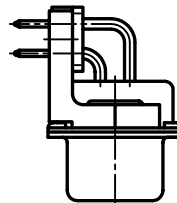
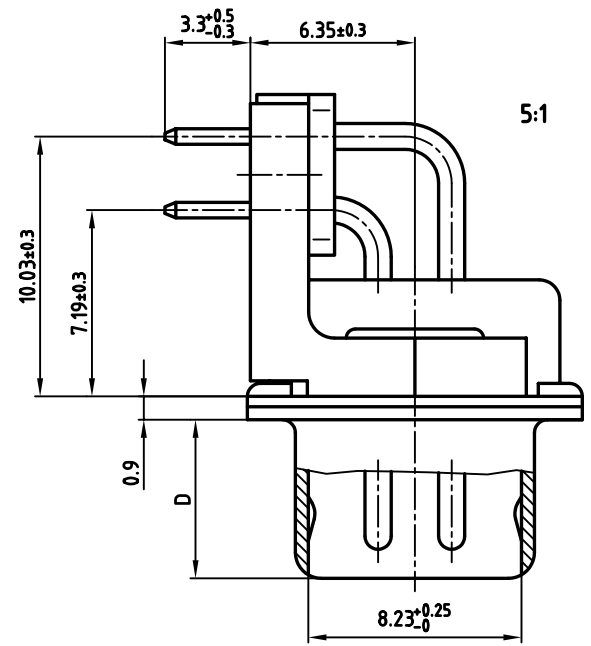
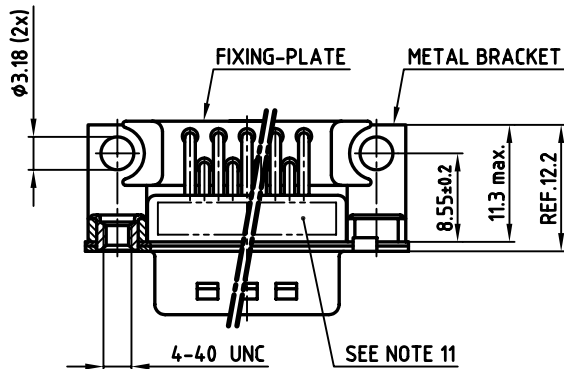
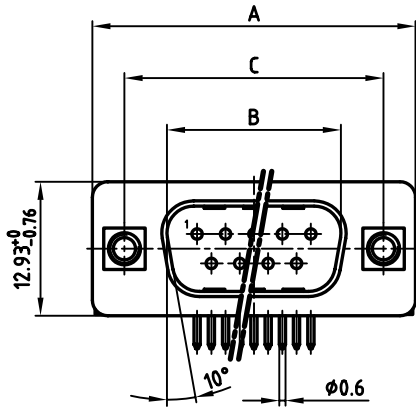


No. of pos.	A ^{-0.76}	B ^{+0.25}	C	D ^{-0.3}	Part NO.
9	31.19	16.79	25.00 ^{+0.12 -0.13}	6.12	241A19800X
15	39.52	25.12	33.30 ^{+0.15 -0.1}	6.12	241A19810X
25	53.42	38.84	47.04 ^{+0.13}	5.99	241A19820X
37	69.70	55.30	63.50 ^{+0.13}	5.99	241A19830X



NOTES:

- METALSHELLS: STEEL; min. 315µin TIN over 40-80µin NICKEL
- INSULATORS: HIGH TEMPERATURE PLASTIC UL 94 V-0, BLACK
- CONTACTS: COPPER ALLOY
PLATING: 8µin HARD GOLD OVER min. 50µin NICKEL
CONTACT TAILS PRETINNED
- METAL BRACKET: ZINC DIE CAST; 300µin COPPER/40-120µin NICKEL/120-200µin TIN
- THREADED INSERT: COPPER ALLOY; min. 200µin TIN over 80µin NICKEL
- FIXING-PLATE: PBT GF UL 94 V-0, BLACK
- P.C.B. HOLE DRILLINGS ON SHEET 2
- CAPACITANCE: 180pF ±20%
- DIELECTRIC WITHSTANDING VOLTAGE: 424 VDC
- MAXIMUM TORQUE VALUE FOR THREAD: 6 in.LB
- CONNECTOR IS PART MARKED: PART-NO. CONEC ABC

Directive 2002/95/EC
RoHS
Compliant

APPROVAL # FREIGABE # DEBLOCAGE # AUTORIZACION # APPROVAL

CUSTOMER APPROVAL DATE:

NAME: TITLE:

COMPANY NAME:

APPROVAL # FREIGABE # DEBLOCAGE # AUTORIZACION # APPROVAL

THIS DRAWING MAY NOT BE COPIED OR REPRODUCED IN ANY WAY, AND MAY NOT BE PASSED ON TO A THIRD PARTY, WITHOUT WRITTEN PERMISSION. OWNERSHIP AND COPYRIGHT OF CONEC GmbH. DO NOT ALTER CAD DRAWING BY HAND

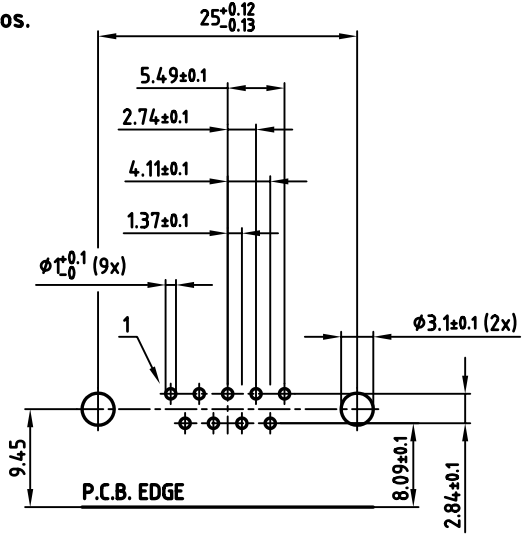
rev.	description	date	name
a	Origin		

tolerance		scale:	2:1 (5:1)
	dim. in mm	material:	SEE NOTES
2006	date	name	title:
drawn	24.10.	Lehmenkühler	D-SUB FILTER MALE 90°
appd.	24.10.	Mickenbecker	9-37pos. 0.318inch
norm	DIN 41652		with threaded insert, metal bracket, fixing-plate
d-old			dwg no: AutoCAD 2006 DIN-A
			24K1A937
			part no: SEE TABLE

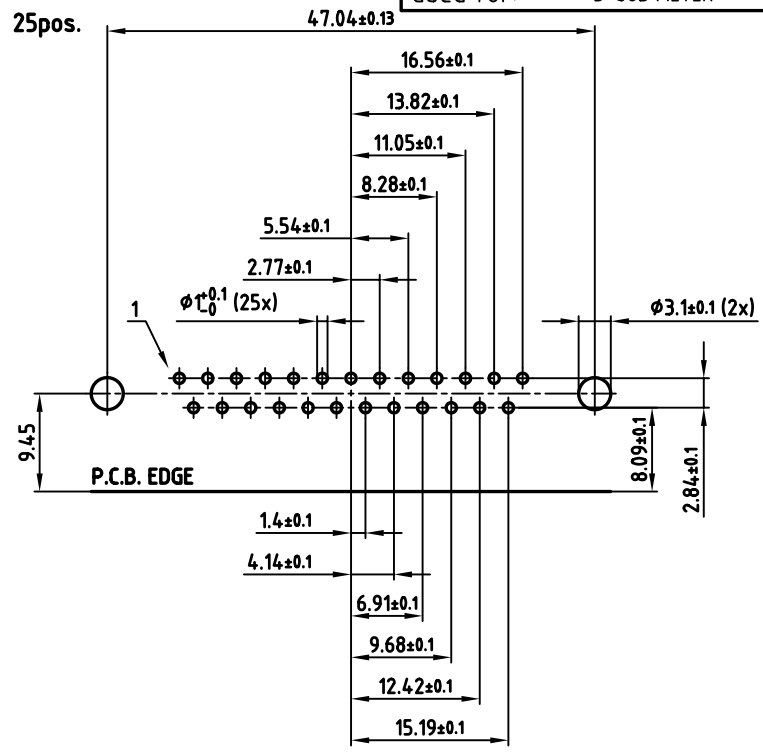
dwg no: AutoCAD 2006 DIN-A

3 sh:1/2

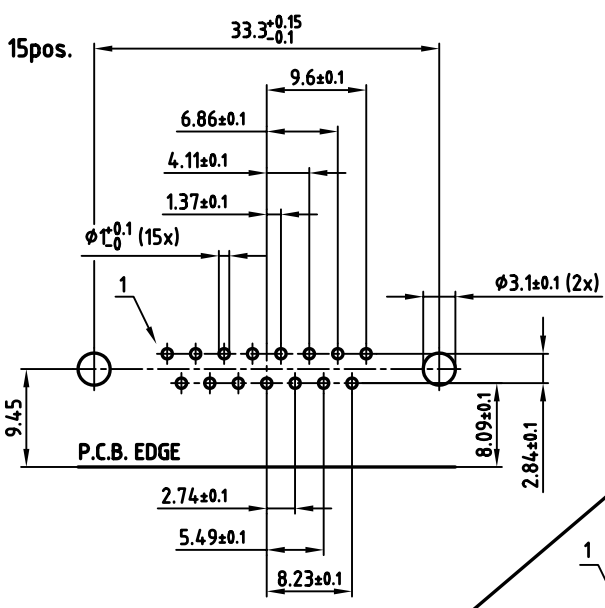
9pos.



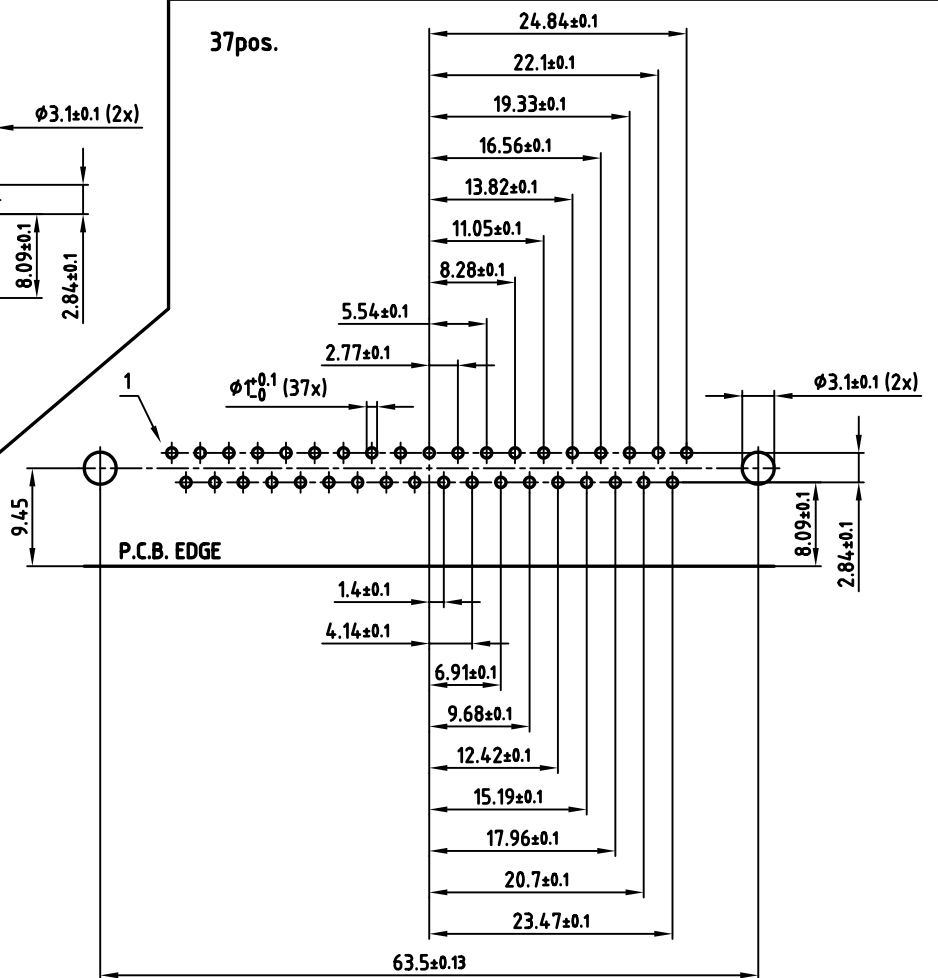
25pos.



15pos.



37pos.



used for: D-SUB FILTER

APPROVAL # FREIGABE # DEBLOCAGE # AUTORIZACION # APPROVAL

CUSTOMER APPROVAL DATE:

NAME: TITLE:

COMPANY NAME:

APPROVAL # FREIGABE # DEBLOCAGE # AUTORIZACION # APPROVAL

THIS DRAWING MAY NOT BE COPIED OR REPRODUCED IN ANY WAY, AND MAY NOT BE PASSED ON TO A THIRD PARTY, WITHOUT WRITTEN PERMISSION. OWNERSHIP AND COPYRIGHT OF CONEC GmbH DO NOT ALTER CAD DRAWING BY HAND

rev.	description	date	name
a	Origin		

tolerance		scale:	2:1
	dim. in mm	material:	SEE SHEET 1
2006	date	name	
drawn	24.10.	Lehnenkühler	
appd.	24.10.	Mickenbecker	
norm	DIN 41652		
d-old			

title: **P.C.B. HOLE DRILLINGS**
D-SUB FILTER MALE 90° 9-37pos. 0.318inch with threaded insert, metal bracket, fixing-plate

dwg no: AutoCAD 2006 DIN-A 3 sh:2/2

part no: **24K1A937** SEE SHEET 1