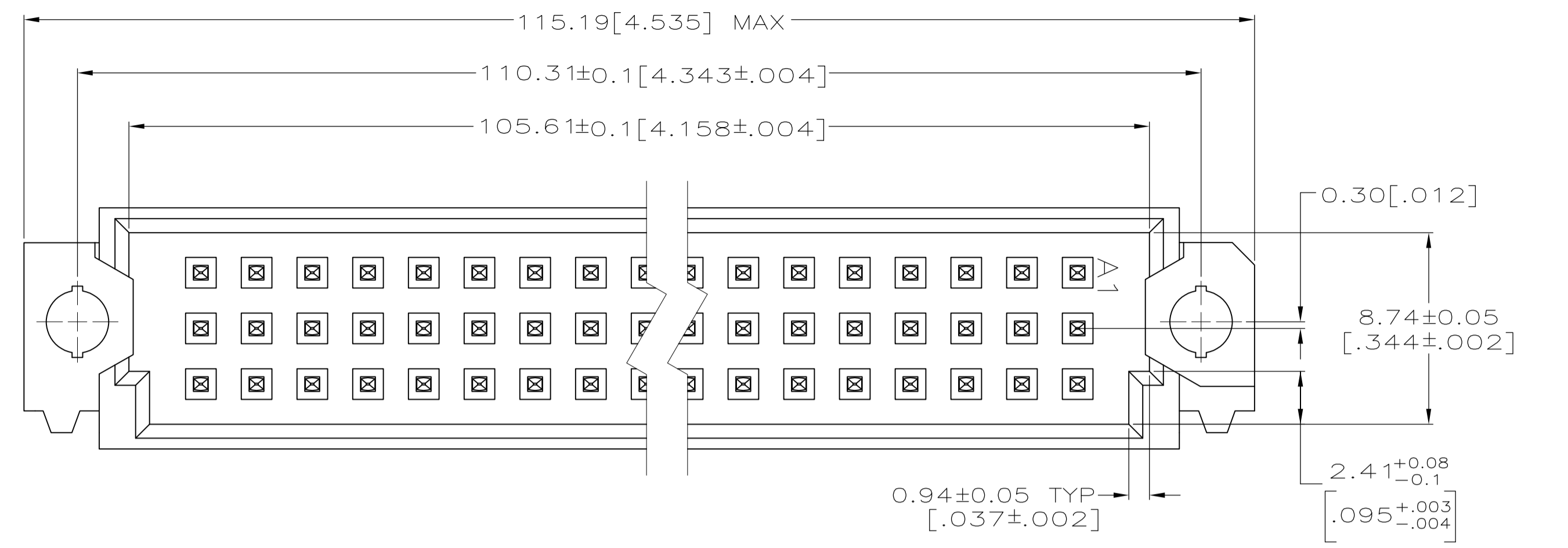
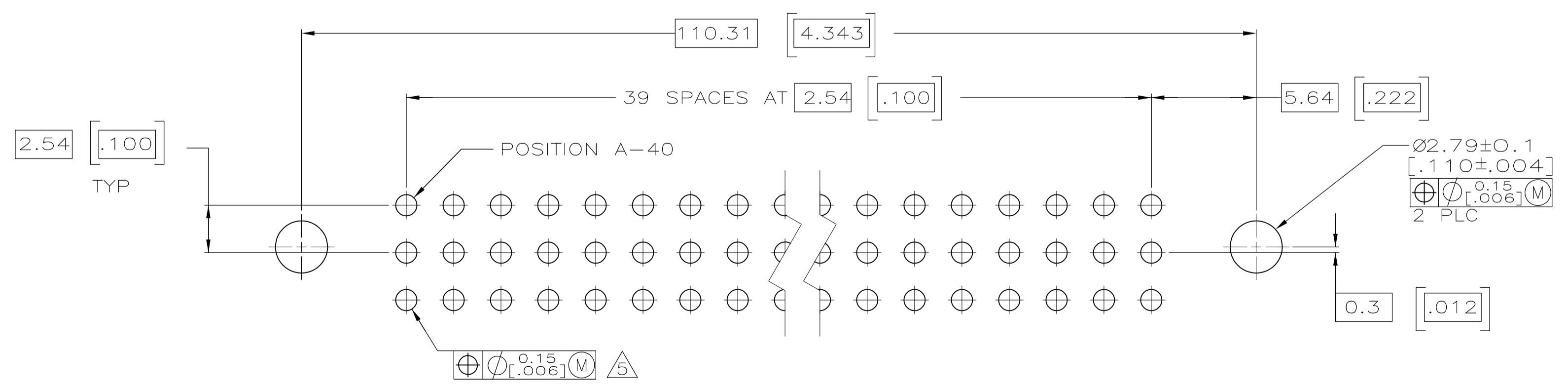
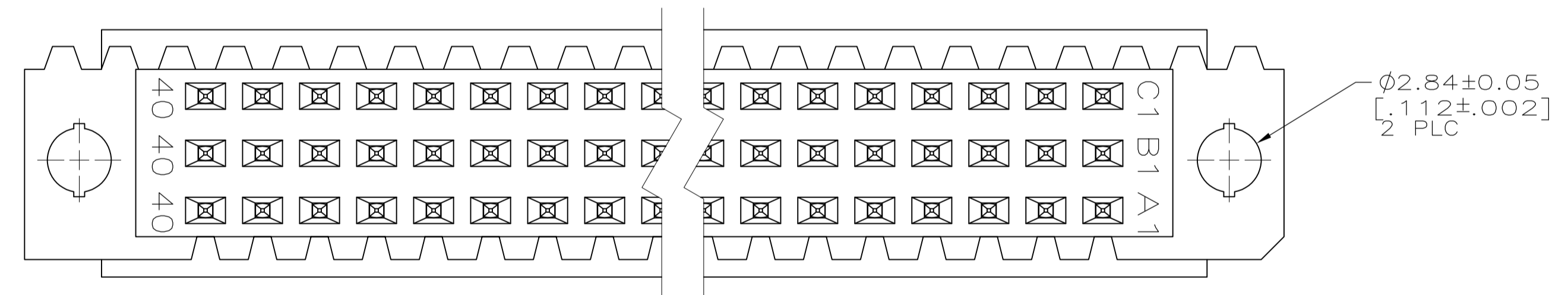
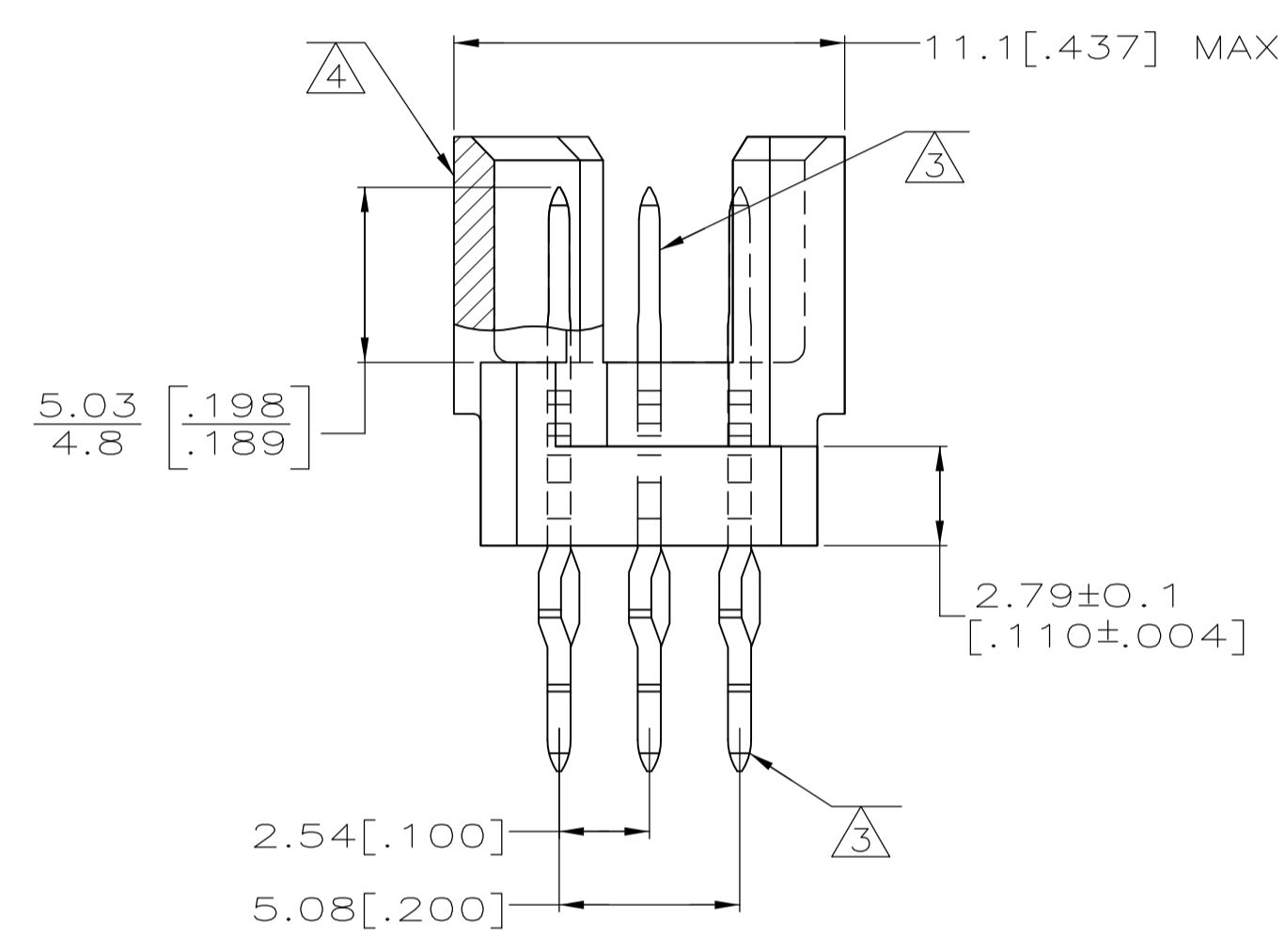
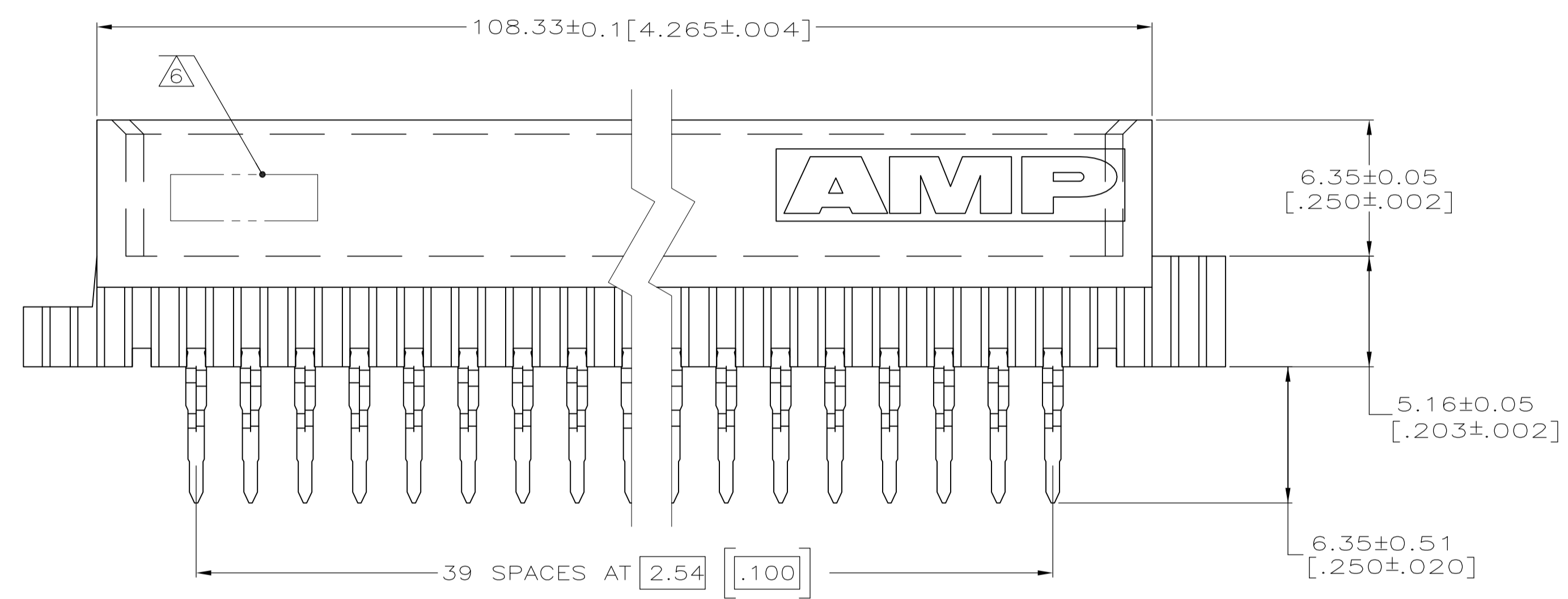


LOC		DIST		REVISIONS				
P	LTR	DESCRIPTION	DATE	DMN	APVD			
01		REVISED PER ECO-07-012819	28JUN07	DH	DB			



- ① HOUSING MATERIAL: GLASS-FILLED POLYMER.
- ② POST MATERIAL: COPPER ALLOY.
- ③ POST FINISH: DIN 41612 CLASS 2 IN CONTACT AREA. TIN PLATE ON POSTS.
- ④ MARKING ON THIS SIDE.
- ⑤ ACTION PIN POSTS REQUIRE 2.36[.093] MINIMUM THICK PC BOARD. RECOMMENDED PC BOARD HOLES ARE 1.151[.0453] DIA PLATED THROUGH WITH 0.02-0.08[.001-.003] COPPER AND 0.008[.0003] MINIMUM TIN-LEAD PLATING. FINISHED HOLE AFTER PLATING, 0.94-1.09[.037-.043] DIA.
- ⑥ PART NUMBER, DATE CODE MARKED THIS APPROXIMATE AREA.



1-40	X	X	X	120	5650921-5
POSITIONS LOADED	C	B	A	NO. OF LOADED POSITION	ASSY PART NUMBER

THIS DRAWING IS A CONTROLLED DOCUMENT.		DIN	J. POLIGNONE	OSMAYOS	Tyco Electronics Corporation Harrisburg, Pa 17105-3608		
DIMENSIONS: mm [INCHES]		CHK	A. SHARPE	OSMAYOS	Tyco Electronics Corporation		
TOLERANCES UNLESS OTHERWISE SPECIFIED:		APVD	A. SHARPE	OSMAYOS	NAME		
0. PLC	± -	PRODUCT SPEC		ASSEMBLY, PIN, EUROCARD, TYPE R, 120 POSITION, 6.35[.250] PRESS-FIT POSTS			
1. PLC	± -	APPLICATION SPEC		SIZE	CAGE CODE	DRAWING NO	RESTRICTED TO
2. PLC	± 0.13[.005]			A1	00779	5650921	-
3. PLC	± -			CUSTOMER DRAWING	SCALE	SHEET	REV
4. PLC	± -				5:1	1 OF 1	01
ANGLES	± -						