



# har-flexicon 1.27

## PCB male connector, horizontal



### General information

Design	PCB male connector	
No. of contacts	4-poles	
Contact pitch	1.27 mm	
Test voltage	500 V	
Rated voltage	16 V	overvoltage category II / pollution degree 2
Contact resistance	max. 20mOhm	
Insulation resistance	min. 10 <sup>10</sup> Ohm	
Working current	2.7A at 70°C ( tested with AWG26/19, see derating diagram )	
Temperature range	-40°C ... +125°C	
Termination technology	SMT	
Reflow processing temperature	20s at 255°C	
Clearance & creepage distance	Clearance: min. 0.45 mm	Creepage: min. 0.45 mm
Insertion force	7 N	
Withdrawal force	11 N	
Hot plugging	No	
vibration	10-2000Hz, 1.5mm/20g, 10 sweep cycles	
shock	50g/ 11ms; 10 shocks par axis and direction	
RoHS - compliant	Yes	
UL file	E 102079	

### Insulator material

Material	LCP (liquid crystalline polymer, glass fiber reinforcement 30%)	
Color	black	
UL classification	UL 94-V0	
Material group acc. IEC 60664-1	IIIa (175 < CTI < 400)	
NFF classification	-	

### Contact material

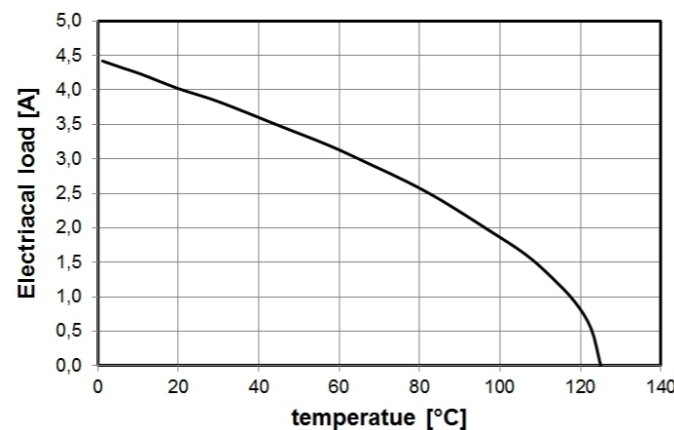
Contact material	Copper alloy	
Plating termination zone	Sn over Ni	
Plating contact zone	Au over Ni	

### Derating diagram acc. to IEC 60512-5-2 (Current carrying capacity)

The current carrying capacity is limited by maximum temperature of materials for inserts and contacts including terminals.

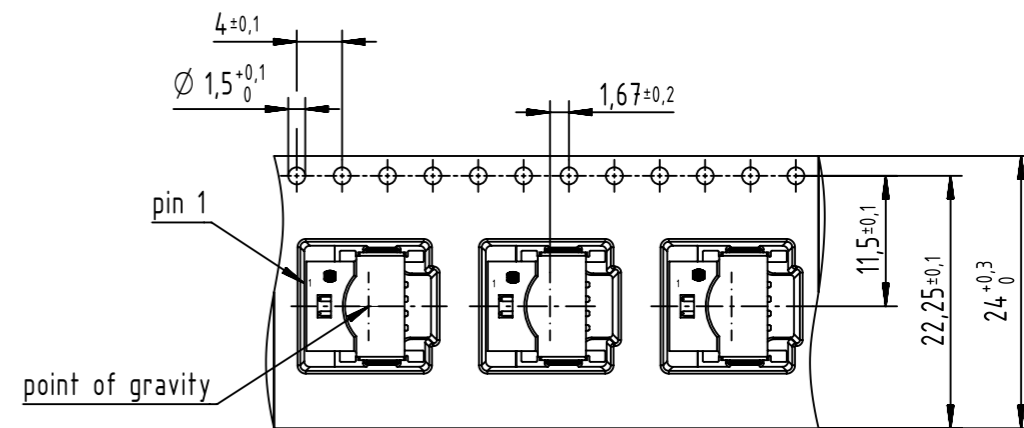
The current capacity curve is valid for continuous, non interrupted current loaded contacts of connectors when simultaneous power on all contacts is given, without exceeding the maximum temperature.

Control and test procedures according to IEC 60512-5-2

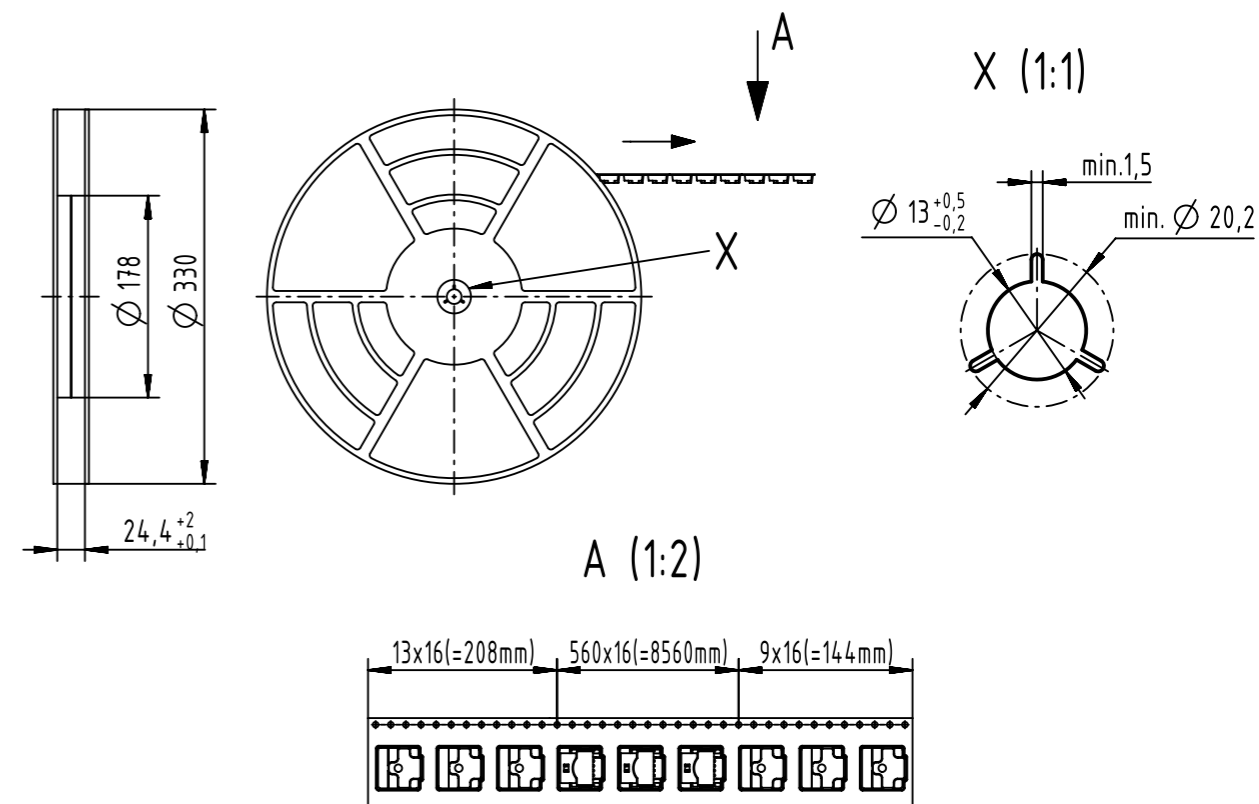


tested with AWG26/19

### Packaging & tape layout



### Reel dimensions



packaging		index
tape and reel	with 560 pcs per reel	000
tape	with 1 pcs per reel	333

part-number	14 1104 10002XXX
-------------	------------------

	All Dimensions in mm Original Size DIN A3	Scale 1:1	Free size tol.	Ref.	Sub. DS 14111200301	ECM-no.: 500000067191	14.10.2013
	All rights reserved Department EC PD - DE	Created by HASSE	Inspected by LUETTERMANN	Standardisation HOFFMANN	Date 2014-11-25	State Final Release	Doc-Key / ECM-Nr. 100532475/UGD/001/D 500000082339
HARTING Electronics GmbH D-32339 Espelkamp	Title har-flexicon 1.27 male connector horizontal		Type DS	Number 14 111200301	Rev. D	Page 1/1	