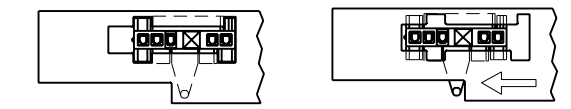
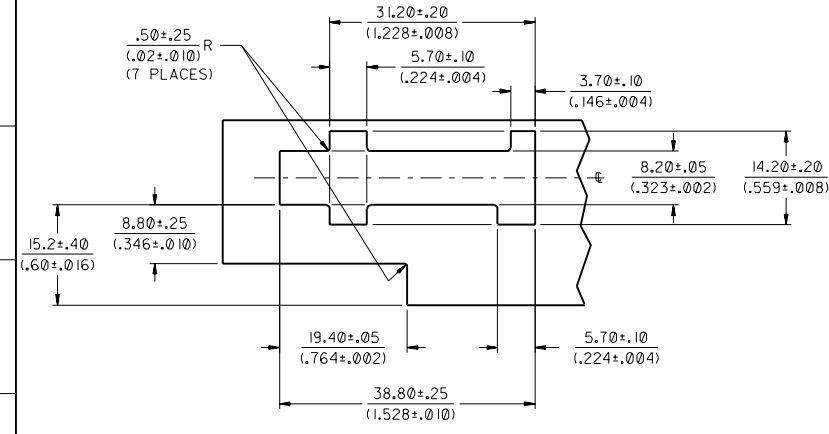
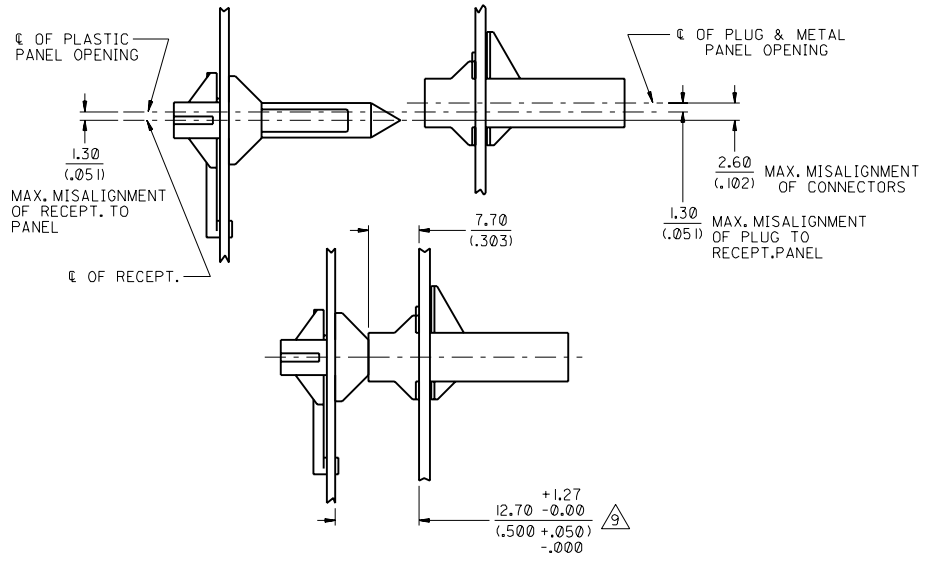
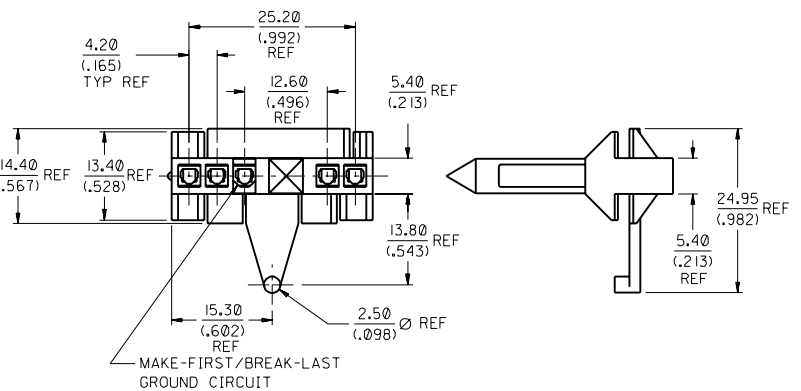
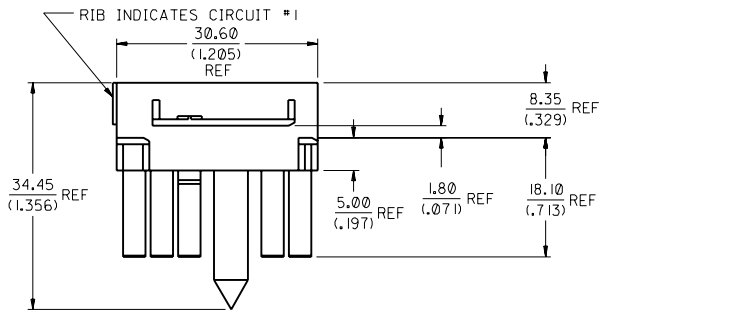


MATERIAL NO.	HOUSING VERSION	PANEL THICKNESS	PANEL TYPE
44156-1001	FLOATING RECEPTACLE	$\frac{1.30 \pm .20}{(.05 \pm .008)}$	MOLDED PLASTIC

NOTES:

1. MATERIAL: HOUSINGS: PBT, UNFILLED, UL 94V-0. COLOR: BLACK.
TERMINAL: HIGH CURRENT COPPER ALLOY.
2. FINISH: OVERALL TIN PLATE.
3. PRODUCT SPEC.: NONE
4. DIMENSIONS GIVEN ACROSS C'S ARE SYMMETRICAL ABOUT THOSE C'S WITHIN THE TOTAL TOLERANCE.
5. THIS RECEPTACLE IS DESIGNED TO BE USED WITH FEMALE TERMINAL 44476-***1*.
6. THIS RECEPTACLE IS DESIGNED TO ALLOW $1.30/ (.05)$ FLOAT IN ANY DIRECTION FROM CENTER.
7. THIS RECEPTACLE IS DESIGNED TO MATE WITH PANEL MOUNT PLUG NO. 44157-1001 & -1002.
8. ASSEMBLIES ARE NOT TO BE MATED OR UNMATED WHILE CIRCUITS ARE LIVE.
9. A MAXIMUM TOLERANCE OF $1.20/ (.050)$ ALLOWS FOR 2 POINTS OF CONTACT. A MAXIMUM TOLERANCE OF $.51/ (.020)$ ALLOWS FOR 4 POINTS OF CONTACT.
10. WIRES MUST BE DRESSED TO ALLOW THE CONNECTOR TO FLOAT FREELY IN THE PANEL.



PANEL MOUNTING INSTRUCTIONS

FULL SCALE

RELEASED EC NO. UCR2000-0269 DRWNG: COMERC1 99/10/19 CHK'G: COMERC1 99/10/19 APPR: COMERC1 99/10/19	QUALITY SYMBOLS MAJOR CRITICAL	GENERAL TOLERANCES: (UNLESS SPECIFIED)		SCALE 2 : 1	DESIGN UNITS <input checked="" type="checkbox"/> mm <input type="checkbox"/> INCH	DIMENSIONS: <input checked="" type="checkbox"/> mm <input type="checkbox"/> INCH <input type="checkbox"/> ONLY	SHT	REV	
		4 PLACES ±0.--- ±.---	3 PLACES ±0.--- ±.---	2 PLACES ±0.--- ±.---	1 PLACE ±0.--- ±.---	DRAWN BY & DATE COMERC1 99/10/19	TITLE: B.M.I. FLOATING RECEPT., 5.0/ (.197) MIN. I.E.C. SPEC. MINI-FIT JR. SERIES		
		ANGULAR: ± -- °				CHECKED BY & DATE COMERC1 99/10/19	APPROVED BY & DATE COMERC1 99/10/19		
		DRAFT WHERE APPLICABLE MUST REMAIN WITHIN DIMENSIONS				CAD FILENAME	MATERIAL NO. SEE CHART		DRAWING NO. SD-44156-002