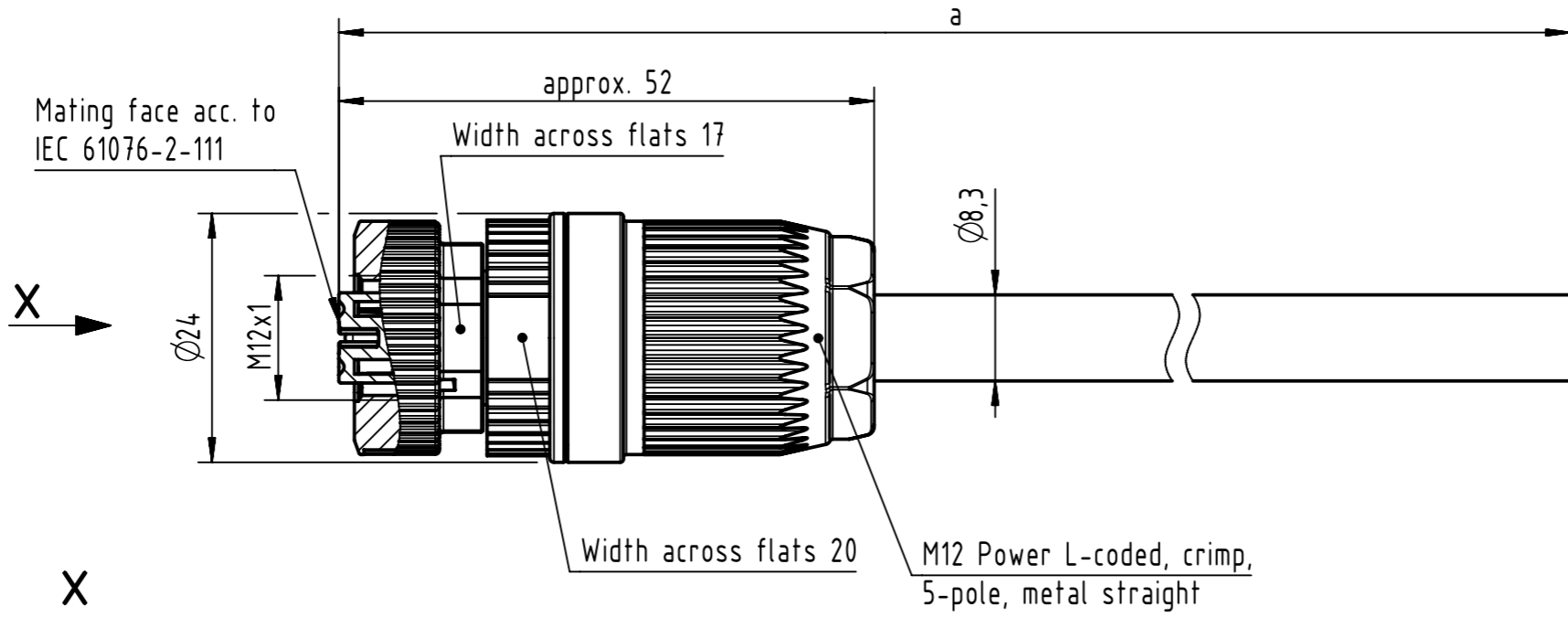
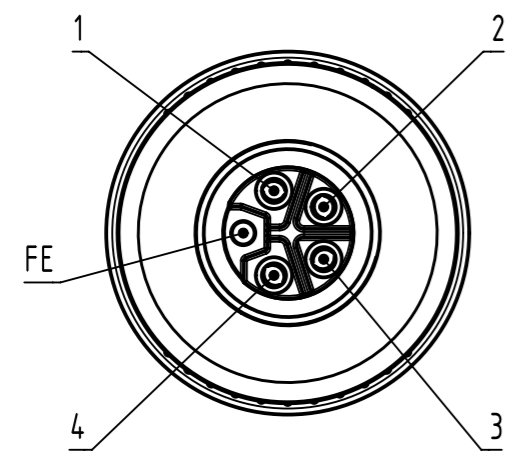


Connector Location A

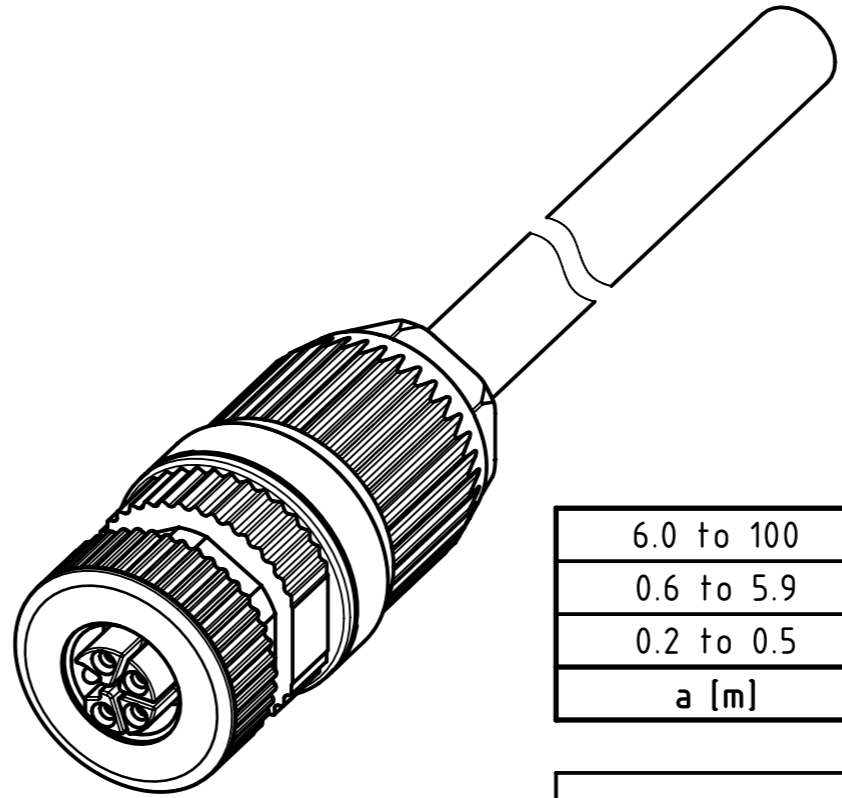
Connector Location B



X female



- Loading Plan**
- 1 — wire 1
  - 2 — wire 2
  - 3 — wire 3
  - 4 — wire 4
  - FE — wire 5



6.0 to 100	±1%
0.6 to 5.9	+0.04
0.2 to 0.5	+0.02
<b>a [m]</b>	<b>Tolerance</b>

length in "1m" step	100	XXX=000
	99	XXX=990
	.	.
	12	XXX=120
	11	XXX=110
length in "0.1m" step	10	XXX=100
	9.9	XXX=099
	9.8	XXX=098
	.	.
	0.5	XXX=005
	0.4	XXX=004
	0.3	XXX=003
0.2	XXX=002	
<b>Step</b>	<b>a [m]</b>	<b>XXX</b>

Helukabel 10096 OZ-500 5x1.5mm <sup>2</sup> grey	2133A700523XXX
<b>Type of cable</b>	<b>Part no.</b>

- Protection level: IP65/67  
- Temperature range: -40°C ... +80°C

	All rights reserved	Created by COSTEA	Inspected by 402676 Gross	Standardisation MUNTEANV Muntean	Date 2022-04-18	State Final Release
	Department HCS - RO	Title M12 L-coded Cable Assembly		Doc-Key / ECM-Nr. 100689087/UGD/001/B 500000215675		
HARTING Customised Solutions D-32339 Espelkamp		Type TB	Number 2133A700523XXX		Rev. B	Page 1/1