



## CMCP797V Velocity Sensor, Side Entry 2 Pin MS 5015



### Features:

- Side Entry Velocity Sensor
- 100mV/In/Sec  $\pm 10\%$  (4mV/mm/s)
- 140°C Max Temperature Range
- 2 Pin MS 5015 Connector
- Class 1 Division 2 Approved
- Class 1 Division 1 Approved with IS Barrier or Isolator
- 1/4"-28 UNF or M8x1.25 Captive Mounting Bolt
- Sealed to IP68

### Typical Applications

Fans, Motors, Pumps, Compressors, Centrifuges, Conveyors, Air Handlers, Gearboxes, Rolls, Dryers, Presses, Cooling, HVAC, Spindles, Machine Tooling, Process Equipment and many more.

### Technical Performance

Mounted Base Resonance: 22 kHz (nominal)  
 Sensitivity: 100mV/In/Sec (4mV/mm/s)  $\pm 10\%$  Nominal 80Hz at 22°C  
 Frequency Response: 3 Hz to 4.5 kHz  $\pm 10\%$  (180 cpm to 270k cpm)  
 2 Hz to 6 kHz  $\pm 3\text{dB}$  (120 cpm to 260k cpm)  
 Isolation: Base Isolated  
 Measurement Range: 40 In/Sec  
 Transverse Sensitivity: Less than 5%

### Electrical

Electrical Noise: 0.1mg max  
 Current Range: 0.5mA to 8mA  
 Bias Voltage: 10-12 Vdc  
 Settling Time: 1 Second  
 Output Impedance: 200 Ohms max.  
 Case Isolation:  $>10^8$  Ohms at 500 Volts

### Environmental

Operating Temperature Range: -67 to 284°F (-55 to 140°C)  
 Sealing: IP68 / Hermetically Sealed  
 Maximum Shock: 5000 g  
 Approvals: CE Approved  
 CSA/UL Class 1 Division 2, Groups B, C and D

### Mechanical

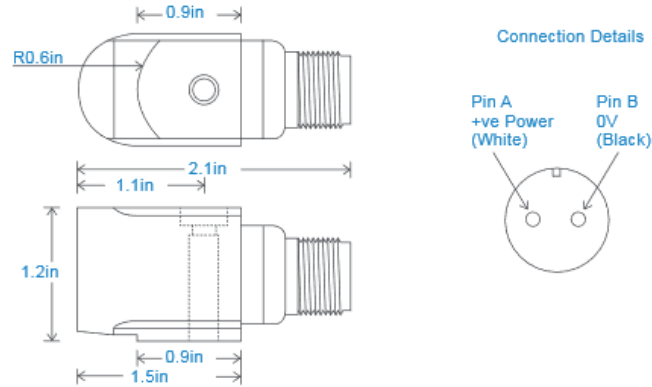
Case Material: Stainless Steel  
 Sensing Element: PZT/Compression  
 Mounting Torque: 5.9ft. lbs (8Nm)  
 Weight: 6.5 Oz (185 grams)  
 Mounting: 1/4"-28 UNF or M8x1.25 Captive Mounting Bolt  
 Mating Connector: 2 Pin MIL 5015 MS Connector

Condition Monitoring Custom Products

### Hazardous Location Ratings

Class I, II, III, Division 1 and 2, Groups A-G, T4, -55°C to + 110°C IP65  
Class 1, Zone 0, AEx, ia, IIC, T4, Ga, -55°C to + 110°C  
Zone 20, AEx, ia, IIIC, T130°C, IP65, Da, -55°C to + 110°C  
Class I, II, III, Division 1, 2, Groups A-G, T6, -55°C to + 110°C  
Zone 20, AEx, ia, IIIX, T80°C, IP65, DA, -55°C to + 110°C

### Dimensions



### Ordering Information:

CMCP797V Velocity Sensor, Side Entry 2 Pin MS Connector, 100mV/in/s, 1/4-28 UNF Mount  
CMCP797V-M8 Velocity Sensor, Side Entry 2 Pin MS Connector, 100mV/in/s, M8x1.25 Mount

### Recommended Cable Assemblies:

General Purpose TPE Jacketed Cable (Rated to 120°C)  
CMCP602L Series 2 Socket MS Connector, Locking Collar, IP67  
CMCP602LST Series 2 Socket MS Connector, Push On Seal Tight, IP68

High Temperature FEP Jacketed Cable (Rated to 200°C)  
CMCP602H Series 2 Socket MS Connector, Locking Collar, IP67  
CMCP602HST Series 2 Socket MS Connector, Push On Seal Tight, IP68

### Similar Products



**M12 Connector**  
CMCP797V-M12



**Submersible**  
CMCP797V-IP



**Integral Armored Cable**  
CMCP797V-I