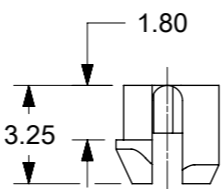
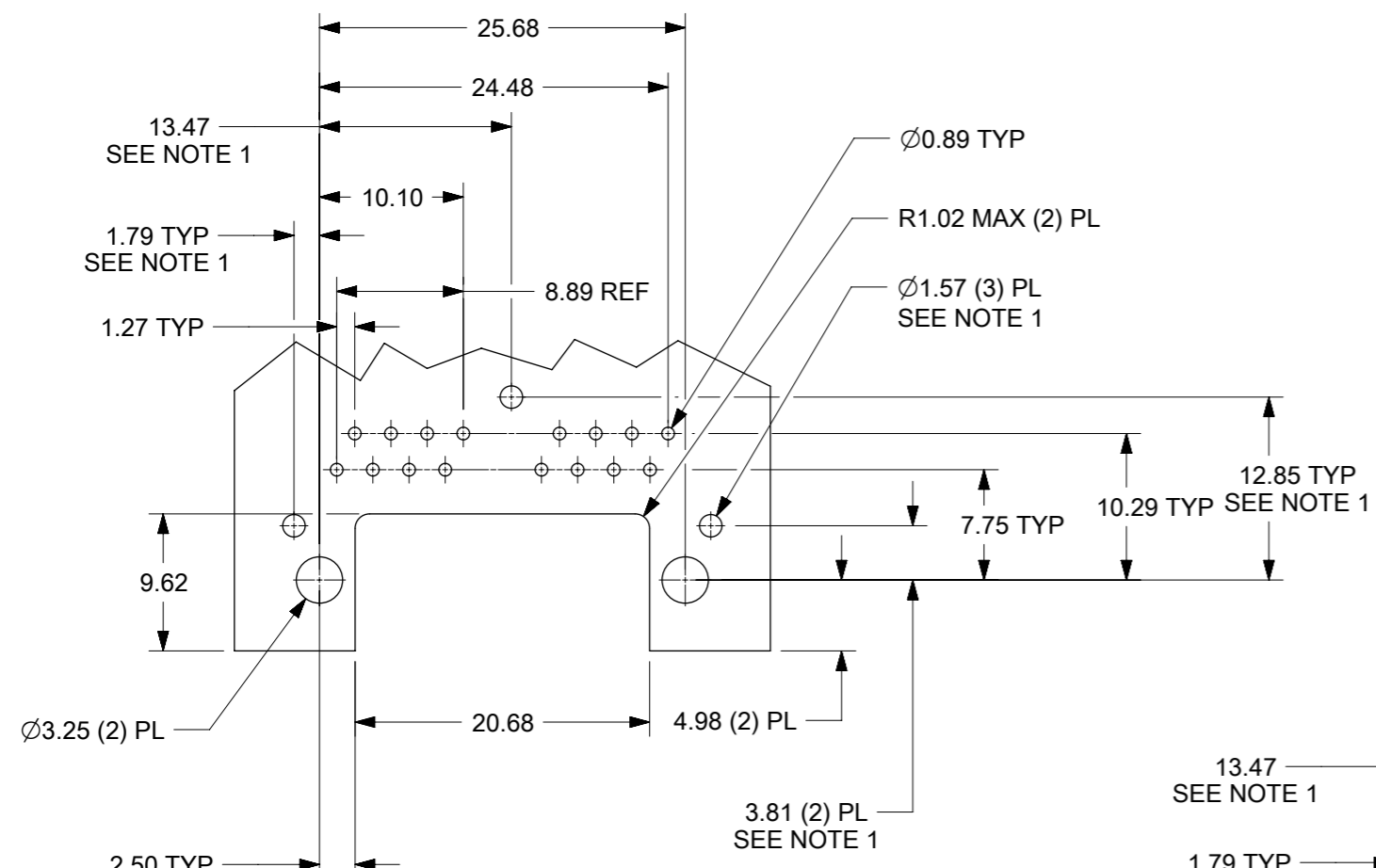


- NOTES:
- MATERIAL:  
HOUSING: NYLON(PA), GLASS FILLED, UL94V-0, COLOR: BLACK  
TERMINALS: PHOSPHOR BRONZE  
SHIELD: BRASS, 0.18 THICK
  - FINISH:  
TERMINALS:  
SELECT GOLD IN CONTACT AREA: 1.27 MICROMETERS MIN.,  
SELECT MATTE TIN IN PC TAIL AREA: 2.54 MICROMETERS MIN.,  
WITH OVERALL NICKEL UNDERPLATE: 1.27 MICROMETERS MIN.  
SHIELD:  
2.54 MICROMETERS NICKEL OVER 1.27 MICROMETERS  
COPPER UNDERPLATE; PCB GROUND TABS DIPPED IN TIN.
  - PRODUCT SPECIFICATION: PS-44560-003.
  - PACKAGING SPECIFICATION:  
2 PORT: CONNECTOR PACKAGED IN TRAYS PER MOLEX PACKAGING SPECIFICATION  
PK-44560-004  
4 PORT: CONNECTOR PACKAGED IN TRAYS PER MOLEX PACKAGING SPECIFICATION  
PK-44560-005
  - CONFORMS TO FCC REGULATION PART 68.5 FOR MODULAR JACKS.
  - ENHANCED GROUND TABS SHIELD (OPTION -B-) IS SHOWN IN THIS DRAWING. (SEE CHART)
  - SEE SHEET (2) OF (2) FOR RECOMMENDED PANEL OPENING AND PCB LAYOUT.
  - CAT 5e PERFORMANCE IS NOT SPECIFIED FOR THIS MODULAR JACK BECAUSE OF THE EVEN TERMINAL TAILS.
  - THIS PART CONFORMS TO CLASS B REQUIREMENTS OF COSMETIC SPECIFICATION PS-45499-002 WITH THE EXCEPTION OF THE SURFACE INDICATED, WHICH IS A CLASS C SURFACE.
  - THIS PRODUCT IS COMPLIANT TO RoHS DIRECTIVE 2002/95/EC AND ELV ANNEX II OF DIRECTIVE 2000/53/EC.

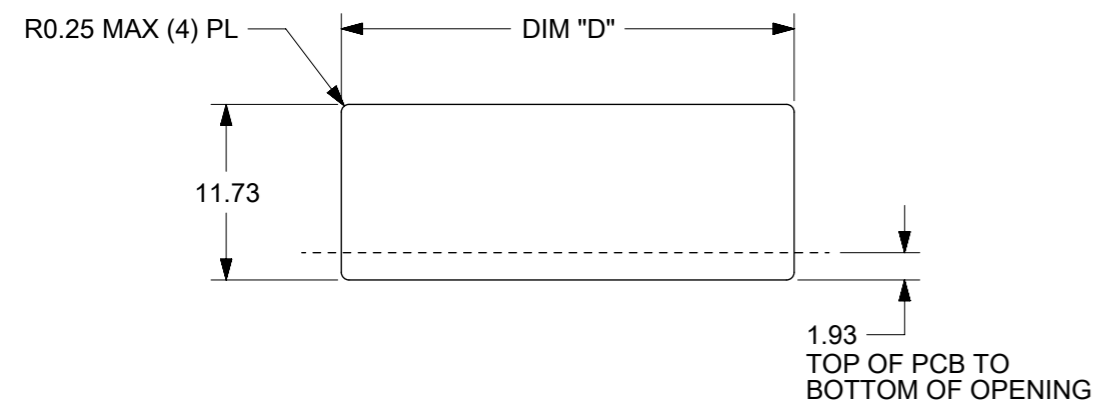


ASSEMBLY MATERIAL NUMBER	SHIELDING OPTION	NUMBER OF REAR GROUND TABS	NUMBER OF PORTS	DIM "A"	DIM "B"
445600112	B	1	2	29.44	25.68

FUNCTIONAL SYMBOLS						THIS DRAWING CONTAINS INFORMATION THAT IS PROPRIETARY TO MOLEX ELECTRONIC TECHNOLOGIES, LLC AND SHOULD NOT BE USED WITHOUT WRITTEN PERMISSION					
DIMENSION UNITS		SCALE		CURRENT REV DESC: MIGRATED TO NX							
mm		2:1		<b>molex</b> COMPACT GANGED MODJACK EVEN TAILS PRODUCT CUSTOMER DRAWING							
GENERAL TOLERANCES (UNLESS SPECIFIED)											
ANGULAR TOL ± 0.5°											
4 PLACES ±											
3 PLACES ±						EC NO: 709327		2018/02/15			
2 PLACES ± 0.3						DRWN: CCV		2022/07/12			
1 PLACE ±						CHK'D: KLANG		2022/07/12			
0 PLACES ±						APPR: KLANG		2022/07/12			
DRAFT WHERE APPLICABLE MUST REMAIN WITHIN DIMENSIONS						INITIAL REVISION:		DOCUMENT NUMBER			
THIRD ANGLE PROJECTION		DRAWING		SERIES		MATERIAL NUMBER		CUSTOMER			
A3-SIZE		44560		RSD-44560-001		PSD		001			
SEE CHART		LUCENT		1 OF 2		SHEET NUMBER		1 OF 2			

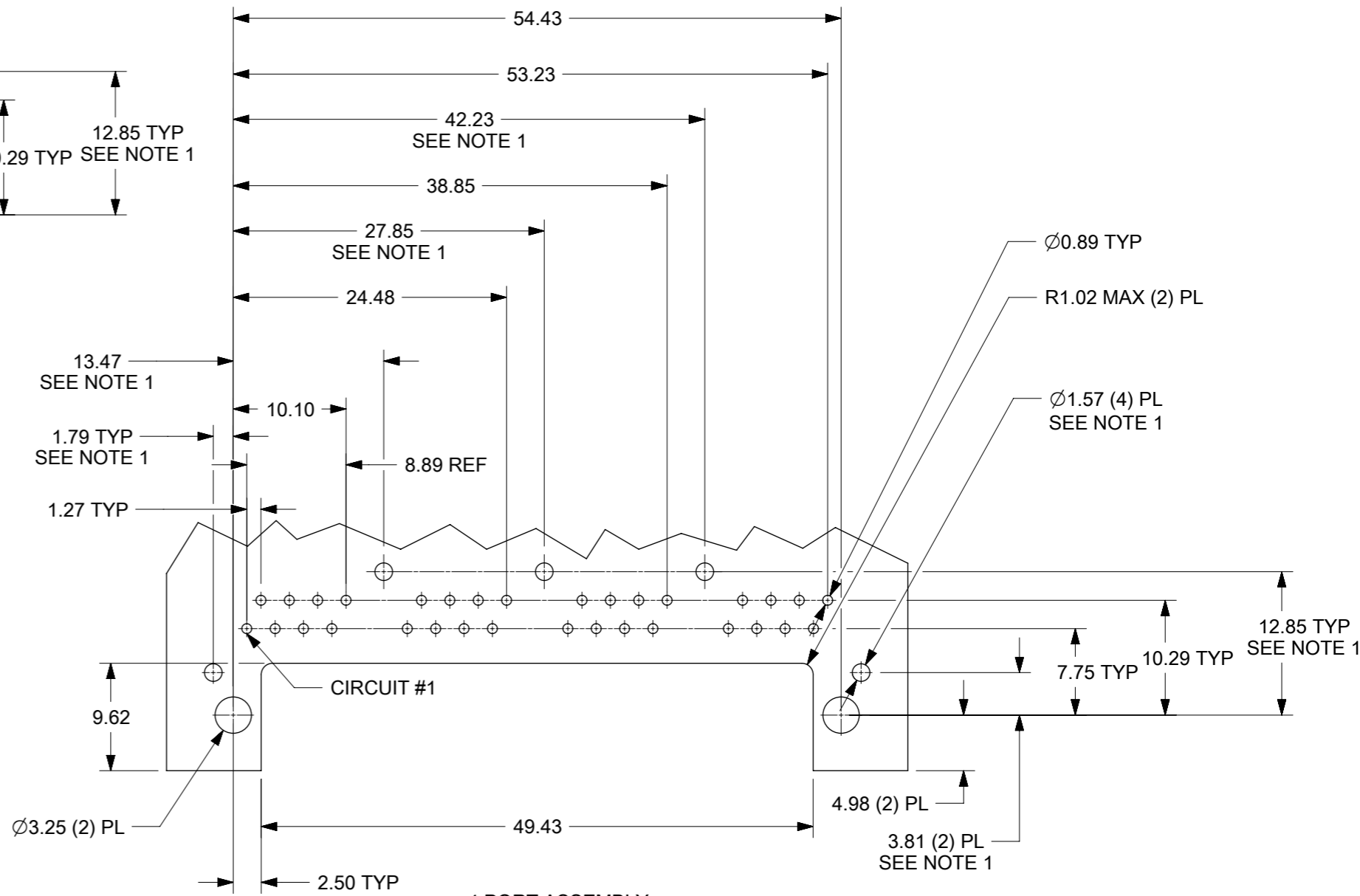


2 PORT ASSEMBLY  
PCB LAYOUT : COMPONENT SIDE  
RECOMMENDED PCB THICKNESS: 1.57  
TOLERANCE ±0.076 UNLESS OTHERWISE SPECIFIED

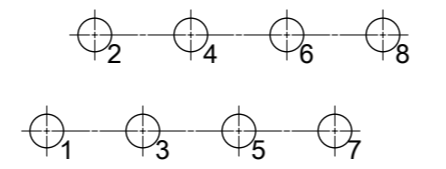


NUMBER OF PORTS	DIM "D"
2	30.20
4	58.95

RECOMMENDED  
PANEL OPENING  
SHIELDING OPTIONS  
A AND B



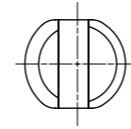
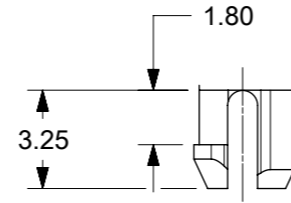
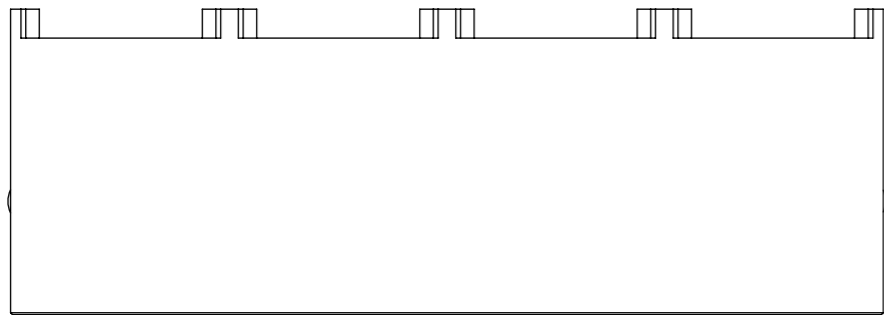
4 PORT ASSEMBLY  
PCB LAYOUT : COMPONENT SIDE  
RECOMMENDED PCB THICKNESS: 1.57  
TOLERANCE ± 0.076 UNLESS OTHERWISE SPECIFIED



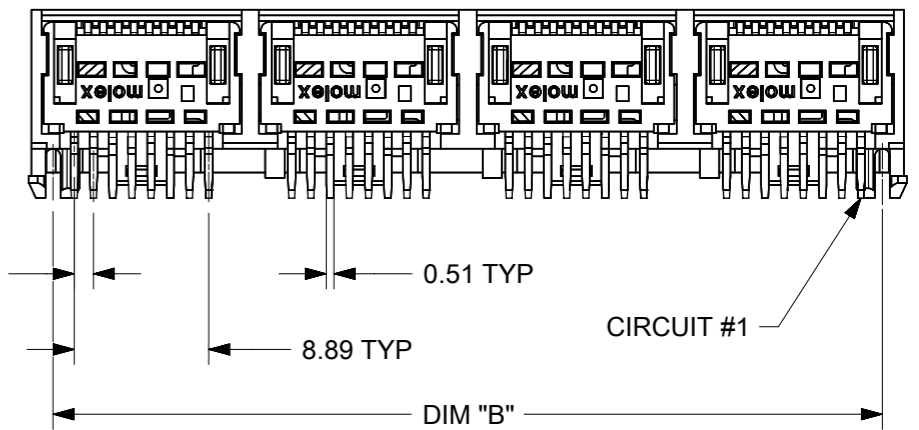
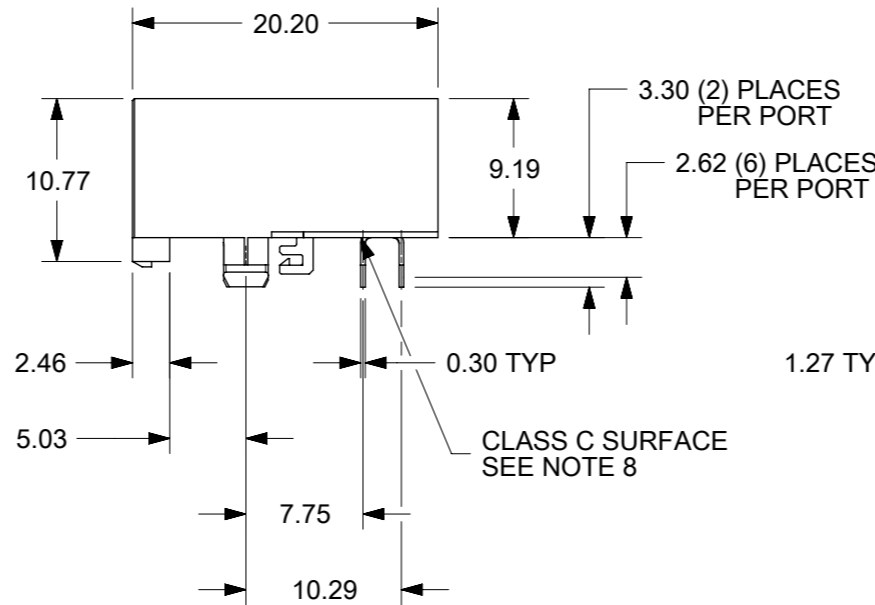
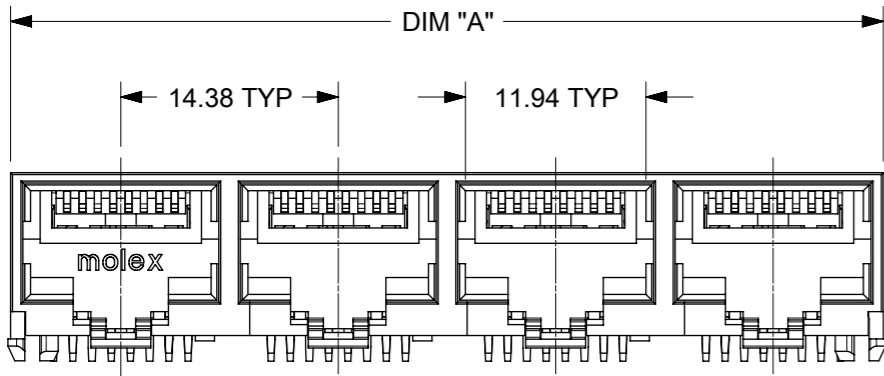
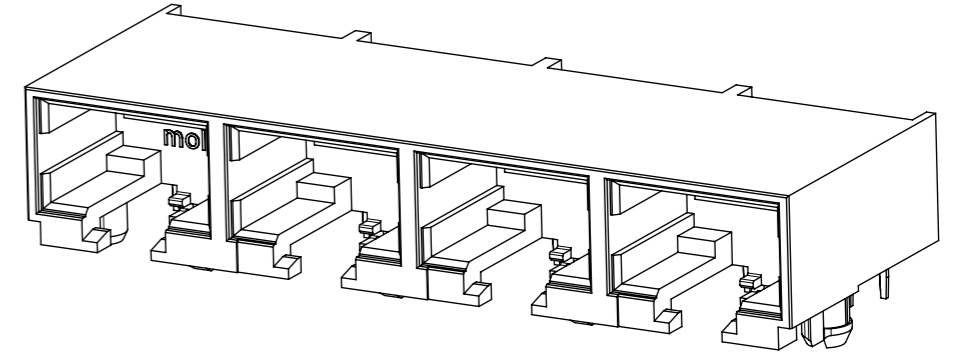
TYPICAL PC TERMINAL HOLE LAYOUT  
SCALE 5:1

NOTES:  
1. DIMENSIONS REFER TO ASSEMBLIES WITH SHIELDING OPTION

FUNCTIONAL SYMBOLS	THIS DRAWING CONTAINS INFORMATION THAT IS PROPRIETARY TO MOLEX ELECTRONIC TECHNOLOGIES, LLC AND SHOULD NOT BE USED WITHOUT WRITTEN PERMISSION		CURRENT REV DESC: MIGRATED TO NX		<b>molex</b>	
	▽A = 0	mm				
DIVISIONAL SYMBOLS	GENERAL TOLERANCES (UNLESS SPECIFIED)		EC NO: 709327		2018/02/15	
	▽E = 0	ANGULAR TOL ± 0.5°	DRWN: CCV		2022/07/12	
	▽F = 0	4 PLACES ±	CHK'D: KLANG		2022/07/12	
	▽G = 0	3 PLACES ±	APPR: KLANG		2022/07/12	
	▽H = 0	2 PLACES ± 0.3	INITIAL REVISION:		DOCUMENT NUMBER	
1 PLACE ±		DRWN: NNGUYEN		RSD-44560-001		
0 PLACES ±		APPR: FSMITH		DOC TYPE DOC PART REVISION		
DRAFT WHERE APPLICABLE MUST REMAIN WITHIN DIMENSIONS		THIRD ANGLE PROJECTION	DRAWING	SERIES	MATERIAL NUMBER	CUSTOMER
			A3-SIZE	44560	SEE CHART	LUCENT
						SHEET NUMBER
						2 OF 2



PEG DETAIL  
SCALE 4:1

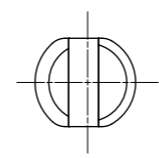
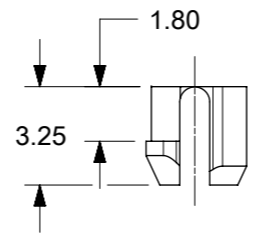
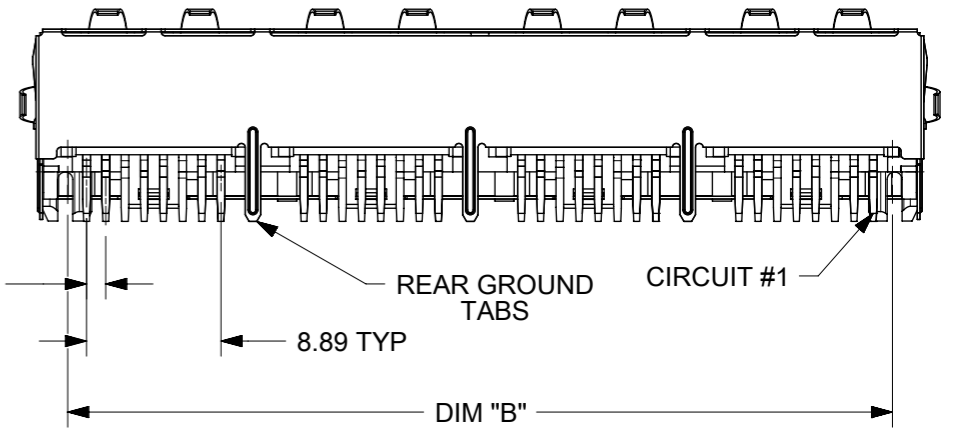
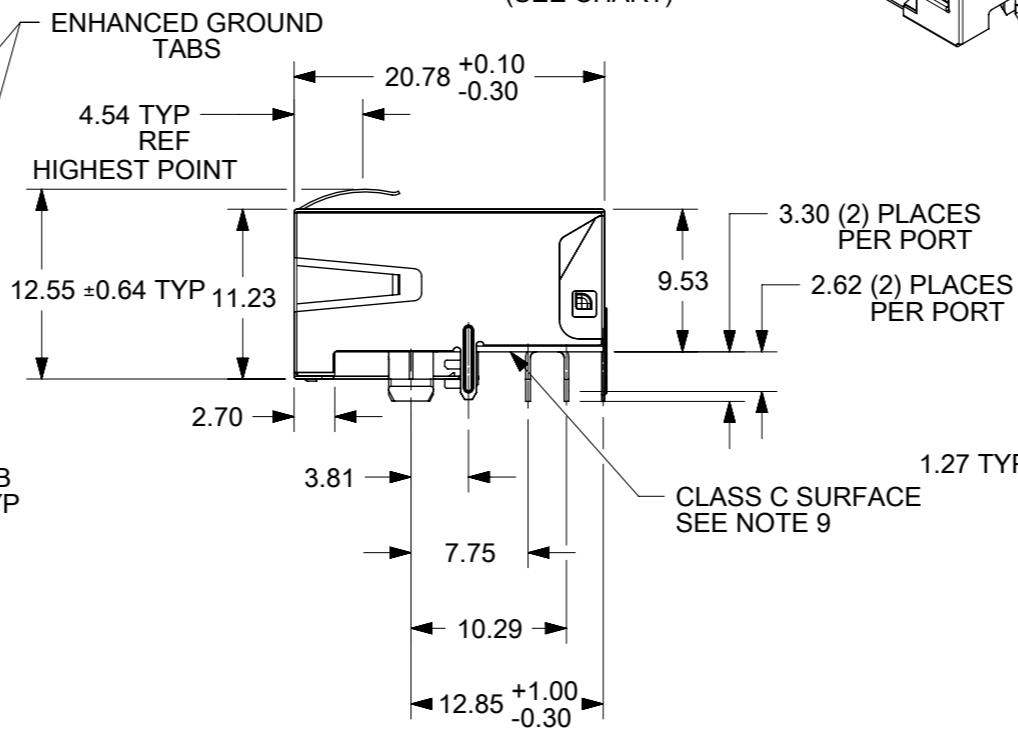
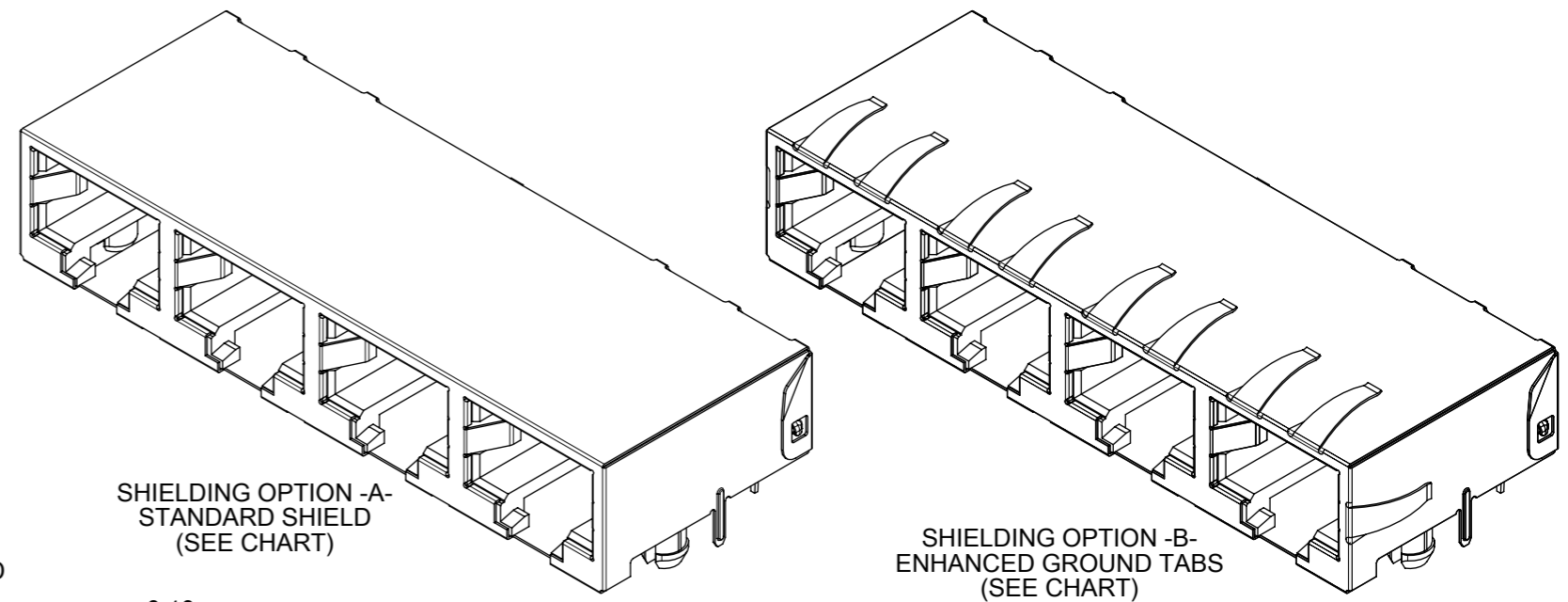
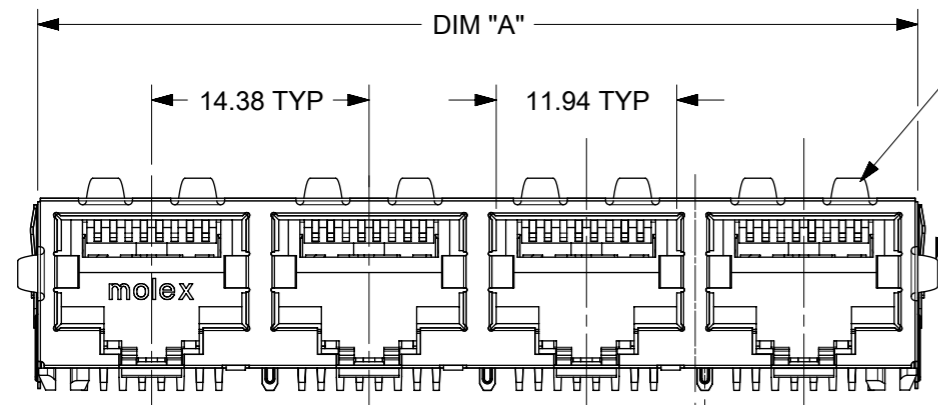
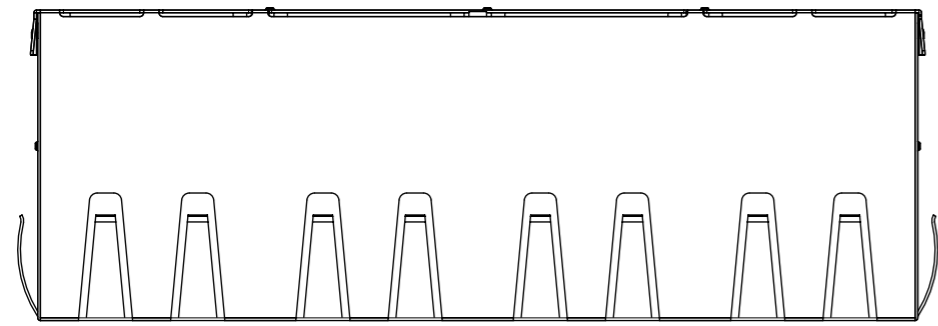


NOTES:

- MATERIAL:  
HOUSING: NYLON(PA), GLASS FILLED, UL94V-0, COLOR: BLACK  
TERMINALS: PHOSPHOR BRONZE
- FINISH:  
TERMINALS:  
SELECT GOLD IN CONTACT AREA: 1.27 MICROMETERS MIN.,  
SELECT MATTE TIN IN PC TAIL AREA: 2.54 MICROMETERS MIN.,  
WITH OVERALL NICKEL UNDERPLATE: 1.27 MICROMETERS MIN.
- PRODUCT SPECIFICATION AND PROCESSING PARAMETERS: PS-44560-003.
- PACKAGING SPECIFICATION:  
2 PORT: CONNECTOR PACKAGED IN TRAYS PER MOLEX PACKAGING SPECIFICATION PK-44560-004  
4 PORT: CONNECTOR PACKAGED IN TRAYS PER MOLEX PACKAGING SPECIFICATION PK-44560-005
- CONFORMS TO FCC REGULATION PART 68.5 FOR MODULAR JACKS.
- SEE SHEET (4) OF (4) FOR RECOMMENDED PANEL OPENING AND PCB LAYOUT.
- TERMINAL LENGTHS MAY BE DIFFERENT FROM TERMINAL TO TERMINAL.
- THIS PART CONFORMS TO CLASS B REQUIREMENTS OF COSMETIC SPECIFICATION PS-45499-002 WITH THE EXCEPTION OF THE SURFACE INDICATED, WHICH IS A CLASS C SURFACE.
- THIS PRODUCT IS COMPLIANT TO RoHS DIRECTIVE 2002/95/EC AND ELV ANNEX II OF DIRECTIVE 2000/53/EC.

ASSEMBLY MATERIAL NUMBER	NUMBER OF PORTS	DIM "A"	DIM "B"
445600001	2	28.96	25.68
445600003	4	57.71	54.43

FUNCTIONAL SYMBOLS ▽A = 0 ▽E = 0 ▽V = 0	THIS DRAWING CONTAINS INFORMATION THAT IS PROPRIETARY TO MOLEX ELECTRONIC TECHNOLOGIES, LLC AND SHOULD NOT BE USED WITHOUT WRITTEN PERMISSION	CURRENT REV DESC: MIGRATED TO NX		<b>molex</b>			
	DIMENSION UNITS: mm	SCALE: 2:1	GENERAL TOLERANCES (UNLESS SPECIFIED)				
DIVISIONAL SYMBOLS	ANGULAR TOL ± 0.5°	4 PLACES ±	EC NO: 709327	2018/02/10			
	3 PLACES ±	2 PLACES ± 0.3	DRWN: CCV	2022/07/12			
	2 PLACES ±	1 PLACE ±	CHK'D: KLANG	2022/07/12			
	1 PLACE ±	0 PLACES ±	APPR: KLANG	INITIAL REVISION:			
	0 PLACES ±		DRWN: MKAMAR	0001/03/28	DOCUMENT NUMBER	DOC TYPE	DOC PART
DRAFT WHERE APPLICABLE MUST REMAIN WITHIN DIMENSIONS		THIRD ANGLE PROJECTION	DRAWING: A3-SIZE	SERIES: 44560	MATERIAL NUMBER: SEE CHART	CUSTOMER: GENERAL MARKET	SHEET NUMBER: 1 OF 4



- NOTES:**
- MATERIAL:**  
HOUSING: NYLON(PA), GLASS FILLED, UL94V-0, COLOR: BLACK  
TERMINALS: PHOSPHOR BRONZE  
SHIELD: BRASS, 0.18 THICK
  - FINISH:**  
TERMINALS:  
SELECT GOLD IN CONTACT AREA: 1.27 MICROMETERS MIN.,  
SELECT MATTE TIN IN PC TAIL AREA: 2.54 MICROMETERS MIN.,  
WITH OVERALL NICKEL UNDERPLATE: 1.27 MICROMETERS MIN.
  - SHIELD:**  
2.54 MICROMETERS NICKEL OVER 1.27 MICROMETERS  
COPPER UNDERPLATE; PCB GROUND TABS DIPPED IN TIN.
  - PRODUCT SPECIFICATION AND PROCESSING PARAMETERS: PS-44560-003.**
  - PACKAGING SPECIFICATION:**  
2 PORT: CONNECTOR PACKAGED IN TRAYS PER MOLEX PACKAGING SPECIFICATION  
PK-44560-004  
4 PORT: CONNECTOR PACKAGED IN TRAYS PER MOLEX PACKAGING SPECIFICATION  
PK-44560-005
  - CONFORMS TO FCC REGULATION PART 68.5 FOR MODULAR JACKS.
  - ENHANCED GROUND TABS SHIELD (OPTION -B-) IS SHOWN IN THIS DRAWING. (SEE CHART)
  - SEE SHEET (4) OF (4) FOR RECOMMENDED PANEL OPENING AND PCB LAYOUT.
  - TERMINAL LENGTHS MAY BE DIFFERENT FROM TERMINAL TO TERMINAL.
  - THIS PART CONFORMS TO CLASS B REQUIREMENTS OF COSMETIC SPECIFICATION PS-45499-002 WITH THE EXCEPTION OF THE SURFACE INDICATED, WHICH IS A CLASS C SURFACE.
  - THIS PRODUCT IS COMPLIANT TO RoHS DIRECTIVE 2002/95/EC AND ELV ANNEX II OF DIRECTIVE 2000/53/EC.

ASSEMBLY MATERIAL NUMBER	SHIELDING OPTION	NUMBER OF REAR GROUND TABS	NUMBER OF PORTS	DIM "A"	DIM "B"
445600002	A	1	2	29.44	25.68
445600004	A	3	4	58.19	54.43
445600012	B	1	2	29.44	25.68
445600014	B	3	4	58.19	54.43

THIS DRAWING CONTAINS INFORMATION THAT IS PROPRIETARY TO MOLEX ELECTRONIC TECHNOLOGIES, LLC AND SHOULD NOT BE USED WITHOUT WRITTEN PERMISSION

FUNCTIONAL SYMBOLS:  $\nabla/A = 0$ ,  $\nabla/E = 0$ ,  $\nabla/E = 0$

DIVISIONAL SYMBOLS: 4 PLACES ±, 3 PLACES ±, 2 PLACES ± 0.3, 1 PLACE ±, 0 PLACES ±

THIS DRAWING CONTAINS INFORMATION THAT IS PROPRIETARY TO MOLEX ELECTRONIC TECHNOLOGIES, LLC AND SHOULD NOT BE USED WITHOUT WRITTEN PERMISSION

SCALE: 2:1

GENERAL TOLERANCES (UNLESS SPECIFIED): ANGULAR TOL ± 0.5°

CURRENT REV DESC: MIGRATED TO NX

EC NO: 709327  
DRWN: CCV  
CHK'D: KLANG  
APPR: KLANG

INITIAL REVISION:  
DRWN: MKAMAR  
APPR: MKAMAR

2018/02/10  
2022/07/12  
2022/07/12

0001/03/28  
0001/03/28

DOCUMENT NUMBER: SD-44560-001  
DOC TYPE: PSD  
DOC PART: 001  
REVISION: G6

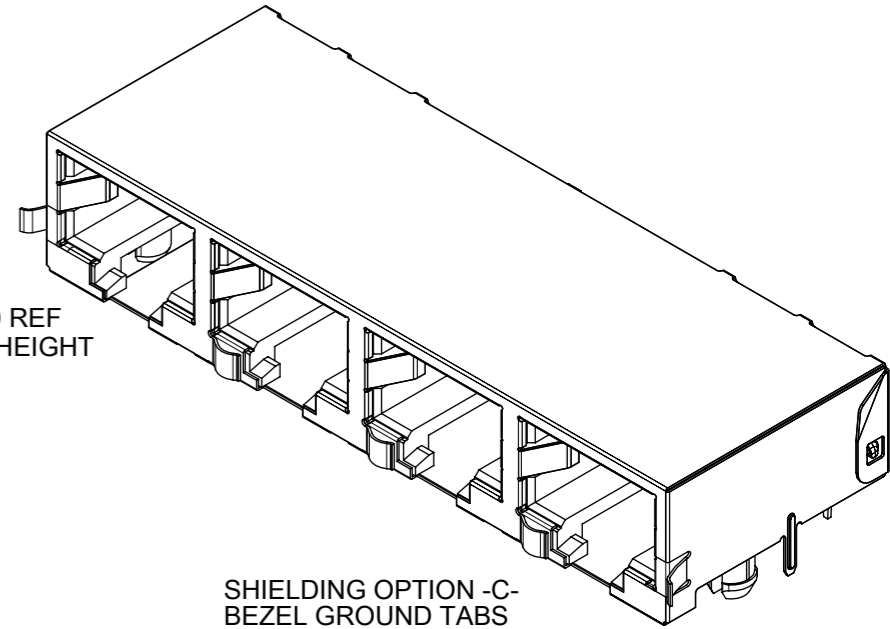
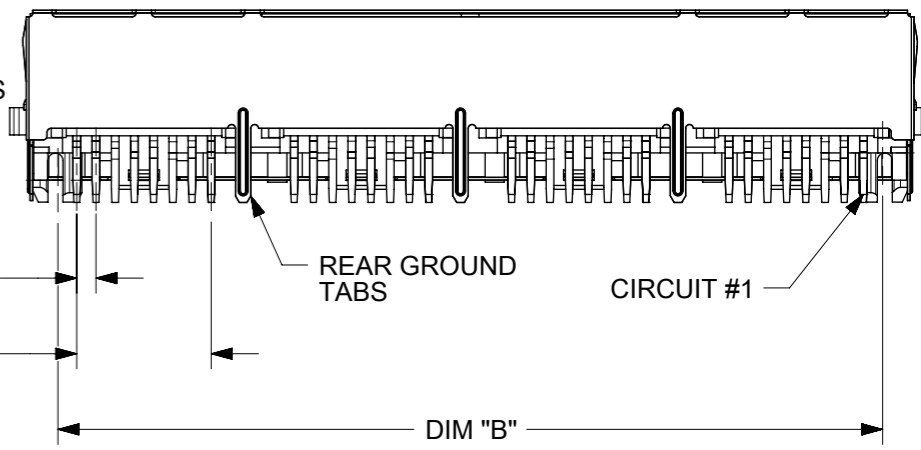
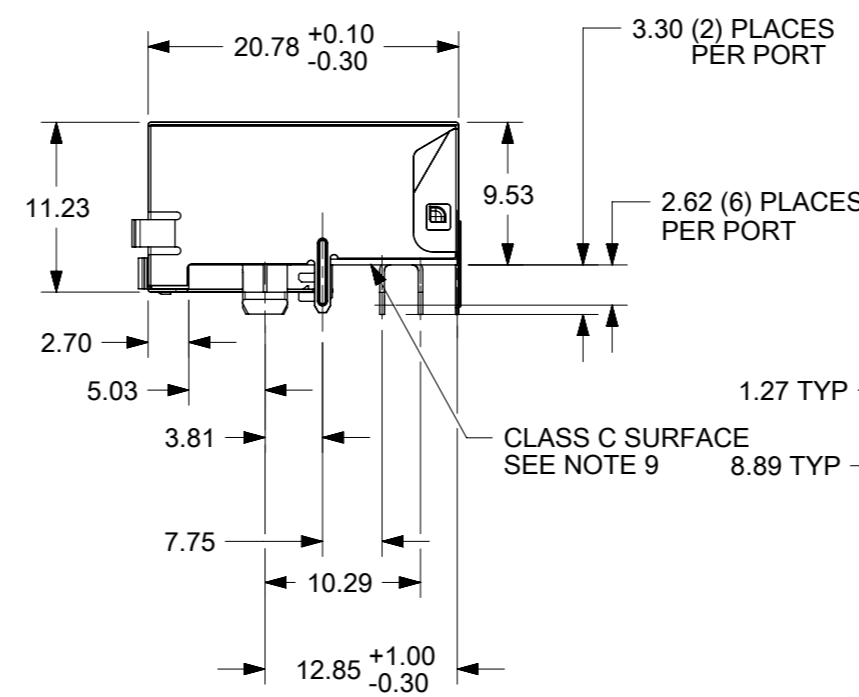
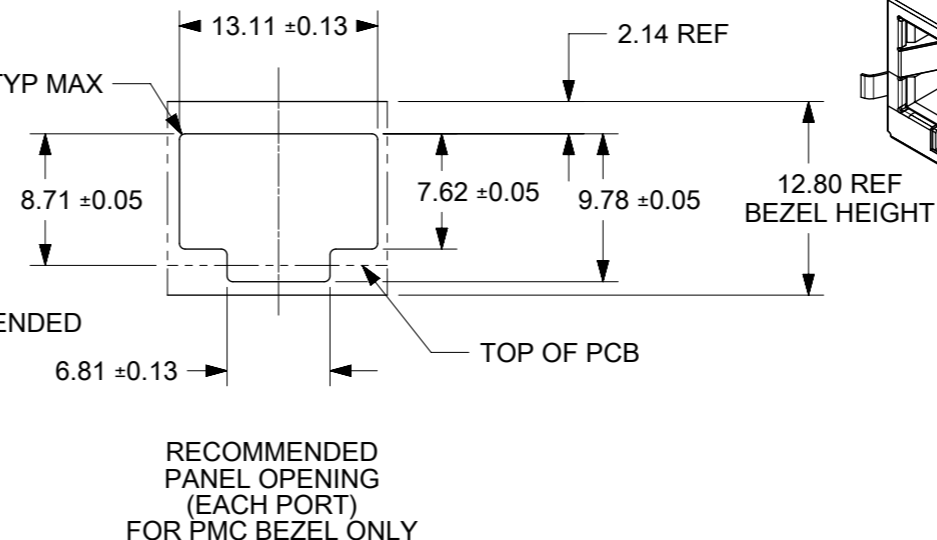
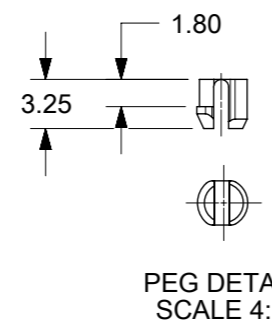
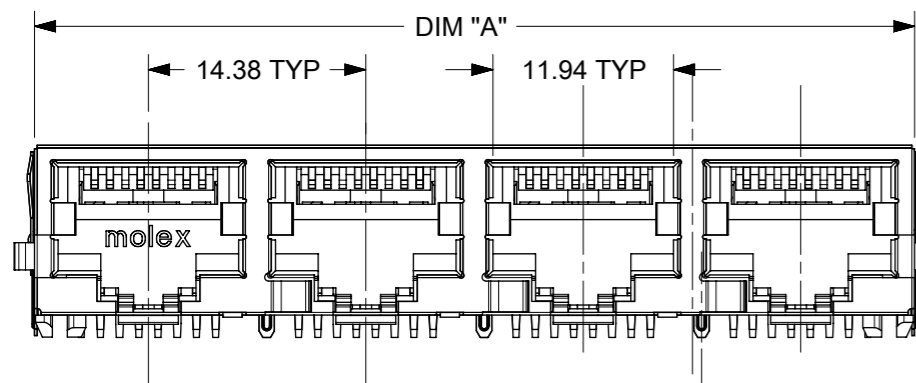
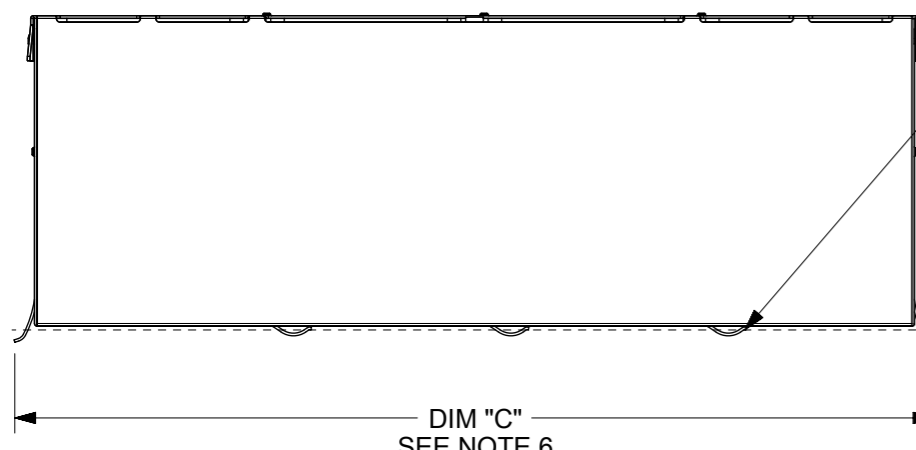
THIRD ANGLE PROJECTION

DRAWING: A3-SIZE  
SERIES: 44560  
MATERIAL NUMBER: SEE CHART  
CUSTOMER: GENERAL MARKET  
SHEET NUMBER: 2 OF 4

**molex**

COMPACT GANGED CATEGORY 5E MODJACK

PRODUCT CUSTOMER DRAWING



- NOTES:
- MATERIAL:  
HOUSING: NYLON(PA), GLASS FILLED, UL94V-0, COLOR: BLACK  
TERMINALS: PHOSPHOR BRONZE  
SHIELD: BRASS, 0.18 THICK
  - FINISH:  
TERMINALS:  
SELECT GOLD IN CONTACT AREA: 1.27 MICROMETERS MIN.,  
SELECT MATTE TIN IN PC TAIL AREA: 2.54 MICROMETERS MIN.,  
WITH OVERALL NICKEL UNDERPLATE: 1.27 MICROMETERS MIN.  
SHIELD:  
2.54 MICROMETERS NICKEL OVER 1.27 MICROMETERS  
COPPER UNDERPLATE; PCB GROUND TABS DIPPED IN TIN.
  - PRODUCT SPECIFICATION AND PROCESSING PARAMETERS: PS-44560-003.
  - PACKAGING SPECIFICATION:  
2 PORT: CONNECTOR PACKAGED IN TRAYS PER MOLEX PACKAGING SPECIFICATION  
PK-44560-004  
4 PORT: CONNECTOR PACKAGED IN TRAYS PER MOLEX PACKAGING SPECIFICATION  
PK-44560-005
  - CONFORMS TO FCC REGULATION PART 68.5 FOR MODULAR JACKS.
  - THIS DIMENSION HAS A MAXIMUM OF 34.82 FOR THE (2) PORT PART AND 63.57 FOR THE (4) PORT PART WHEN THE JACK IS INSTALLED BEHIND THE BEZEL.
  - SEE SHEET (4) OF (4) FOR RECOMMENDED PCB LAYOUT.
  - TERMINAL LENGTHS MAY BE DIFFERENT FROM TERMINAL TO TERMINAL.
  - THIS PART CONFORMS TO CLASS B REQUIREMENTS OF COSMETIC SPECIFICATION PS-45499-002 WITH THE EXCEPTION OF THE SURFACE INDICATED, WHICH IS A CLASS C SURFACE.
  - THIS PRODUCT IS COMPLIANT TO RoHS DIRECTIVE 2002/95/EC AND ELV ANNEX II OF DIRECTIVE 2000/53/EC.

"X"=NOT TOOLED	ASSEMBLY MATERIAL NUMBER	SHIELDING OPTION	NUMBER OF REAR GROUND TABS	NUMBER OF PORTS	DIM "A"	DIM "B"	DIM "C"
X	445600022	C	1	2	29.44	25.68	32.13
	445600024	C	3	4	58.19	54.43	60.88

THIS DRAWING CONTAINS INFORMATION THAT IS PROPRIETARY TO MOLEX ELECTRONIC TECHNOLOGIES, LLC AND SHOULD NOT BE USED WITHOUT WRITTEN PERMISSION

FUNCTIONAL SYMBOLS:  $\nabla/A = 0$ ,  $\nabla/E = 0$ ,  $\nabla/F = 0$

DIVISIONAL SYMBOLS: 4 PLACES ±, 3 PLACES ±, 2 PLACES ± 0.3, 1 PLACE ±, 0 PLACES ±

THIS DRAWING CONTAINS INFORMATION THAT IS PROPRIETARY TO MOLEX ELECTRONIC TECHNOLOGIES, LLC AND SHOULD NOT BE USED WITHOUT WRITTEN PERMISSION

SCALE: 2:1

GENERAL TOLERANCES (UNLESS SPECIFIED): ANGULAR TOL ± 0.5°

EC NO: 709327  
DRWN: CCV  
CHK'D: KLANG  
APPR: KLANG

INITIAL REVISION:  
DRWN: MKAMAR  
APPR: MKAMAR

2018/02/10  
2022/07/12  
2022/07/12

0001/03/28  
0001/03/28

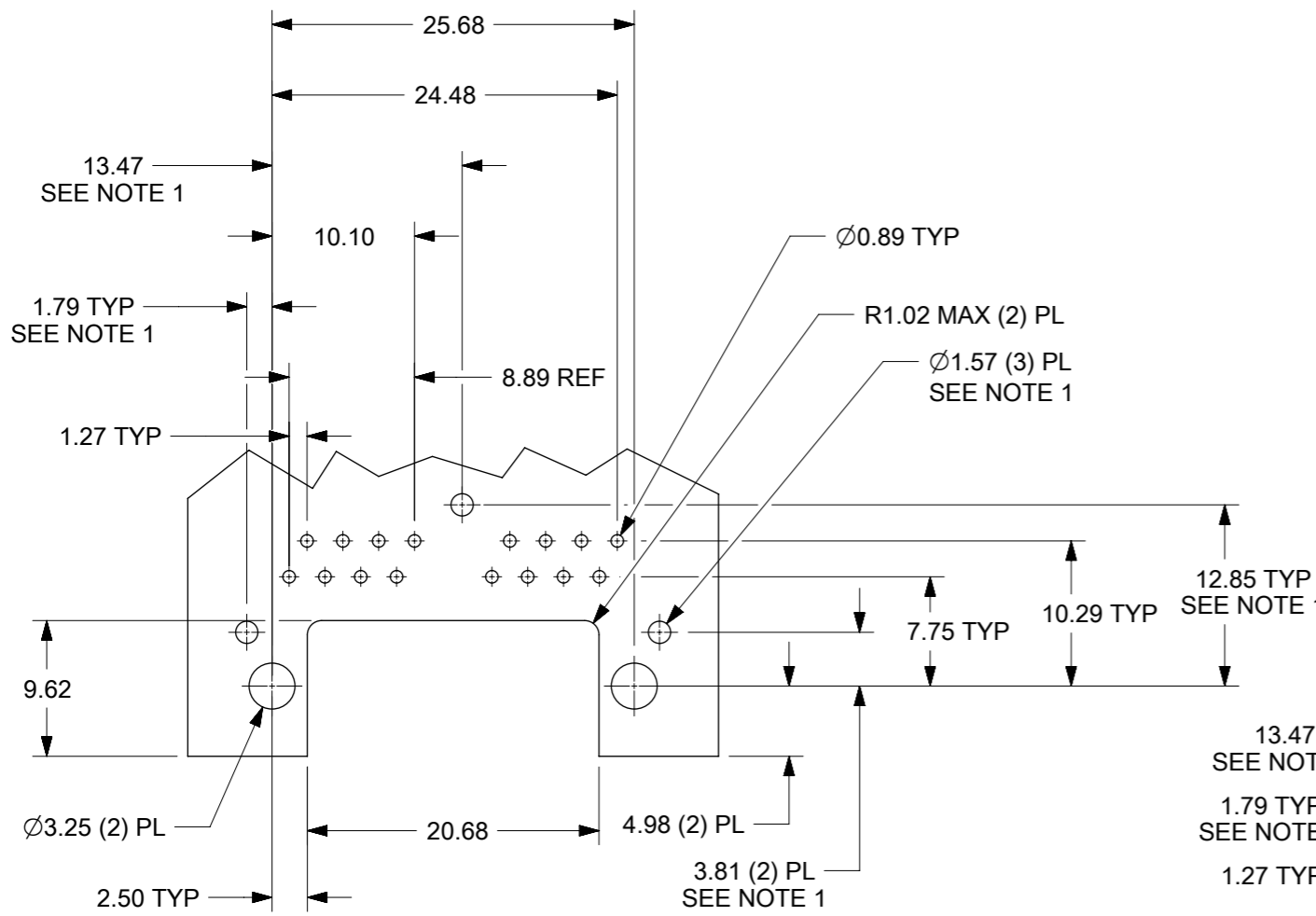
DOCUMENT NUMBER: SD-44560-001  
DOC TYPE: PSD  
DOC PART: 001  
REVISION: G6

PRODUCT CUSTOMER DRAWING

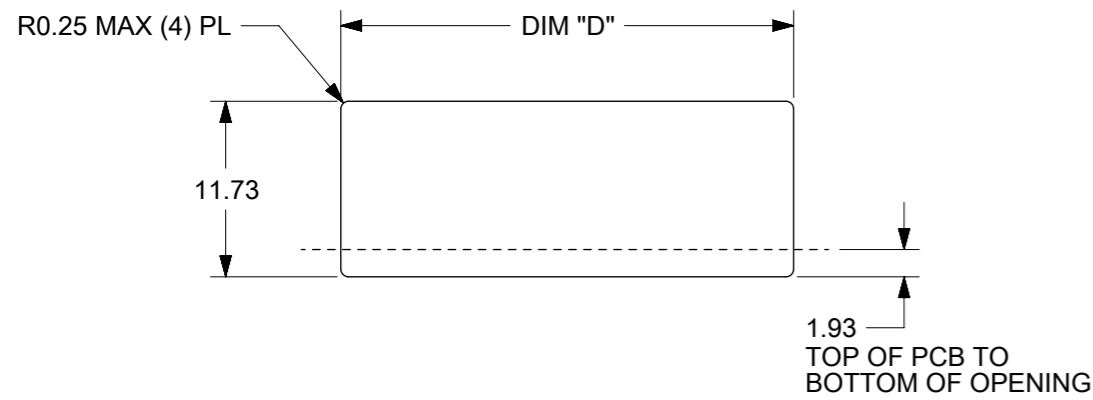
DRAFT WHERE APPLICABLE MUST REMAIN WITHIN DIMENSIONS

THIRD ANGLE PROJECTION

DRAWING: A3-SIZE  
SERIES: 44560  
MATERIAL NUMBER: SEE CHART  
CUSTOMER: GENERAL MARKET  
SHEET NUMBER: 3 OF 4

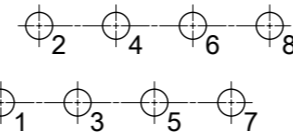


2 PORT ASSEMBLY  
PCB LAYOUT : COMPONENT SIDE  
RECOMMENDED PCB THICKNESS: 1.57  
TOLERANCE ±.076 UNLESS OTHERWISE SPECIFIED

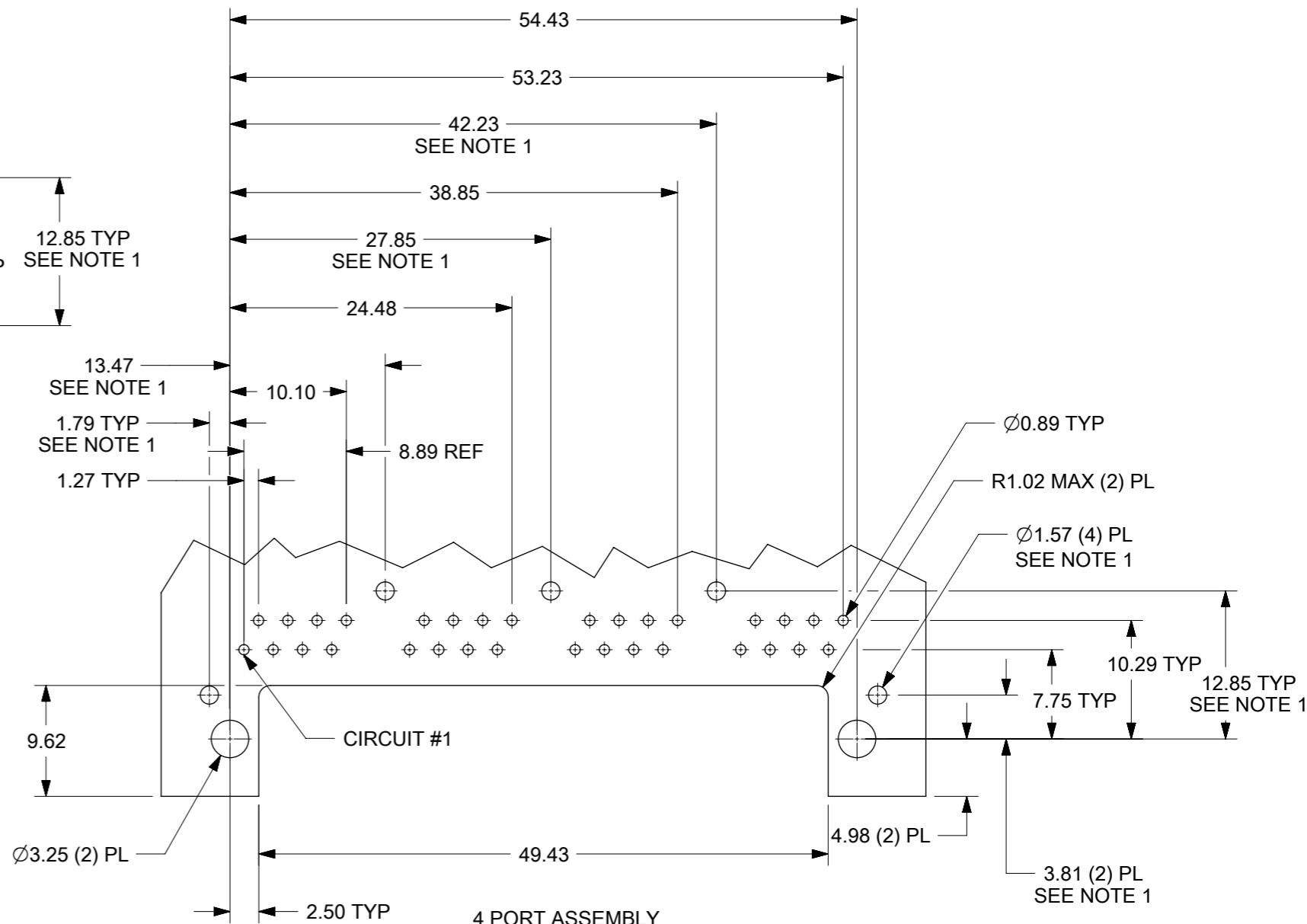


NUMBER OF PORTS	DIM "D"
2	30.20/1.189
4	58.95/2.321

RECOMMENDED  
PANEL OPENING  
SHIELDING OPTIONS  
A AND B



TYPICAL PC TERMINAL HOLE LAYOUT  
SCALE 5:1



4 PORT ASSEMBLY  
PCB LAYOUT : COMPONENT SIDE  
RECOMMENDED PCB THICKNESS: 1.57  
TOLERANCE ±.076 UNLESS OTHERWISE SPECIFIED

NOTES:

1. DIMENSIONS REFER TO ASSEMBLIES WITH SHIELDING OPTION

FUNCTIONAL SYMBOLS	THIS DRAWING CONTAINS INFORMATION THAT IS PROPRIETARY TO MOLEX ELECTRONIC TECHNOLOGIES, LLC AND SHOULD NOT BE USED WITHOUT WRITTEN PERMISSION		CURRENT REV DESC: MIGRATED TO NX				<b>molex</b>			
	△/A = 0	mm								SCALE 2:1
DIVISIONAL SYMBOLS	GENERAL TOLERANCES (UNLESS SPECIFIED)		EC NO: 709327			2018/02/10				
	ANGULAR TOL ± 0.5°		DRWN: CCV			2022/07/12				
	4 PLACES ±		CHK'D: KLANG			2022/07/12				
	3 PLACES ±		APPR: KLANG			2022/07/12				
	2 PLACES ± 0.3		INITIAL REVISION:			DOCUMENT NUMBER				
1 PLACE ±		DRWN: MKAMAR			0001/03/28					
0 PLACES ±		APPR: MKAMAR			0001/03/28					
DRAFT WHERE APPLICABLE MUST REMAIN WITHIN DIMENSIONS		THIRD ANGLE PROJECTION		DRAWING	SERIES	MATERIAL NUMBER	CUSTOMER	DOC TYPE	DOC PART	REVISION
		A3-SIZE		44560	SEE CHART	GENERAL MARKET	SD-44560-001	PSD	001	G6