

Banana Jack - Insulated Turret Terminal

SPECIFICATIONS

Contact: Machined brass per QQ-B-626D

Finish: Silver

Body: Nylon 6/6 per ASTM D4066

Hardware: Nickel plated nut (unassembled)

Body Thread Stripping Torque: 6.0 lb. in.
(7kg. cm.)

Panel Thickness: Up to .343 (8.80)

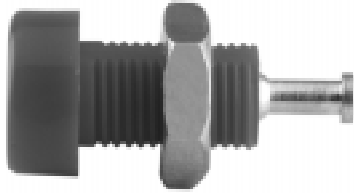
RATINGS

Current: 15 amps

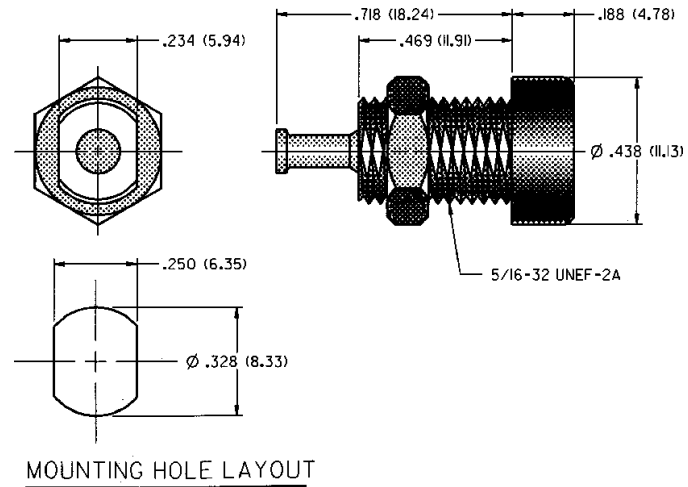
Breakdown Voltage: 7000 Vrms minimum

Contact Resistance: 0.010 ohms maximum

Contact-To-Panel: 2.4 pF nominal



SILVER PLATING	
108-2302-621	Red



For Standard Banana Plug: .175 (4.44) Across Flats

FEATURES:

- Keyed mounting with double flats
- Nylon UL approved for self extinguishing