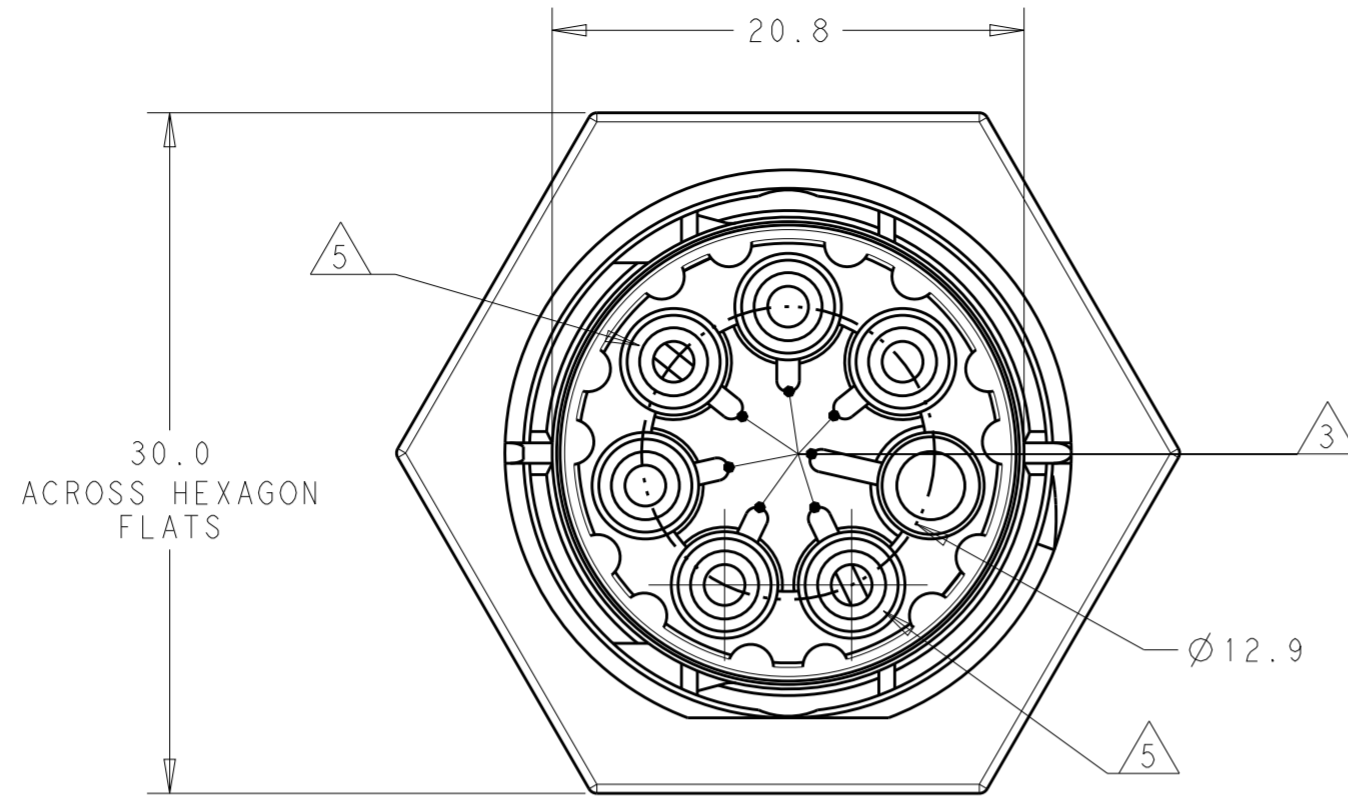


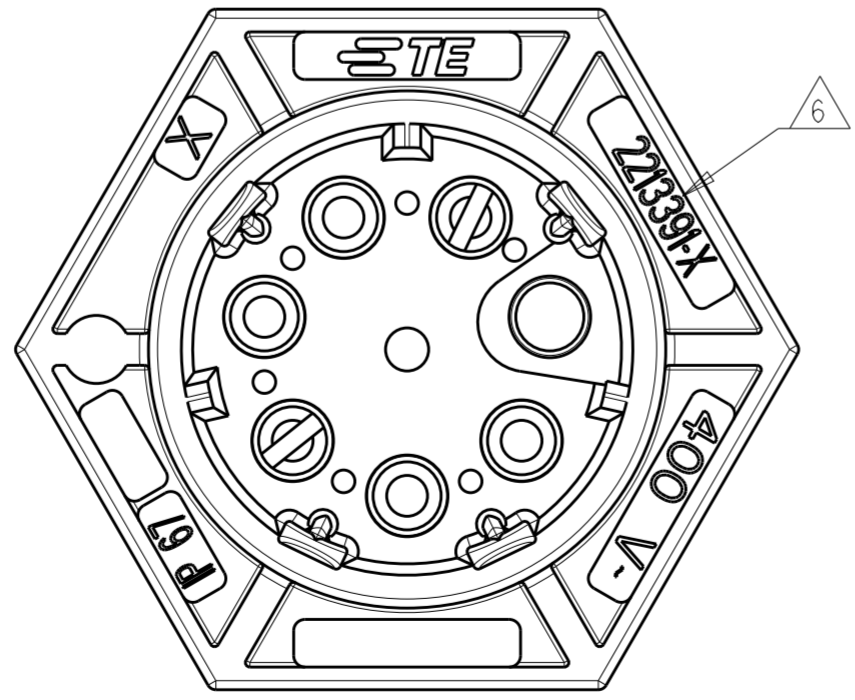
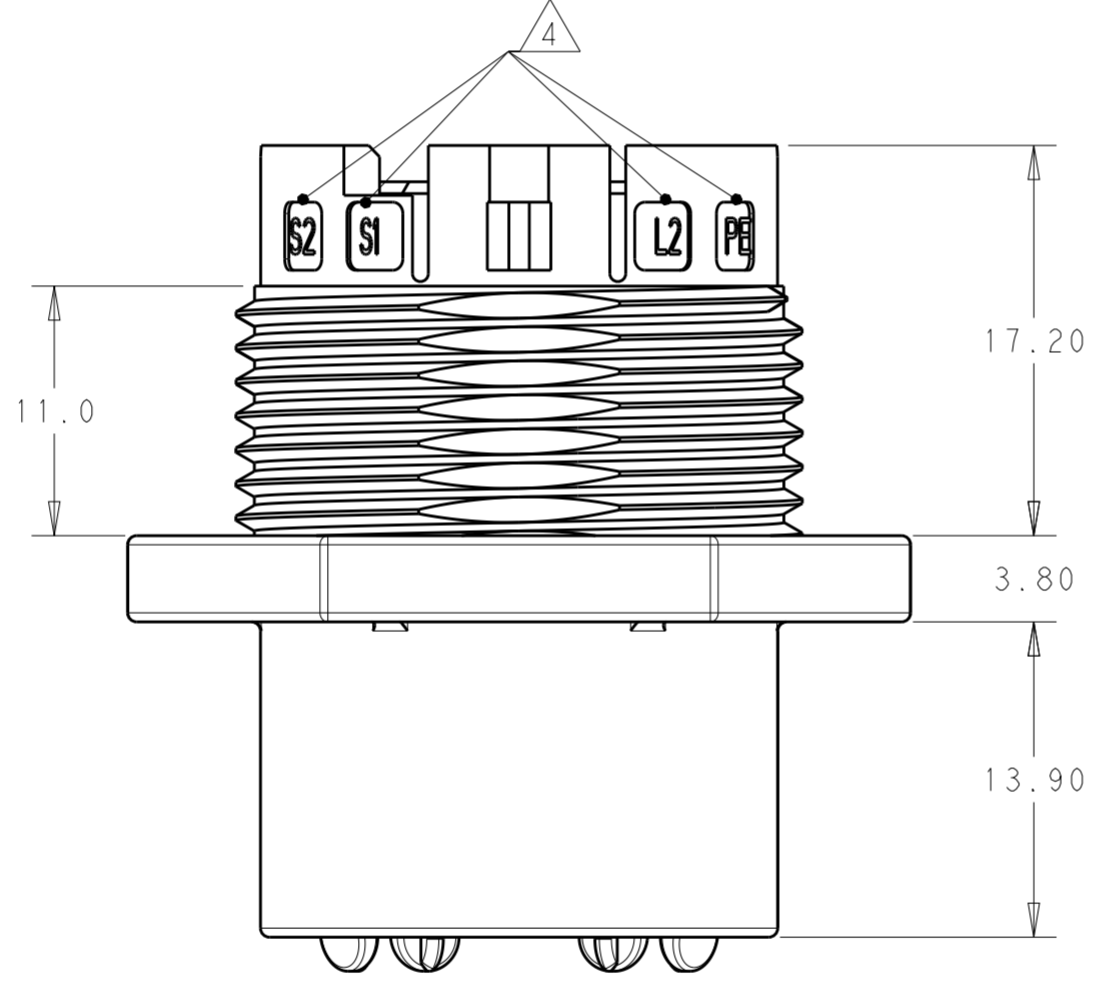
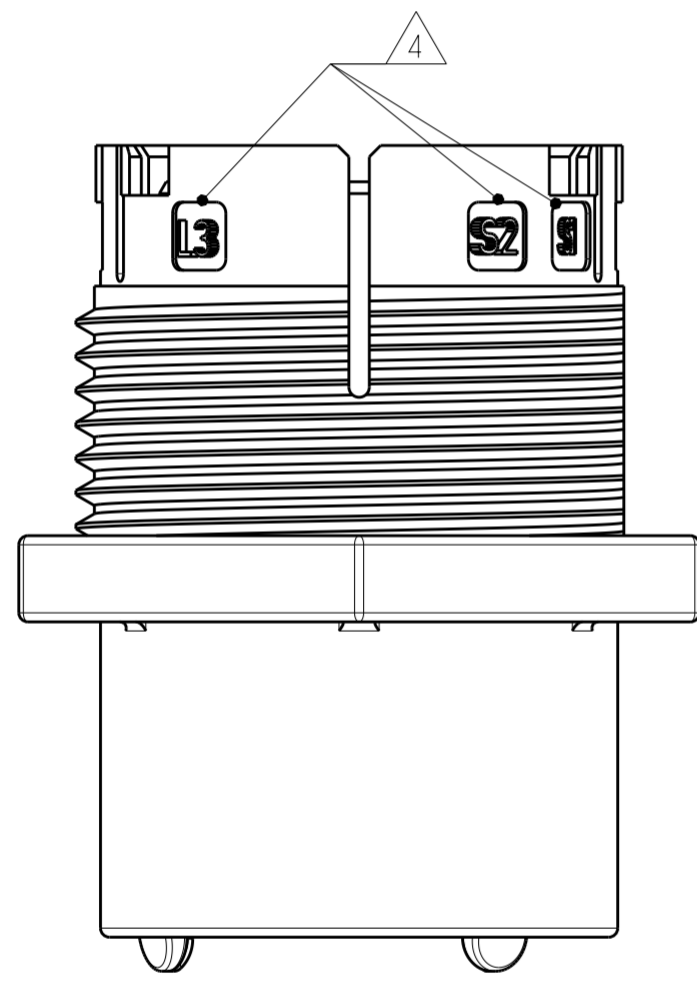
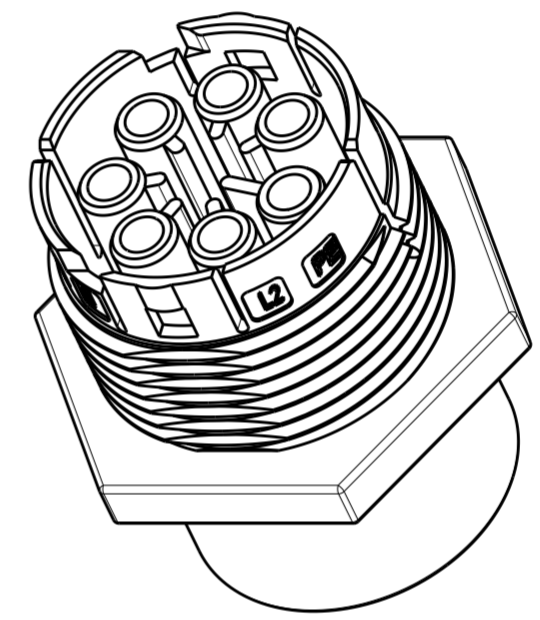
THIS DRAWING IS UNPUBLISHED. RELEASED FOR PUBLICATION 20
 © COPYRIGHT 20 BY - ALL RIGHTS RESERVED.

REVISIONS					
P	LTR	DESCRIPTION	DATE	DWN	APVD
A		REVISED AS PER ECR-15-005925	21APR2015	RS	JL
B		REVISED AS PER ECR-16-000859	08MAR2016	RS	JL
B1		ECR-18-006945	02JUL2018	SR	MZ



NOTES:

- MATERIAL: GLASS FILLED PBT, COLOR: BLACK
- MUST COMPLY WITH DIRECTIVE 2002/95/EC (ROHS)
- ALL POLARIZATION KEYS SHOWN FOR REF ONLY.
- CIRCUIT I.D.
- CIRCUIT "L2" AND "L3" ARE BLOCKED TO PREVENT CONTACTS INSTALLATION.
- TE PART NUMBER.
- THIS PRODUCT HAS NOT COMPLETED VALIDATION TESTING

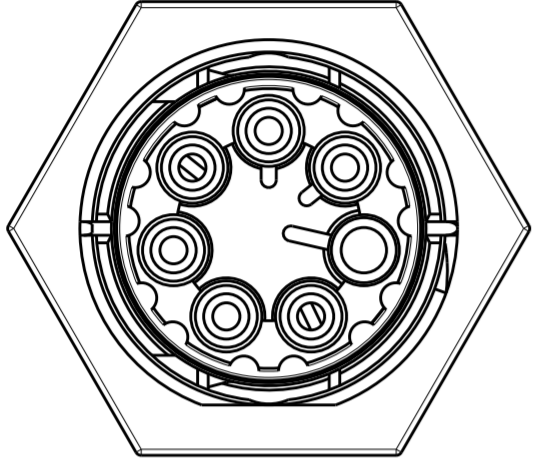
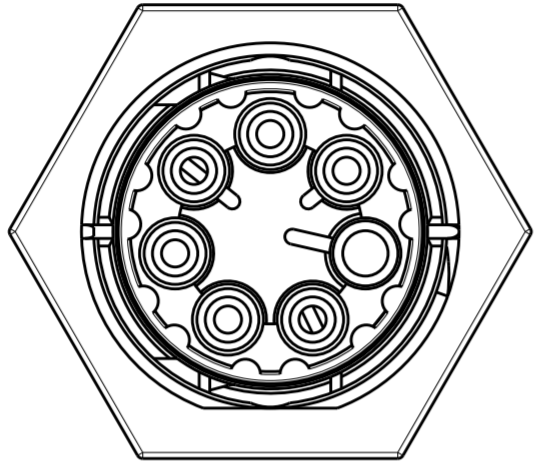
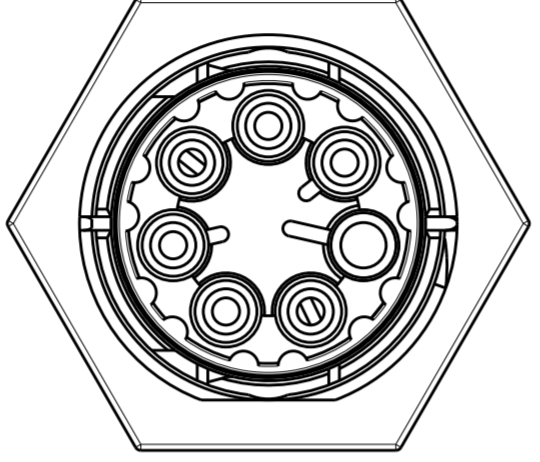
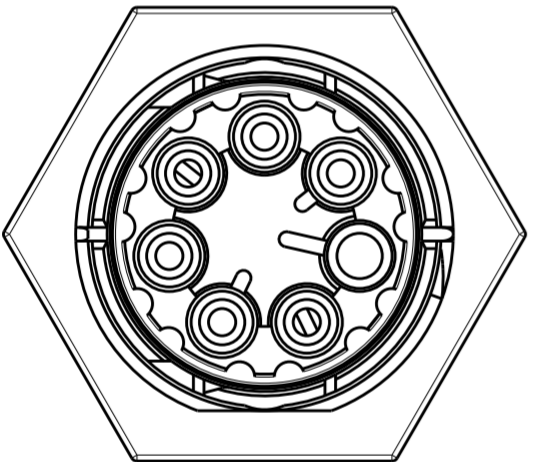
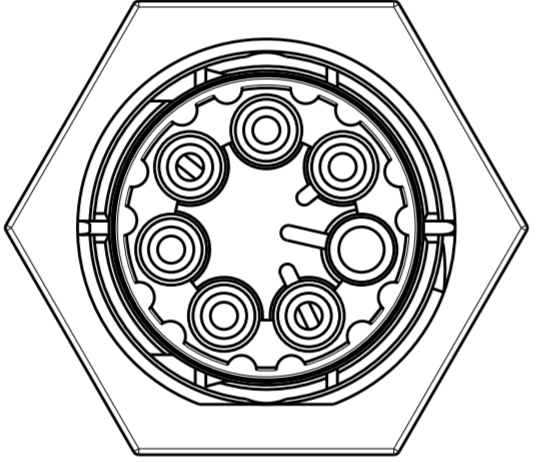


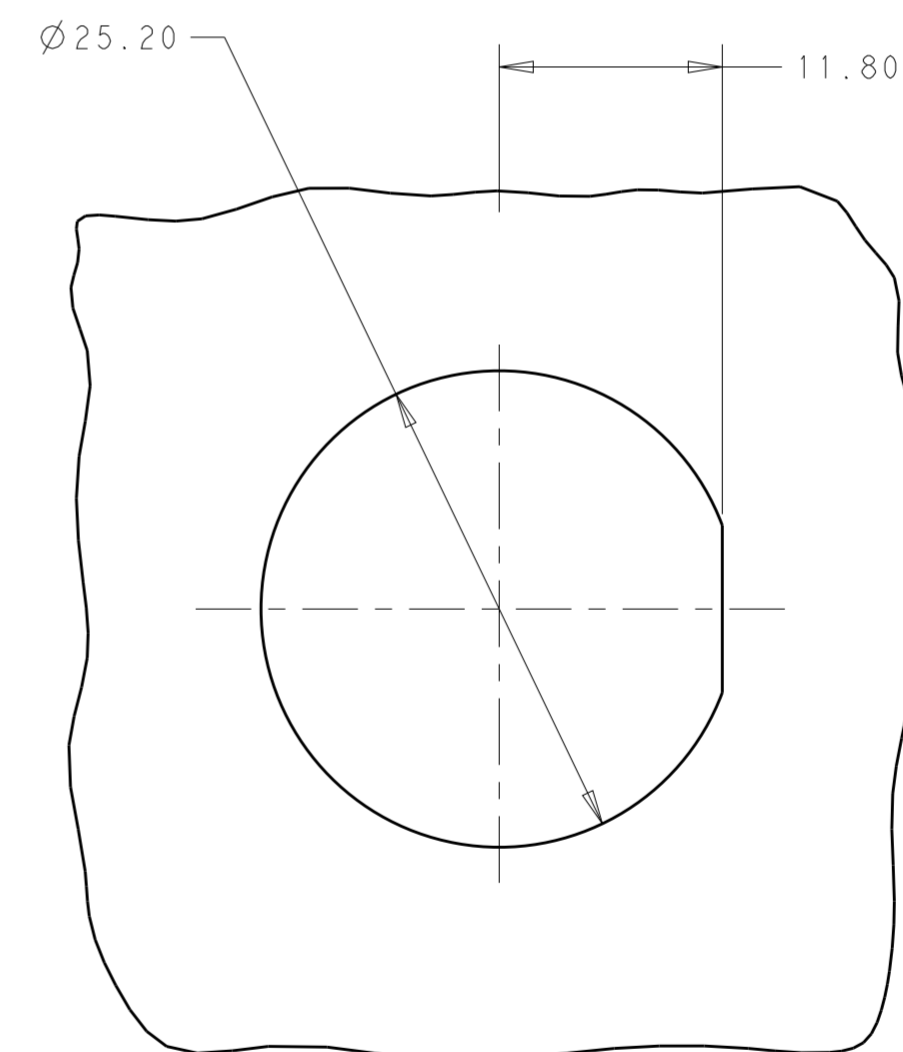
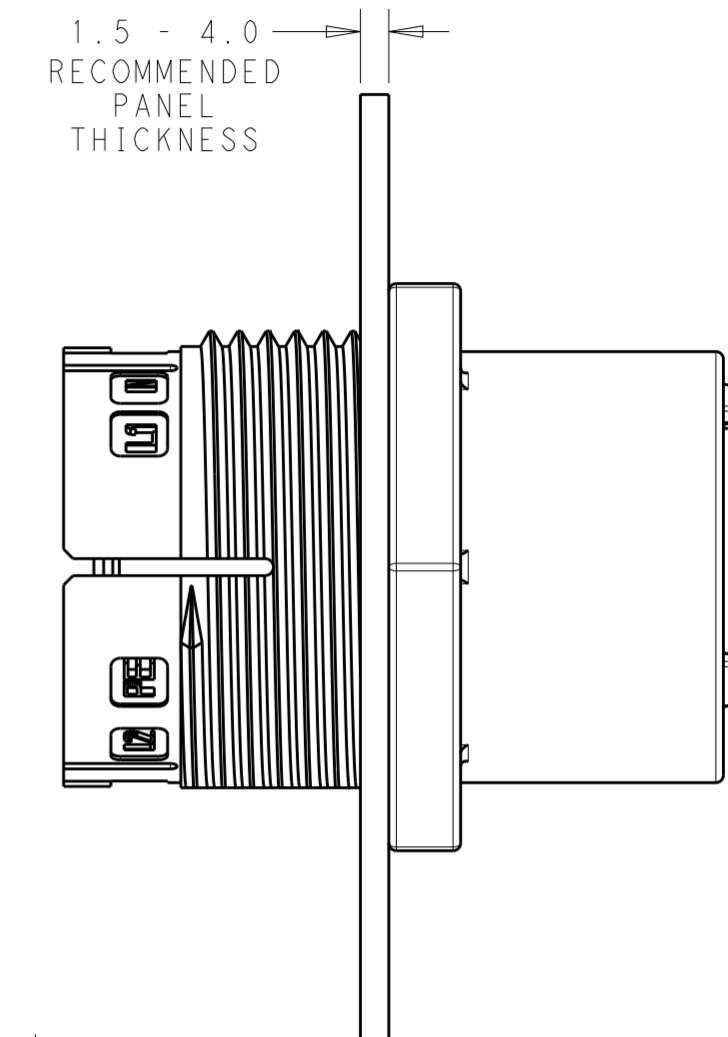
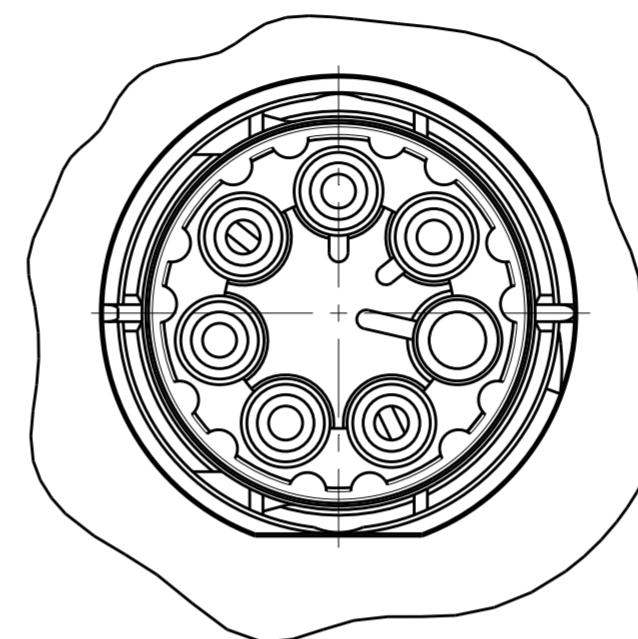
OBSOLETE	E	PANEL MT SKT. SEALED NECTOR M, 5 POLE	2213225-5
	D	PANEL MT SKT. SEALED NECTOR M, 5 POLE	2213225-4
	C	PANEL MT SKT. SEALED NECTOR M, 5 POLE	2213225-3
	B	PANEL MT SKT. SEALED NECTOR M, 5 POLE	2213225-2
	A	PANEL MT SKT. SEALED NECTOR M, 5 POLE	2213225-1
		POLARIZATION TYPE	DESCRIPTION

THIS DRAWING IS A CONTROLLED DOCUMENT.		DWN J. SHAEFFER 12NOV2013	TE Connectivity		
DIMENSIONS: mm		CHK M. LUKSIC 12NOV2013			NAME PANEL MOUNT, SOCKET; SEALED NECTOR M; 5 POLE
TOLERANCES UNLESS OTHERWISE SPECIFIED: 0 PLC ± 1 PLC ±0.2 2 PLC ±0.13 3 PLC ± 4 PLC ± ANGLES ± FINISH -		APVD M. LUKSIC 12NOV2013			
MATERIAL NOTE 1		PRODUCT SPEC 108-133014	SIZE A2		
		APPLICATION SPEC 114-32111	CAGE CODE -	DRAWING NO. C-2213225	RESTRICTED TO -
		WEIGHT -	SCALE 2:1	SHEET 1 OF 2	REV B1
		CUSTOMER DRAWING			

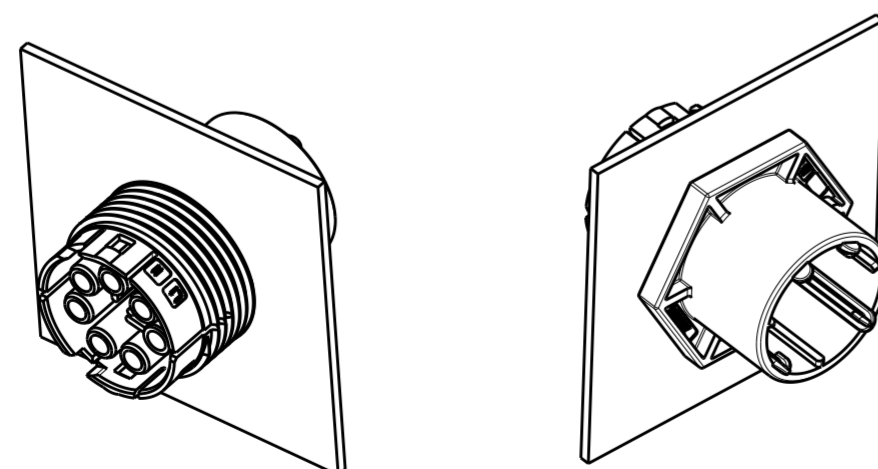
REVISIONS				
P	LTR	DESCRIPTION	DATE	APVD
-		SEE SHEET 1	-	-

POLARIZATION TYPES


POLARIZATION TYPE "A"	POLARIZATION TYPE "B"	POLARIZATION TYPE "C"
		
PN: 2213225-1	PN: 2213225-2	PN: 2213225-3
POLARIZATION TYPE "D"	POLARIZATION TYPE "E"	
		
PN: 2213225-4	PN: 2213225-5	



RECOMMENDED
PANEL CUTOUT
SCALE 5:2



3D VIEWS
FOR REFERENCE ONLY

THIS DRAWING IS A CONTROLLED DOCUMENT.		DWN J. SHAFFER 12NOV2013	 TE Connectivity	
		CHK M. LUKSIC 12NOV2013		
		APVD M. LUKSIC 12NOV2013	NAME PANEL MOUNT, SOCKET; SEALED NECTOR M; 5 POLE	
DIMENSIONS: mm		PRODUCT SPEC 108-133014	SIZE A2	CAGE CODE -
TOLERANCES UNLESS OTHERWISE SPECIFIED:		APPLICATION SPEC 114-32111	DRAWING NO G-2213225	RESTRICTED TO -
MATERIAL NOTE 1		WEIGHT -	SCALE 2:1	SHEET 2 OF 2
		CUSTOMER DRAWING	REV B1	