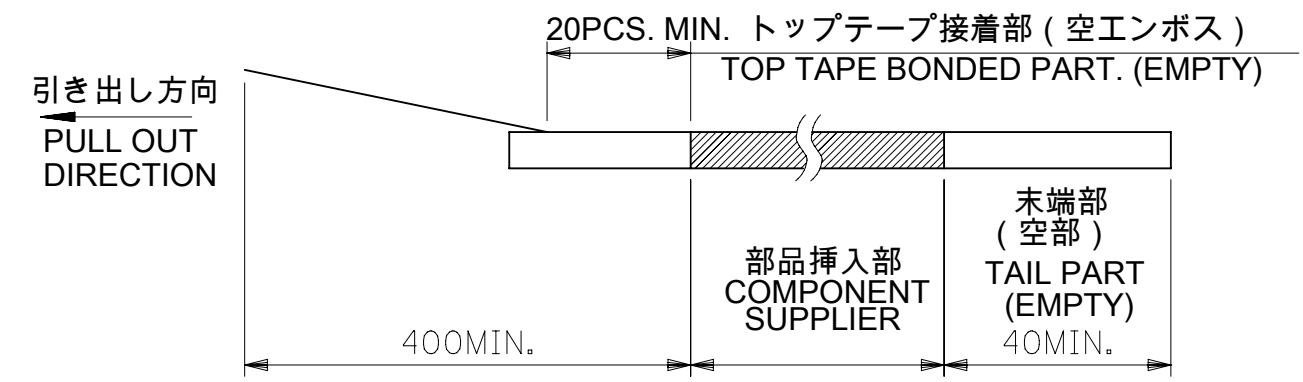
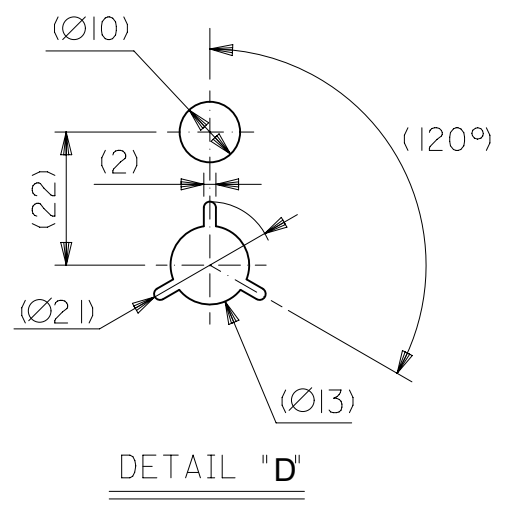


注記 NOTES

1. 製品詳細寸法については製品単体図面を参照下さい。
RE DETAILED DIMENSION, SEE PRODUCT DRAWING.
2. 梱包数量 : 3000個 / リール
NUMBER OF CONNECTORS : 3000PCS/REEL
3. リードテープ長さ LEAD TAPE LENGTH

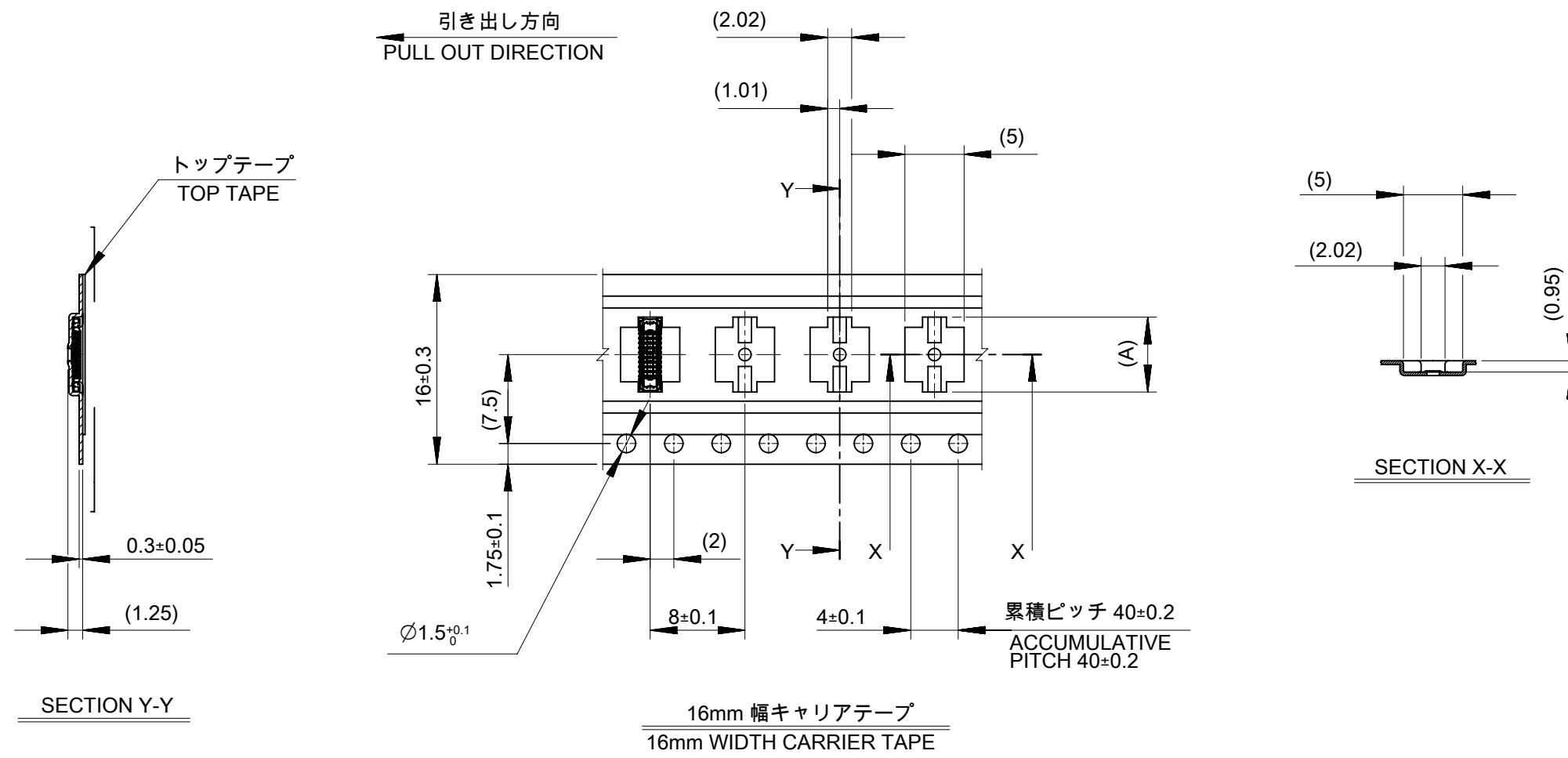


4. トップテープの剥離強度については、IEC60286-3に準拠
TOP TAPE PEEL FORCE IS DEFINED BY IEC60286-3.
5. 材料 MATERIAL
キャリアテープ (CARRIER TAPE) : ポリスチレン (POLYSTYRENE)
トップテープ (TOP TAPE) : PET , OTHER
リール (REEL) : ポリスチレン (PS) <リサイクル材を含む>
POLYSTYRENE (PS) <RECYCLE MATERIAL CONTAINED>
6. ELV 及び RoHS適合品
ELV AND RoHS COMPLIANT



PRE-RELEASE
REFERENCE
USE ONLY

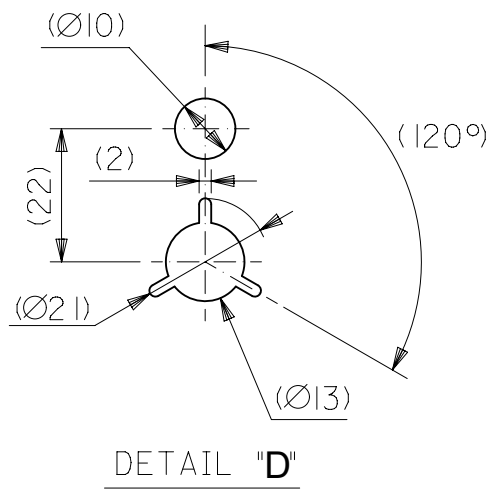
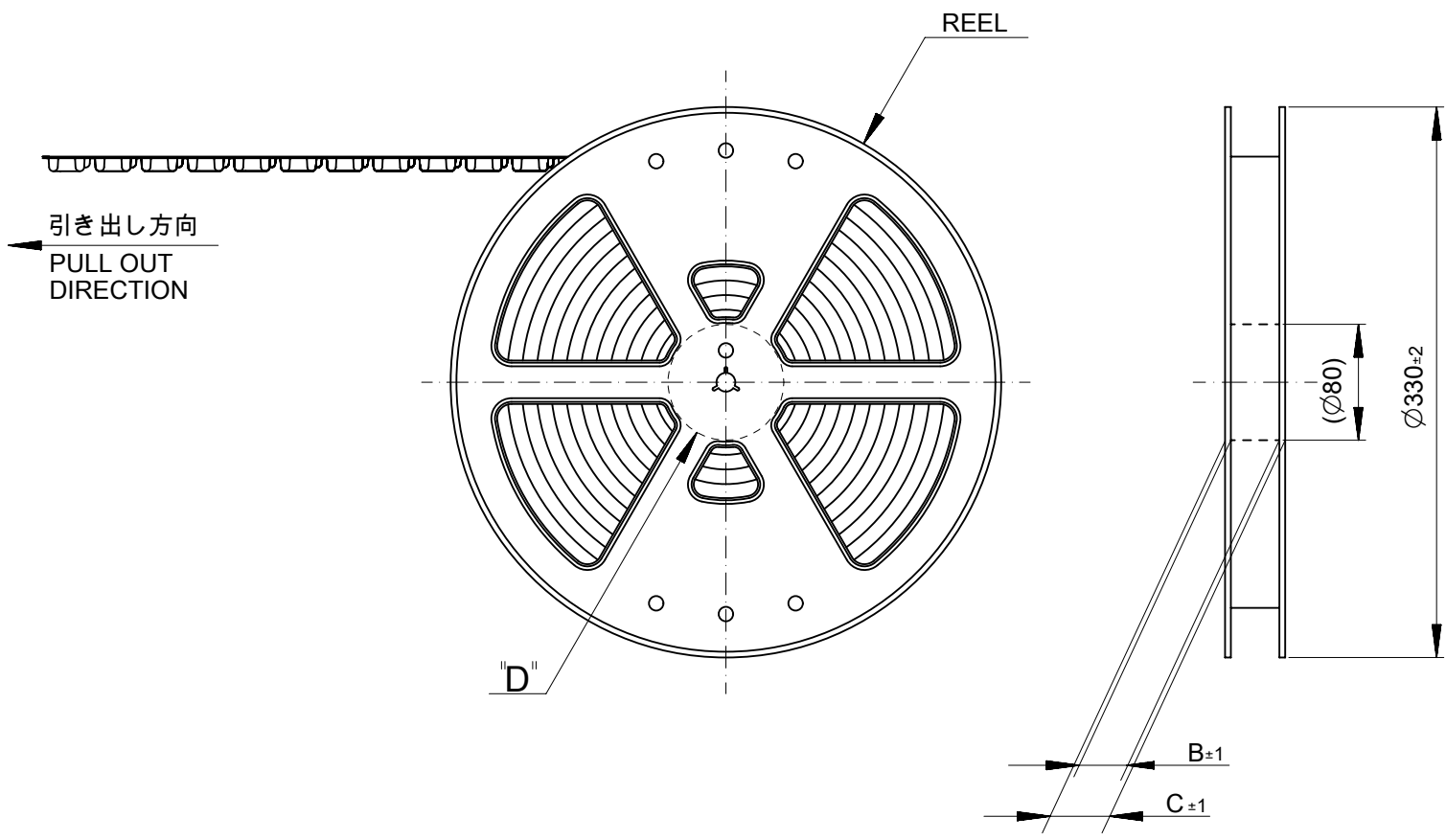
THIS DRAWING CONTAINS INFORMATION THAT IS PROPRIETARY TO MOLEX ELECTRONIC TECHNOLOGIES, LLC AND SHOULD NOT BE USED WITHOUT WRITTEN PERMISSION									
DIMENSION UNITS mm		SCALE NTS		CURRENT REV DESC: REMOVED OBSOLETE PART NUMBER AS PER PCN#511691.				molex	
GENERAL TOLERANCES (UNLESS SPECIFIED)				EC NO: 737858					
				DRWN: SANTHN 2023/02/10				0.4 BB CONN. H=0.8 REC ASSY. FOR CHECKER EMBSTP. PKG	
				CHK'D: GGA 2023/02/24				PRODUCT CUSTOMER DRAWING	
				APPR: GGA 2023/02/24				DOCUMENT NUMBER	
				INITIAL REVISION:				DOC TYPE	
				DRWN: KAMINO 2014/05/13				DOC PART	
				APPR: KMORIKAWA 2014/05/15				REVISION	
				ANGULAR TOL ± 1.0				SD-504208-004	
DRAFT WHERE APPLICABLE MUST REMAIN WITHIN DIMENSIONS		THIRD ANGLE PROJECTION		DRAWING		SERIES		MATERIAL NUMBER	
				A3-SIZE		504208		CUSTOMER	
								GENERAL MARKET	
								SEE TABLE	
								1 OF 2	



16	21.4	17.4	7.12	504208-2480	○	---	24
			6.32	504208-2080	---	---	20
			5.52	504208-1680	○	---	16
			5.12	504208-1480	---	---	14
			4.72	504208-1280	○	---	12
			4.32	504208-1080	○	---	10
キャリアテープ幅 CARRIER TAPE WIDTH	C	B	(A)	MATERIAL No.	量産品 MASS PRODUCTION	試作対応 LOW VOL. TOOL	極数 CIRCUIT
				MODEL No.	サンプル供給 SAMPLE PREPARATION	504208-**80	

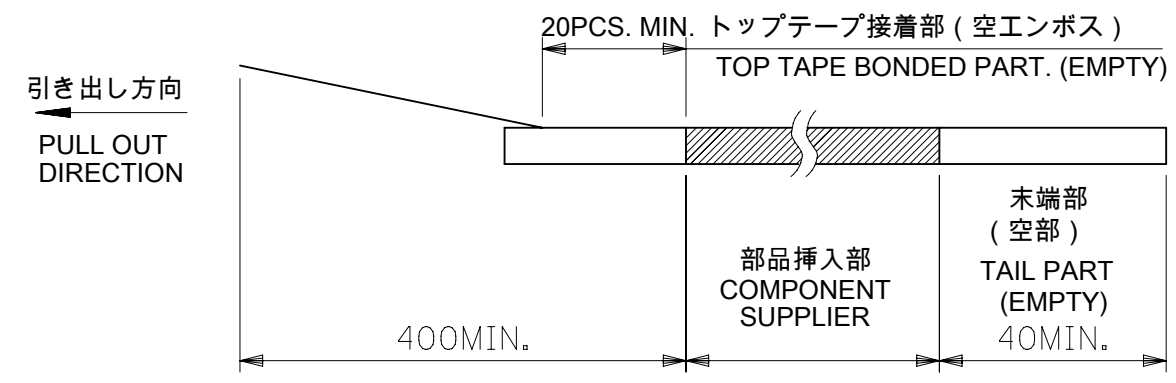
THIS DRAWING CONTAINS INFORMATION THAT IS PROPRIETARY TO MOLEX ELECTRONIC TECHNOLOGIES, LLC AND SHOULD NOT BE USED WITHOUT WRITTEN PERMISSION

DIMENSION UNITS	SCALE	CURRENT REV DESC: REMOVED OBSOLETE PART NUMBER AS PER PCN#511691.	molex																							
mm	NTS																									
GENERAL TOLERANCES (UNLESS SPECIFIED)			0.4 BB CONN. H=0.8 REC ASSY. FOR CHECKER EMBSTP. PKG																							
			PRODUCT CUSTOMER DRAWING																							
<table border="1"> <tr> <th>PLACES</th> <th>MM</th> <th>INCH</th> </tr> <tr> <td>4 PLACES</td> <td>± 0.2</td> <td>±</td> </tr> <tr> <td>3 PLACES</td> <td>± 0.25</td> <td>±</td> </tr> <tr> <td>2 PLACES</td> <td>± 0.3</td> <td>±</td> </tr> <tr> <td>1 PLACE</td> <td>± 0.1</td> <td>±</td> </tr> <tr> <td>0 PLACES</td> <td>±</td> <td>±</td> </tr> <tr> <td colspan="3">ANGULAR TOL ± 1.0</td> </tr> </table>			PLACES	MM	INCH	4 PLACES	± 0.2	±	3 PLACES	± 0.25	±	2 PLACES	± 0.3	±	1 PLACE	± 0.1	±	0 PLACES	±	±	ANGULAR TOL ± 1.0			EC NO: 737858 DRWN: SANTHN 2023/02/10 CHK'D: GGA 2023/02/24 APPR: GGA 2023/02/24 INITIAL REVISION: DRWN: KAMINO 2014/05/13 APPR: KMORIKAWA 2014/05/15		
PLACES	MM	INCH																								
4 PLACES	± 0.2	±																								
3 PLACES	± 0.25	±																								
2 PLACES	± 0.3	±																								
1 PLACE	± 0.1	±																								
0 PLACES	±	±																								
ANGULAR TOL ± 1.0																										
DRAFT WHERE APPLICABLE MUST REMAIN WITHIN DIMENSIONS			THIRD ANGLE PROJECTION	DRAWING	SHEET NUMBER																					
				A3-SIZE	2 OF 2																					
			SERIES	MATERIAL NUMBER	CUSTOMER																					
			504208	SEE TABLE	GENERAL MARKET																					
			DOCUMENT NUMBER	DOC TYPE	DOC PART																					
			SD-504208-004	PSD	001																					
			REVISION	A1																						



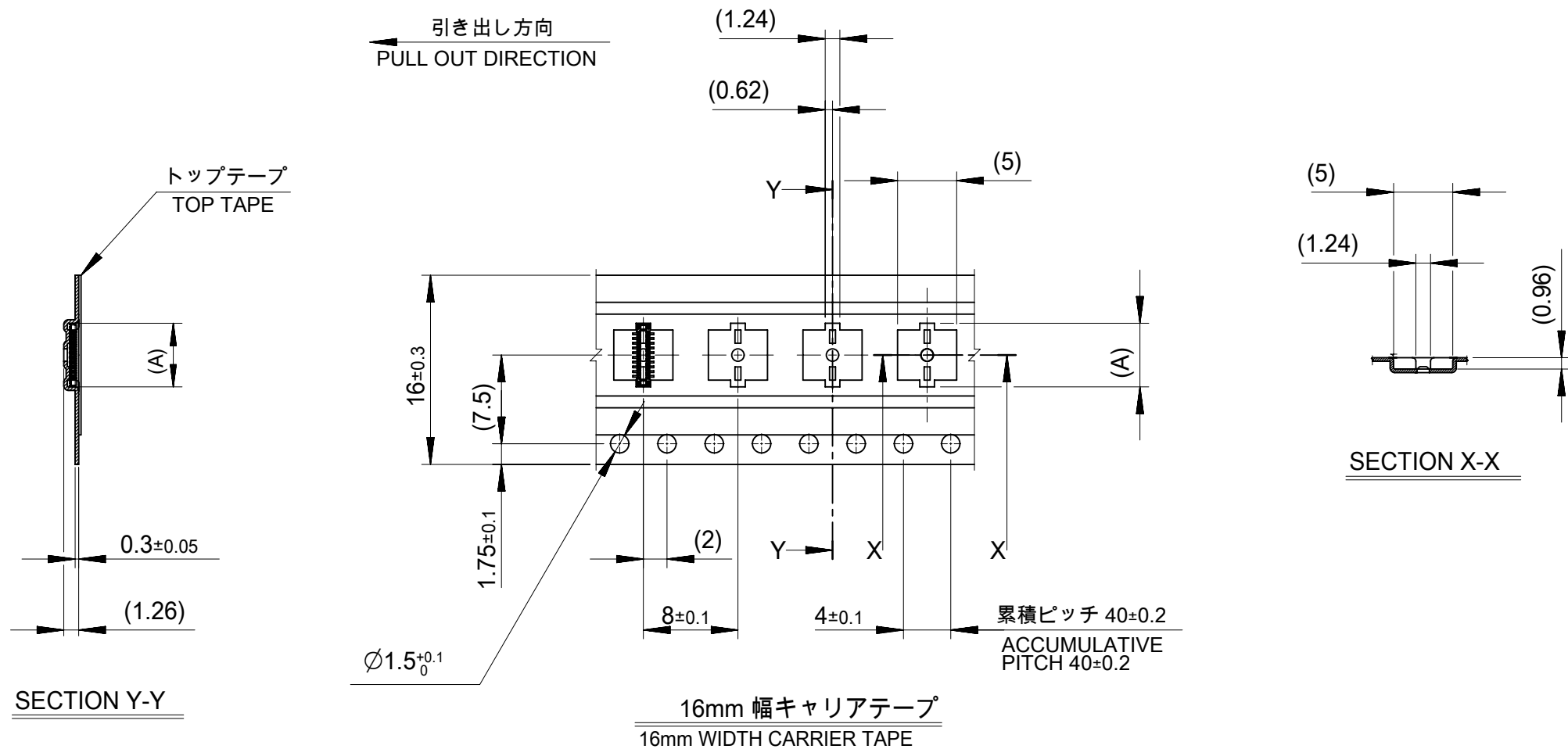
注記 NOTES

- 製品詳細寸法については製品単体図面を参照下さい。
RE DETAILED DIMENSION, SEE PRODUCT DRAWING.
- 梱包数量 : 3000 個 / リール
NUMBER OF CONNECTORS : 3000PCS/REEL
- リードテープ長さ LEAD TAPE LENGTH



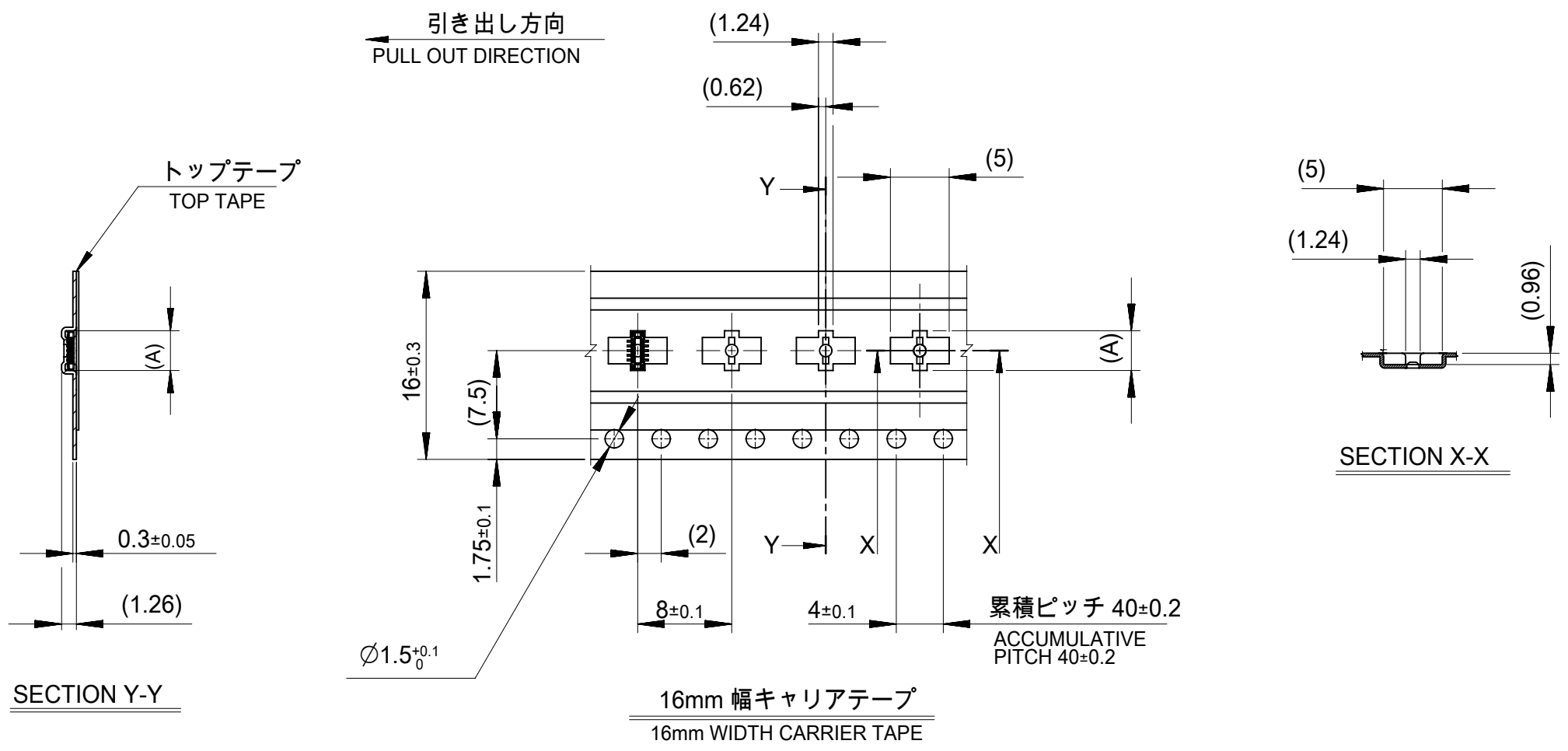
- トップテープの剥離強度については、IEC60286-3に準拠
TOP TAPE PEEL FORCE IS DEFINED BY IEC60286-3.
- 材料 MATERIAL
キャリアテープ (CARRIER TAPE) : ポリスチレン (POLYSTYRENE)
トップテープ (TOP TAPE) : PET, OTHER
リール (REEL) : ポリスチレン (PS) <リサイクル材を含む>
POLYSTYRENE (PS) <RECYCLE MATERIAL CONTAINED>
- ELV 及び RoHS 適合品
ELV AND RoHS COMPLIANT

THIS DRAWING CONTAINS INFORMATION THAT IS PROPRIETARY TO MOLEX ELECTRONIC TECHNOLOGIES, LLC AND SHOULD NOT BE USED WITHOUT WRITTEN PERMISSION										
DIMENSION UNITS	SCALE	CURRENT REV DESC: REMOVED OBSOLETE PART NUMBERS AS PER PCN#511691								
mm	1:1	<p>0.4 BB CONN. H=0.8 PLUG ASSY. FOR CHECKER EMBSTP. PKG</p> <p>PRODUCT CUSTOMER DRAWING</p>								
GENERAL TOLERANCES (UNLESS SPECIFIED)										
ANGULAR TOL	± 1.0°									
4 PLACES	± 0.2									
3 PLACES	± 0.25									
2 PLACES	± 0.3									
1 PLACE	± 0.1	EC NO: 737858	DRWN: LIKITV	2023/02/13	DOCUMENT NUMBER: SD-504248-004 DOC TYPE: PSD DOC PART: 001 REVISION: C1					
0 PLACES	±	CHK'D: GGA	2023/02/24	APPR: GGA						2023/02/24
INITIAL REVISION:		DRWN: KAMINO	2014/05/13	APPR: KMORIKAWA						2014/05/15
DRAFT WHERE APPLICABLE MUST REMAIN WITHIN DIMENSIONS		THIRD ANGLE PROJECTION	DRAWING	SERIES	MATERIAL NUMBER	CUSTOMER	SHEET NUMBER			
			A3-SIZE	504248	SEE SHEET 2 & 3	GENERAL MARKET	1 OF 3			



16	21.4	17.4	6.18	504248-2480	○	---	24
キャリアテープ幅 CARRIER TAPE WIDTH	C	B	(A)	MATERIAL No.	量産品 MASS PRODUCTION	試作対応 LOW VOL. TOOL	極数 CIRCUIT
				MODEL No.	サンプル供給 SAMPLE PREPARATION		504248-**80

THIS DRAWING CONTAINS INFORMATION THAT IS PROPRIETARY TO MOLEX ELECTRONIC TECHNOLOGIES, LLC AND SHOULD NOT BE USED WITHOUT WRITTEN PERMISSION							
DIMENSION UNITS mm	SCALE NTS	CURRENT REV DESC: REMOVED OBSOLETE PART NUMBERS AS PER PCN#511691					
GENERAL TOLERANCES (UNLESS SPECIFIED)		molex 0.4 BB CONN. H=0.8 PLUG ASSY. FOR CHECKER EMBSTP. PKG PRODUCT CUSTOMER DRAWING					
ANGULAR TOL	± 1.0°						
4 PLACES	± 0.2						
3 PLACES	± 0.25						
2 PLACES	± 0.3						
1 PLACE	± 0.1						
0 PLACES	±	EC NO: 737858	DRWN: LIKITV	2023/02/13	DOCUMENT NUMBER		
DRAFT WHERE APPLICABLE MUST REMAIN WITHIN DIMENSIONS		CHK'D: GGA	APPR: GGA	2023/02/24	SD-504248-004		DOC TYPE
THIRD ANGLE PROJECTION		INITIAL REVISION:	DRWN: KAMINO	2014/05/13	PSD	DOC PART	REVISION
DRAWING		APPR: KMORIKAWA	2014/05/15	A3-SIZE	001	C1	
SERIES		MATERIAL NUMBER		CUSTOMER		SHEET NUMBER	
504248		SEE CHART		GENERAL MARKET		2 OF 3	



16	21.4	17.4	3.38	504248-1080	○	---	10
キャリアテープ幅 CARRIER TAPE WIDTH	C	B	(A)	MATERIAL No.	量産品 MASS PRODUCTION	試作対応 LOW VOL. TOOL	極数 CIRCUIT
				MODEL No.	サンプル供給 SAMPLE PREPARATION		504248-**80

THIS DRAWING CONTAINS INFORMATION THAT IS PROPRIETARY TO MOLEX ELECTRONIC TECHNOLOGIES, LLC AND SHOULD NOT BE USED WITHOUT WRITTEN PERMISSION

DIMENSION UNITS mm	SCALE NTS	CURRENT REV DESC: REMOVED OBSOLETE PART NUMBERS AS PER PCN#511691	molex			
GENERAL TOLERANCES (UNLESS SPECIFIED)		EC NO: 737858			0.4 BB CONN. H=0.8 PLUG ASSY. FOR CHECKER EMBSTP. PKG	
ANGULAR TOL	± 1.0°	DRWN: LIKITV	2023/02/13			
4 PLACES	± 0.2	CHK'D: GGA	2023/02/24			
3 PLACES	± 0.25	APPR: GGA	2023/02/24			
2 PLACES	± 0.3	INITIAL REVISION:	DOCUMENT NUMBER			
1 PLACE	± 0.1	DRWN: KAMINO	SD-504248-004			
0 PLACES	±	APPR: KMORIKAWA	DOC TYPE DOC PART REVISION PSD 001 C1			
DRAFT WHERE APPLICABLE MUST REMAIN WITHIN DIMENSIONS	THIRD ANGLE PROJECTION	DRAWING	SERIES	MATERIAL NUMBER	CUSTOMER	SHEET NUMBER
		A3-SIZE	504248	SEE CHART	GENERAL MARKET	3 OF 3