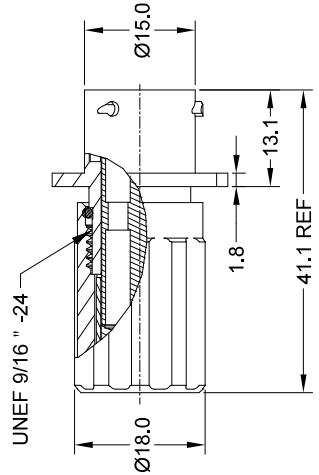
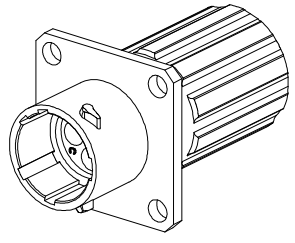
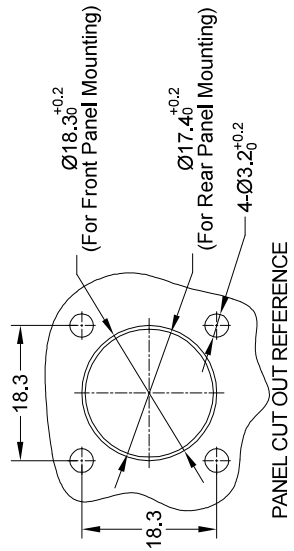
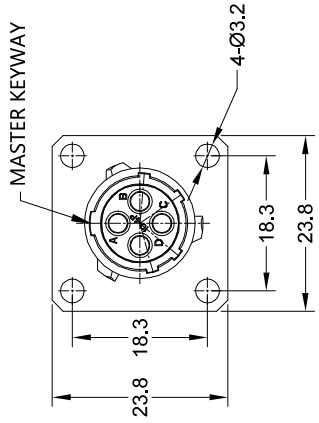
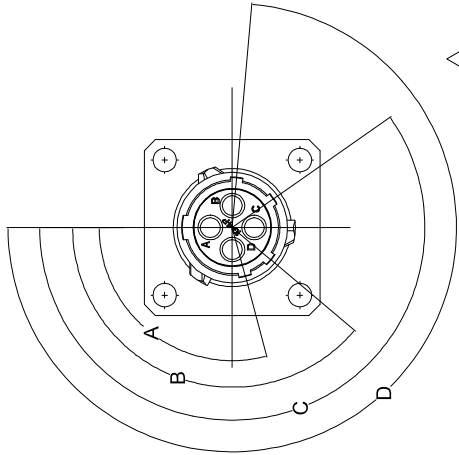


REV	ECO	DESCRIPTION	DATE	BY	APPR
B1	-	RELEASED DRAWING	Nov-17-2014	Ben	Tommy
B2	-	VOLTAGE UPDATE AND ADD KEY ICON	Jun-17-2020	Flan	Tommy

REVISIONS



- NOTES : (UNLESS OTHERWISE SPECIFIED)
- MATERIAL :
 1. SHELL : ZINC ALLOY , NICKEL PLATED.
 INSERT : THERMOPLASTIC , UL94 V-0.
 END CAP : THERMOPLASTIC , UL94 V-0.
 PLASTIC BUSHING : THERMOPLASTIC , UL94 V-0.
 SEAL GASKET : NBR/SILICONE RUBBER.
 O-RING : NBR/SILICONE RUBBER.
 WIRE SEAL : SILICONE RUBBER.
 - SPECIFICATIONS :
 2.1 RATED CURRENT : 13A (MAX).
 2.2 RATED VOLTAGE : 500V (AC/DC) .
 2.3 OPERATING TEMPERATURE : SEE CHART.
 2.4 DIELECTRIC WITHSTANDING VOLTAGE : LESS THAN 2 MILLIAMPS CURRENT LEAKAGE@2000 VOLTS AC.
 2.5 INSULATION RESISTANCE : 5000 MEGOHMS MIN.
 2.6 IP-CLASS : IP67(MATED CONDITION).
 2.7 MATING CYCLES DURABILITY : 500 CYCLES MIN.
 2.8 ROHS COMPLIANT.
 - SUITABLE CONTACTS : 16# CONTACTS.
 - ALL DIMENSIONS ARE FOR REFERENCE USE ONLY.
 - CONTACT SIZE AND REAR SEAL WIRE RANGE:

KEY POS	PART NUMBER		A	B	C	D
	-40°C ~ 105°C	-40°C ~ 125°C				
N	RT00104PNHEC	RT00104PNHEC03	105°	140°	215°	265°
W	RT00104PWHEC	RT00104PWHEC03	45°	140°	215°	265°
X	RT00104PXHEC	RT00104PXHEC03	105°	160°	215°	265°
Y	RT00104PYHEC	RT00104PYHEC03	105°	140°	225°	265°
Z	RT00104PZHEC	RT00104PZHEC03	105°	140°	215°	295°

QUANTITY	SEE PART NUMBER CHART	PART NUMBER	DESCRIPTION	ITEM
MATERIALS LIST				
UNLESS OTHERWISE SPECIFIED 1) All dimensions are in millimeters. 2) Tolerances are as follows: 3 PL DEC 20.15 Angles 4.14 3 PL DEC 20.08 Angles 4.14		SIGNATURES		
3) Note reference =		DATE	DATE	
		DESIGNED	Flan	Jun-17-2020
		CHECKED	Om	Jun-18-2020
		ENGINEER	Tommy	Jun-18-2020
		APPROVAL		
MATERIAL SPECIFICATIONS		CUSTOMER	ECOMATE RM RECEPTACLE , SIZE 10, 4POS,PIN, END CAP.	
PROCESS SPECIFICATIONS		INDUSTRIAL SUPPLIERS INFORMATION FOR PERFORMANCES SPECIFICATIONS AND PERFORMANCE DATA FOR THE AMPHENOL CORPORATION. NO RIGHTS OF REPRODUCTION ARE IMPLIED. ALL DIMENSIONS ARE IN MILLIMETERS UNLESS OTHERWISE SPECIFIED. MANUFACTURING VARIATIONS.	DWG NO: RT00104P*HEC* SCALE: NONE	
NEXT ASST.		SIZE	SHEET 1 OF 1	
		TYPE	REVISION B2	

Amphenol

Sine Systems - www.amphenol-sine.com
44724 Motley Drive
Clinton Township, MI 48036

CONTACT SIZE	MIN. INSUL O.D.	MAX. INSUL O.D.
16#	Ø2.0mm	Ø3.2mm