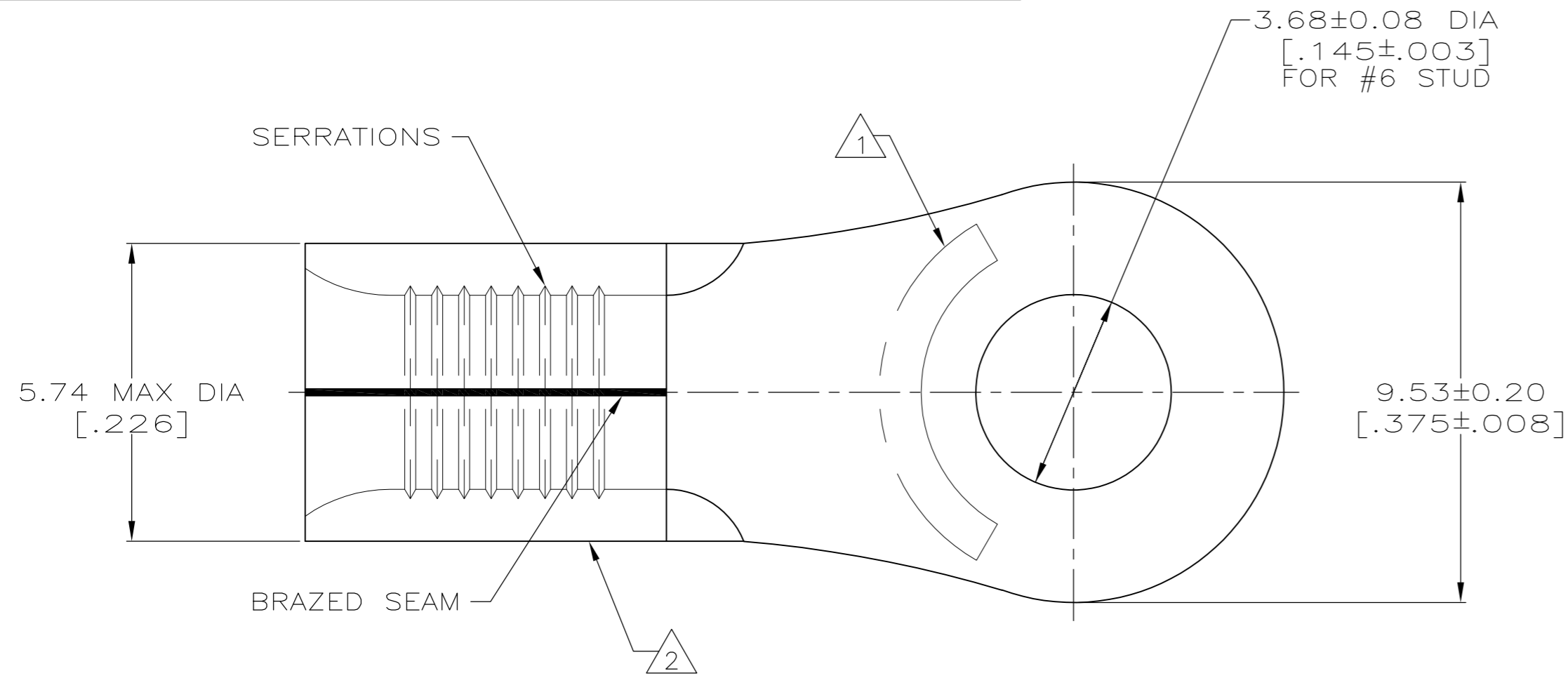


THIS DRAWING IS UNPUBLISHED. RELEASED FOR PUBLICATION  
 © COPYRIGHT - By - ALL RIGHTS RESERVED.

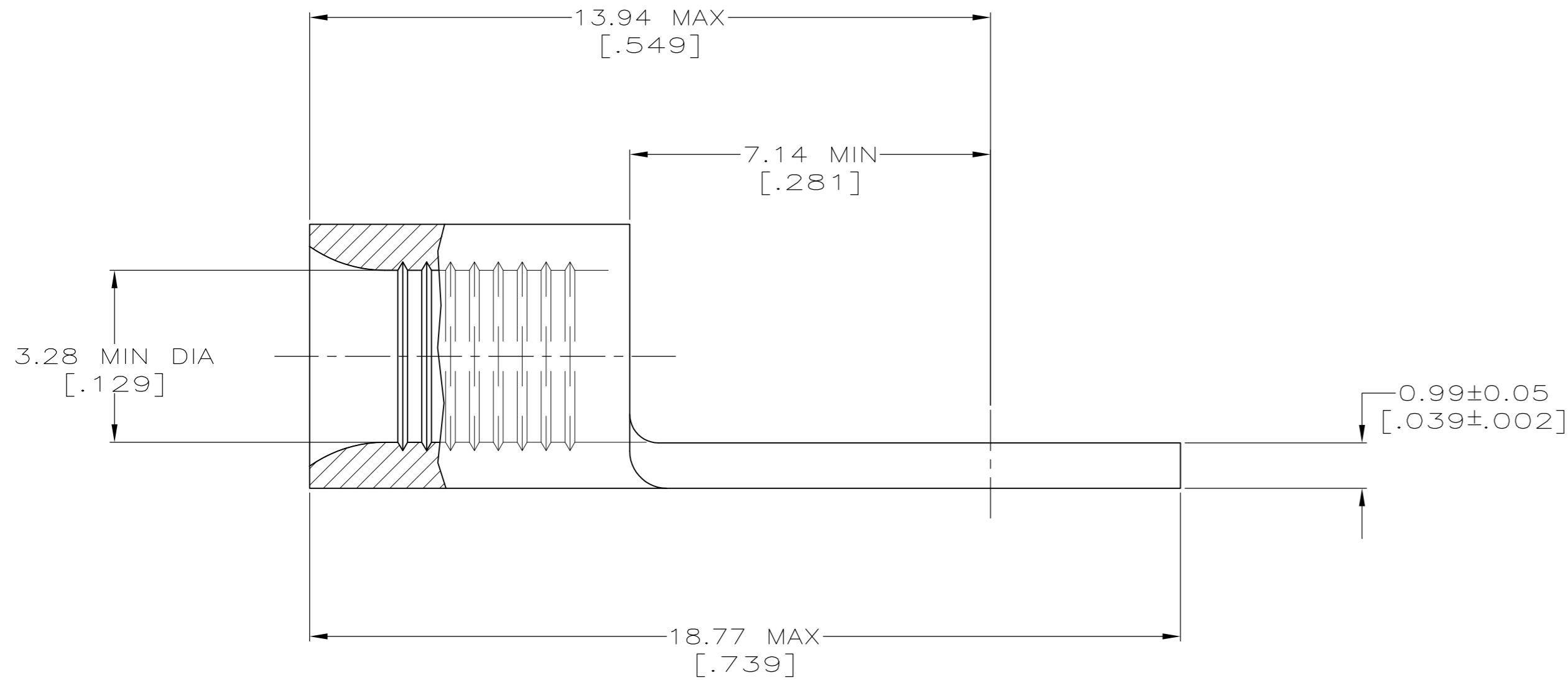
LOC	DIST	REVISIONS			
P	LTR	DESCRIPTION	DATE	DWN	APVD
G	14	G2	REVISED PER ECO-12-011609	22JUN12	KH DR



**AMP**  
WIRE RANGE

12-10 AWG  
SOLID OR STRANDED

- 1 STAMP AMP 12-10 APPROX AS SHOWN.
- 2 WIRE BARREL COLOR CODED ORANGE TO DENOTE NICKEL MATERIAL.
- 3 NICKEL PER ASTM B-162, ANNEALED.
- 4 NOTE DELETED.



2500	ON TAPE & REEL	2-323059-3
500	LOOSE PIECE	323059
QTY	PACKAGE TYPE	PART NUMBER

**AMP INCORPORATED**  
CUSTOMER SERVICE SYSTEMS

MAX RECOMMENDED OPERATING TEMPERATURE:  
649°C [1200°F]

VOLTAGE RATING:  
N/A

CIRCULAR MIL AREA:  
2.62-6.64mm² [5,180-13,100]  
SOLID OR STRANDED

FOR ADDITIONAL PRODUCT INFORMATION OR COPIES OF DRAWINGS AND TECHNICAL DOCUMENTS: PRODUCT INFORMATION CENTER 1-800-522-6752

FOR APPLICATION TOOLING ASSISTANCE CENTER: TOOLING ASSISTANCE CENTER 1-800-722-1111

FOR ORDER ENTRY: 1-800-526-5142

THIS DRAWING IS A CONTROLLED DOCUMENT FOR AMP INCORPORATED. IT IS SUBJECT TO CHANGE AND THE CONTROLLING ENGINEERING ORGANIZATION SHOULD BE CONTACTED FOR THE LATEST REVISION.

THIS DRAWING IS A CONTROLLED DOCUMENT.

DWN TA BRINKMAN 4-16-93  
CHK DA PATTERSON 4-16-93  
APVD JL MECKLEY 4-16-93

**TE** TE Connectivity

NAME: TERMINAL, RING TONGUE, HIGH TEMPERATURE, STRATO-THERM

DIMENSIONS: mm [INCHES] TOLERANCES UNLESS OTHERWISE SPECIFIED:

0 PLC	±	-
1 PLC	±	-
2 PLC	±	-
3 PLC	±	-
4 PLC	±	-
ANGLES	±	-

MATERIAL: FINISH: -

WEIGHT: -

SCALE: 10:1 SHEET: 1 OF 1 REV: G2

CUSTOMER DRAWING

SIZE: A2 CAGE CODE: 00779 DRAWING NO: C-323059 RESTRICTED TO: -