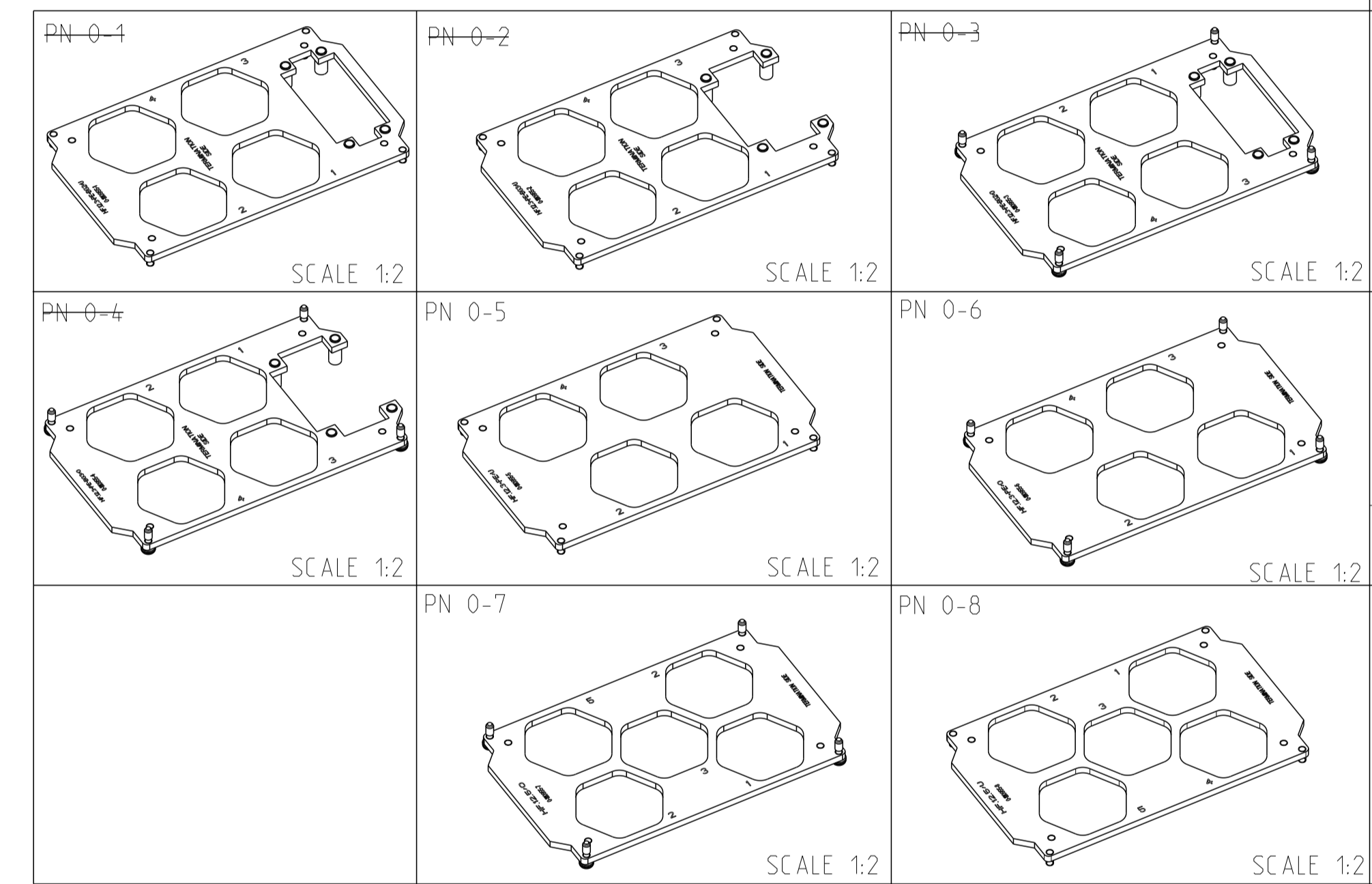


| REVISIONS | | | | |
|-----------|------|---------------|-----------|------------|
| P. | LTN. | DESCRIPTION | DATE | DMN. APVD. |
| B10 | | ECR-21-123594 | 22JAN2022 | RK JB |

- NOTES
- 1 MATERIAL:SEE THE TABLE
 - 2 SURFACE:SEE THE TABLE
 - 3 PACKAGING QUANTITY 5 PIECES IN A CARTON
 - 4 WEIGHT:0.112 Kg (APROX)



| OBSOLETE | | OBSOLETE | | | | | | | | | |
|----------|-----|----------|-----|-----|-----|-----|-----|------------------|----------|---------------|-----|
| 4 | 4 | 4 | 4 | | | | | | | | |
| | | | | 4 | 4 | | | | | | |
| | | | | 4 | 4 | | | | | | |
| 1 | 1 | | | | | | | | | | |
| | | 1 | 1 | | | | | | | | |
| | | | | 1 | 1 | | | | | | |
| | | | | 1 | 1 | | | | | | |
| 0-8 | 0-7 | 0-6 | 0-5 | 0-4 | 0-3 | 0-2 | 0-1 | | | | |
| | | | | | | | | DESCRIPTION | MATERIAL | SURFACE | A B |
| | | | | | | | | HF.12.3+PE+BG2/U | STEEL | NICKEL PLATED | 7 |
| | | | | | | | | HF.12.3+PE+BG3/U | STEEL | ZINC PLATED | 6 |
| | | | | | | | | HF.12.3+PE+BG2/O | STEEL | ZINC PLATED | 5 |
| | | | | | | | | HF.12.3+PE+BG3/O | STEEL | ZINC PLATED | 4 |
| | | | | | | | | HF.12.3+PE/U | STEEL | ZINC PLATED | 3 |
| | | | | | | | | HF.12.3+PE/O | STEEL | ZINC PLATED | 2 |
| | | | | | | | | HF.12.5/O | STEEL | ZINC PLATED | 1 |
| | | | | | | | | HF.12.5/U | STEEL | ZINC PLATED | 0 |

THIS DRAWING IS A CONTROLLED DOCUMENT.

DMN. SCHNEIDER 06.09.2006
CHK. H.BRAUN 06.09.2006

TOLERANCES UNLESS OTHERWISE SPECIFIED:
mm
0 PLC ±
1 PLC ±
2 PLC ±
3 PLC ±
4 PLC ±
ANGLES ±

MATERIAL: 1
FINISH: 2

NAME: FIXING PLATE SERIES HF SIZE 12
SIZE: 108-74XXX
APPLICATION SPEC: 116-74XXX
WEIGHT: 0.112 Kg
CUSTOMER DRAWING

TE Connectivity

SCALE: 5:1 SHEET 1 OF 1