

796075-1 ✓ ACTIVE

AMP | AMP CPC

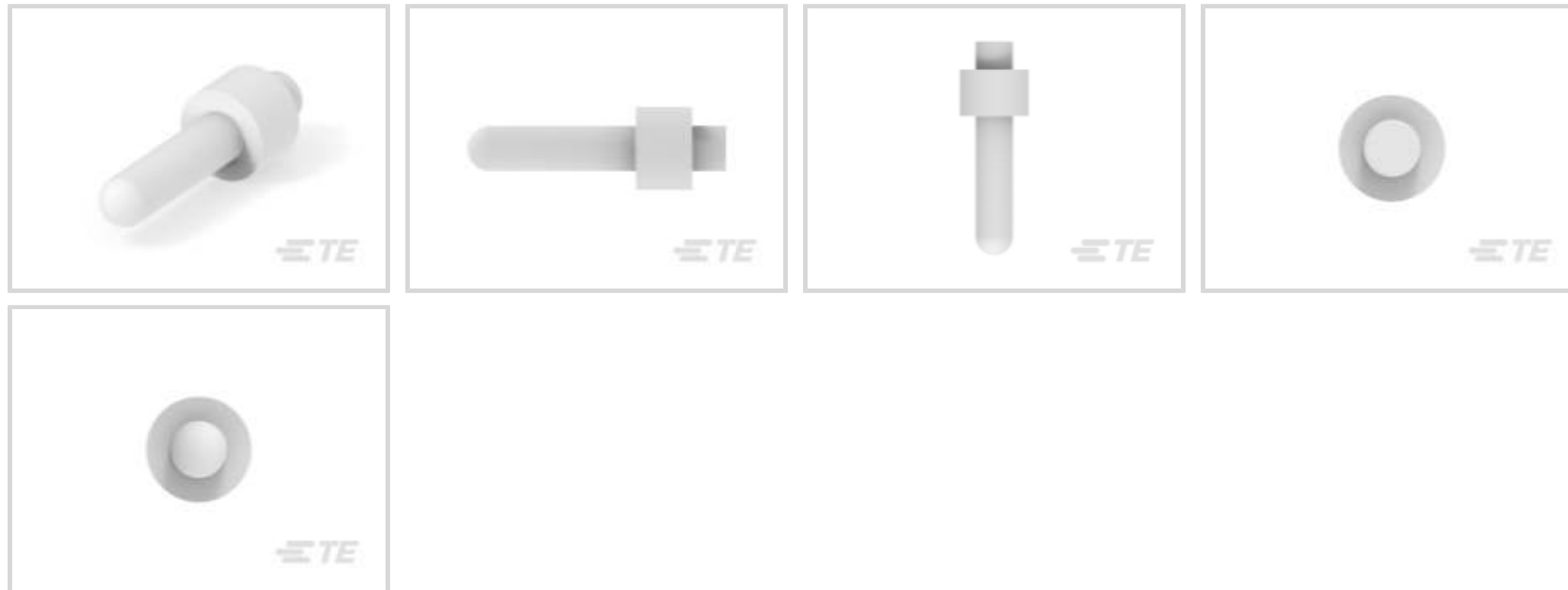
TE Internal #: 796075-1

Circular Connector Seals, Wire Entry Seal, -55 – 105 °C [-67 – 221 °F], Natural, AMP CPC

[View on TE.com >](#)



Connectors > Circular Connectors > Circular Connector Accessories > Circular Connector Seals > Sealed Accessories for CPC Series 5



Connector Seal & Plug Type: **Wire Entry Seal**

Operating Temperature Range: -55 – 105 °C [-67 – 221 °F]

Primary Product Color: **Natural**

Operating Temperature (Max): 105 °C [221 °F]

[All Sealed Accessories for CPC Series 5 \(6\)](#)

Features

Product Type Features

Connector Seal & Plug Type	Wire Entry Seal
----------------------------	-----------------

Body Features

Primary Product Color	Natural
-----------------------	---------

Usage Conditions

Operating Temperature Range	-55 – 105 °C[-67 – 221 °F]
-----------------------------	----------------------------

Operating Temperature (Max)	105 °C[221 °F]
-----------------------------	----------------

Packaging Features

Packaging Quantity	6
--------------------	---

Packaging Method	Loose Piece
------------------	-------------

Product Compliance

[For compliance documentation, visit the product page on TE.com>](#)

EU RoHS Directive 2011/65/EU	Compliant
------------------------------	-----------

EU ELV Directive 2000/53/EC

Compliant

China RoHS 2 Directive MIIT Order No 32, 2016

No Restricted Materials Above Threshold

EU REACH Regulation (EC) No. 1907/2006

Current ECHA Candidate List: JUNE 2023
(235)Candidate List Declared Against: JAN 2023
(233)

Does not contain REACH SVHC

Halogen Content

Low Halogen - Br, Cl, F, I < 900 ppm per
homogenous material. Also BFR/CFR/PVC
Free

Solder Process Capability

Not applicable for solder process capability

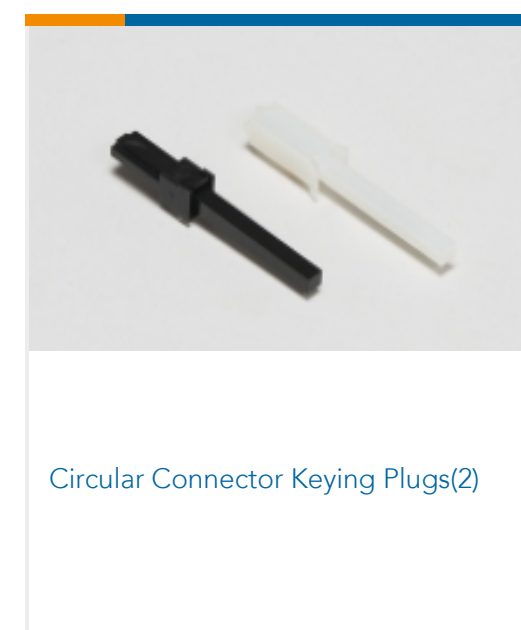
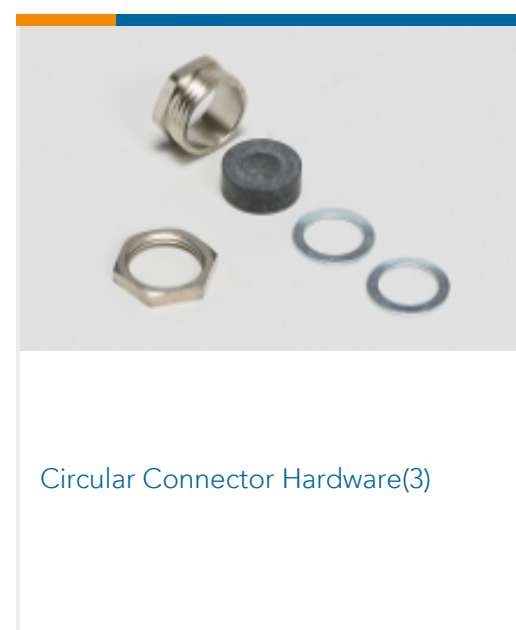
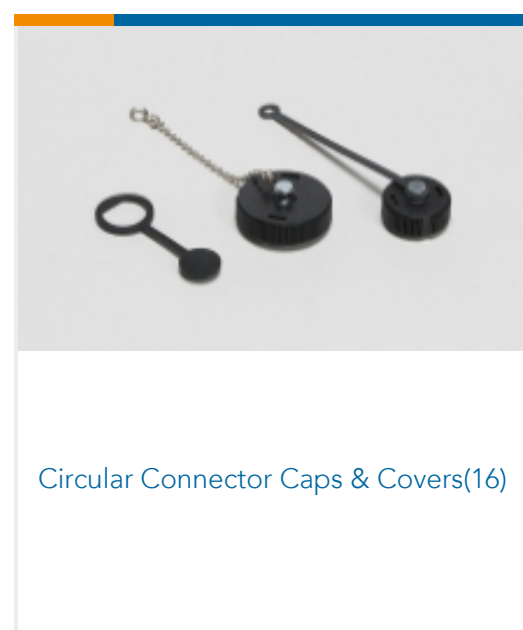
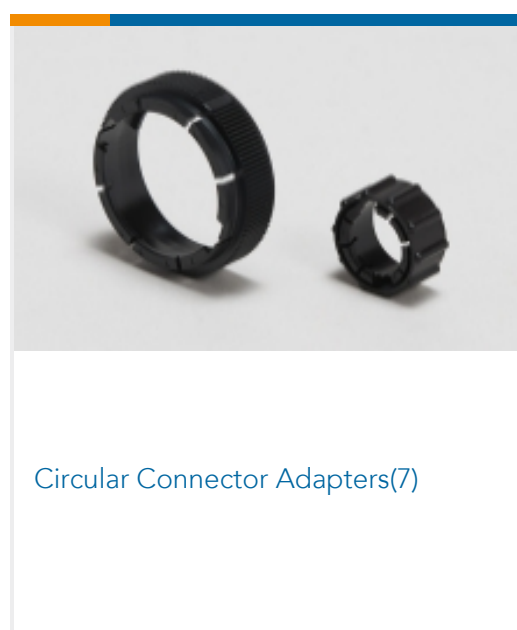
Product Compliance Disclaimer

This information is provided based on reasonable inquiry of our suppliers and represents our current actual knowledge based on the information they provided. This information is subject to change. The part numbers that TE has identified as EU RoHS compliant have a maximum concentration of 0.1% by weight in homogenous materials for lead, hexavalent chromium, mercury, PBB, PBDE, DBP, BBP, DEHP, DIBP, and 0.01% for cadmium, or qualify for an exemption to these limits as defined in the Annexes of Directive 2011/65/EU (RoHS2). Finished electrical and electronic equipment products will be CE marked as required by Directive 2011/65/EU. Components may not be CE marked. Additionally, the part numbers that TE has identified as EU ELV compliant have a maximum concentration of 0.1% by weight in homogenous materials for lead, hexavalent chromium, and mercury, and 0.01% for cadmium, or qualify for an exemption to these limits as defined in the Annexes of Directive 2000/53/EC (ELV). Regarding the REACH Regulation, the information TE provides on SVHC in articles for this part number is based on the latest European Chemicals Agency (ECHA) 'Guidance on requirements for substances in articles' posted at this URL: <https://echa.europa.eu/guidance-documents/guidance-on-reach>

Compatible Parts



Also in the Series | AMP CPC





Circular Connector Seals(36)



Circular Power Connectors(459)



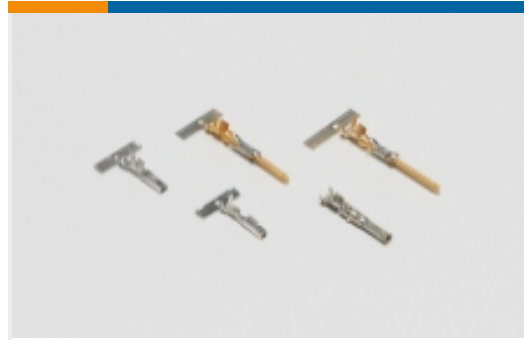
Connector Backshells(56)



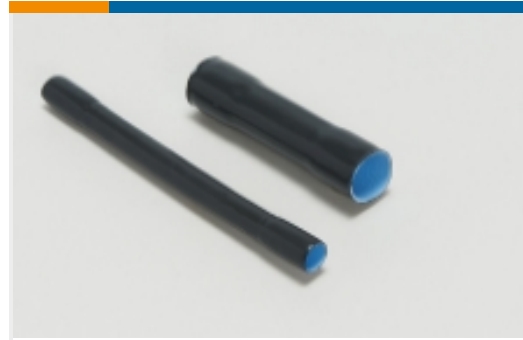
Connector Strain Relief(6)



Insertion & Extraction Tools(1)



Power Contacts(6)

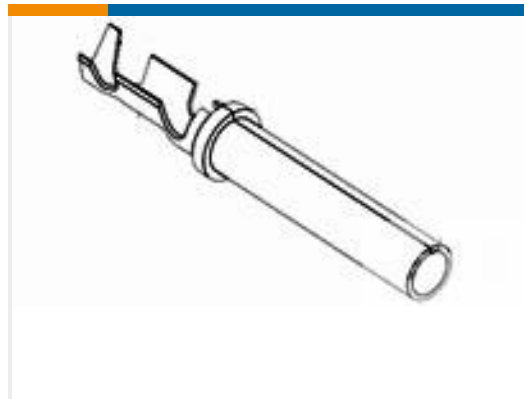


Sealing Sleeves(2)

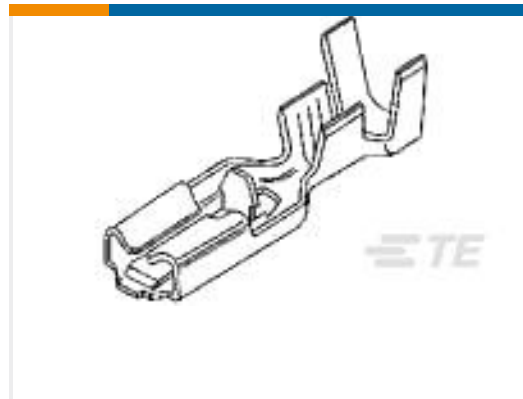
Customers Also Bought



TE Part #796287-1
One-Piece Connector, Sealed, CPC Series 1



TE Part #776297-1
ASSEMBLY SOCKET LOOSE PC GOLD



TE Part #63097-1
250 PL MKII REC. 18-14AWG TPBR



TE Part #2-1445091-5
MICRO MNL HDR ASSY S/ROW AU LF



TE Part #3-2176230-9
3522 1K2 5% 3W



TE Part #1571113-4
PRDDD3-16F-BB000=POWER ROCKER



TE Part #8-1618406-3
EV202ASAND=Relay, DPST-NO 28V

Documents

[Product Drawings](#)
[NGC SEALING PLUG](#)

English

CAD Files

[3D PDF](#)

[3D](#)

[Customer View Model](#)

[ENG_CVM_CVM_796075-1_C.2d_dxf.zip](#)



English

Customer View Model

[ENG_CVM_CVM_796075-1_C.3d_igs.zip](#)

English

Customer View Model

[ENG_CVM_CVM_796075-1_C.3d_stp.zip](#)

English

[3D PDF](#)

English

Customer View Model

[ENG_CVM_796075-1_D.2d_dxf.zip](#)

English

Customer View Model

[ENG_CVM_796075-1_D.3d_igs.zip](#)

English

Customer View Model

[ENG_CVM_796075-1_D.3d_stp.zip](#)

English

By downloading the CAD file I accept and agree to the [Terms and Conditions](#) of use.

Datasheets & Catalog Pages

[1-1773902-9_CPC_Catalog](#)

English

[1-1773902-9_CPC_Catalog](#)

[1-1773902-9_CPC_Catalog](#)

German

[1-1773902-9_CPC_Catalog](#)

Japanese