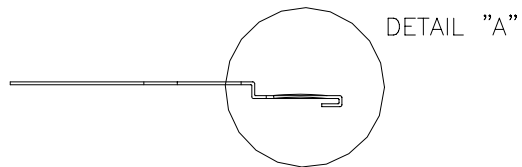
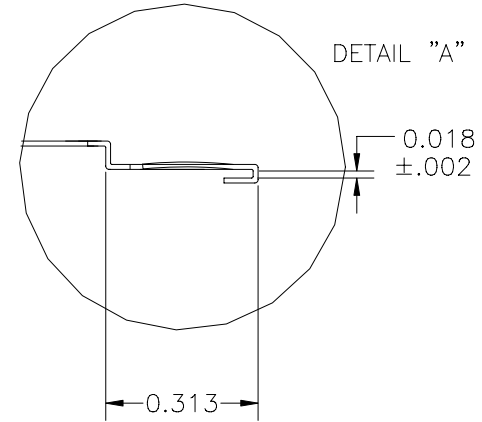
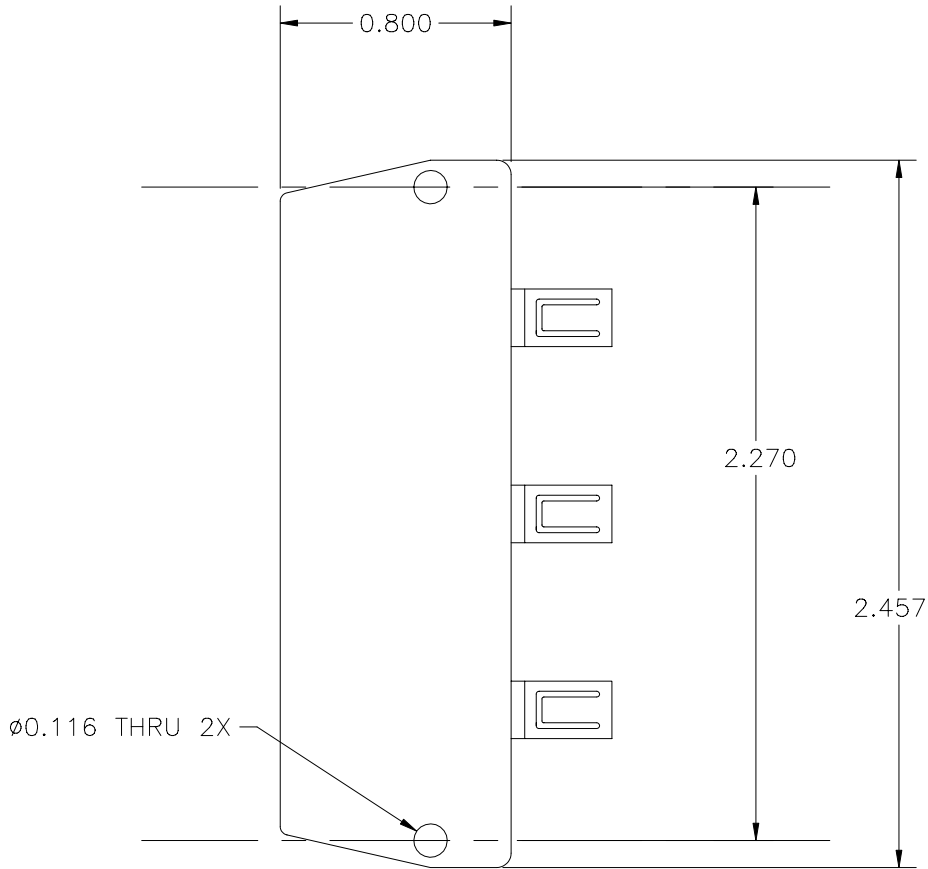


REVISIONS			
LTR	DESCRIPTION	DATE	APPROVED
N/C	RELEASED PER ECN T-20873		



© Raychem Corporation 1988

## SPECIFICATION CONTROL DRAWING

**If this document is printed it becomes uncontrolled.  
Check with the web for latest revision.**

1. NICKEL PLATE PER MIL-C-26074, CLASS 2, .000150/.000250 THICKNESS.

NOTES:

UNLESS OTHERWISE SPECIFIED DIMENSIONS ARE IN INCHES. METRIC DIMENSIONS ARE IN BRACKETS.  DECIMALS .XXX ± .005 [ mm .XX ± .01 [ mm ANGLES .X ± 1°  MATERIAL Be Cu 172A 0.010 THICKNESS	DRAWN	TIMM	04/16/96	<b>Raychem</b> <small>RAYCHEM CORPORATION          300 CONSTITUTION DRIVE          MENLO PARK, CALIFORNIA 94025</small>			
	CHECKED					TITLE	
	APPROVED			BUSBAR, 2"			
	PCN	156773-000		FOR PLUG SHELL			
	CAD NAME		\010058.DWG		GROUNDING BLOCK		
	THIRD ANGLE PROJECTION			SIZE	CODE IDENT. NO.	DWG. NO.	REV
		C	06090	CHA-0292	N/C		
DO NOT SCALE THIS DRAWING				SHEET 1 OF 1			

DWG NO. CHA-0292 SHEET 1