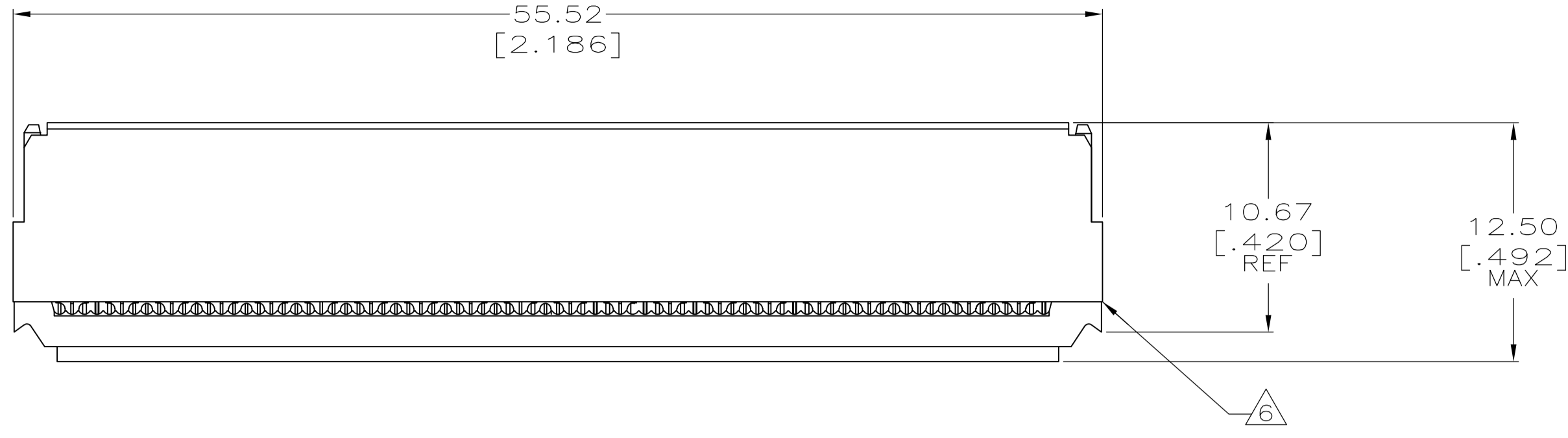
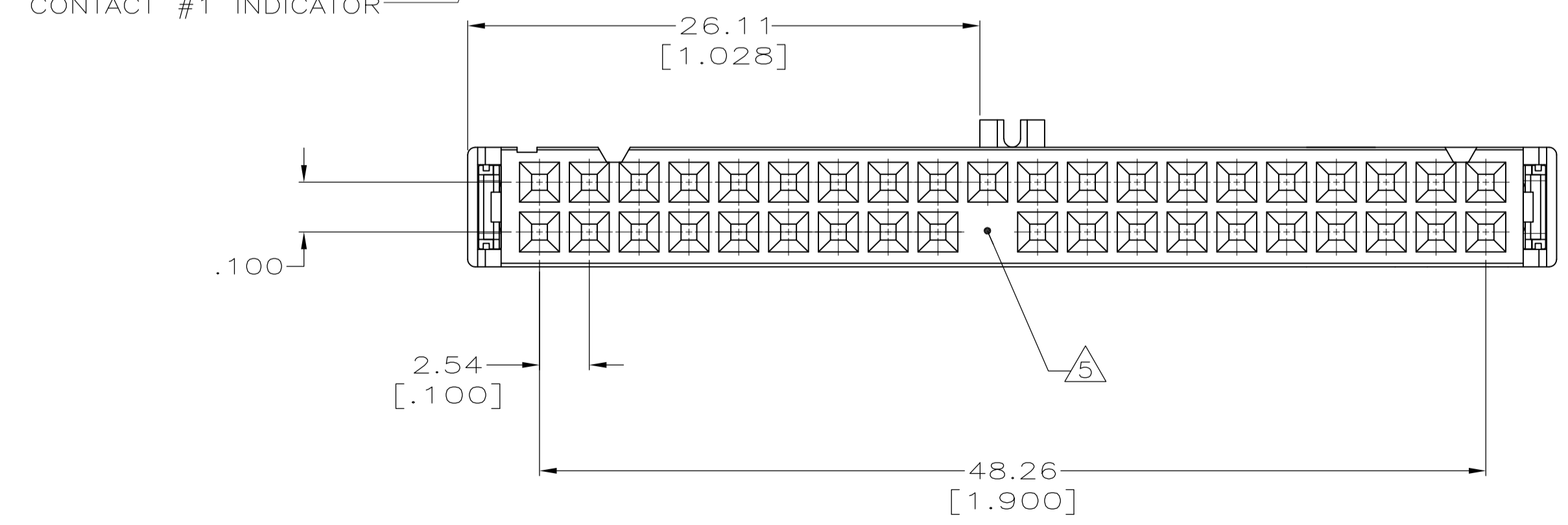
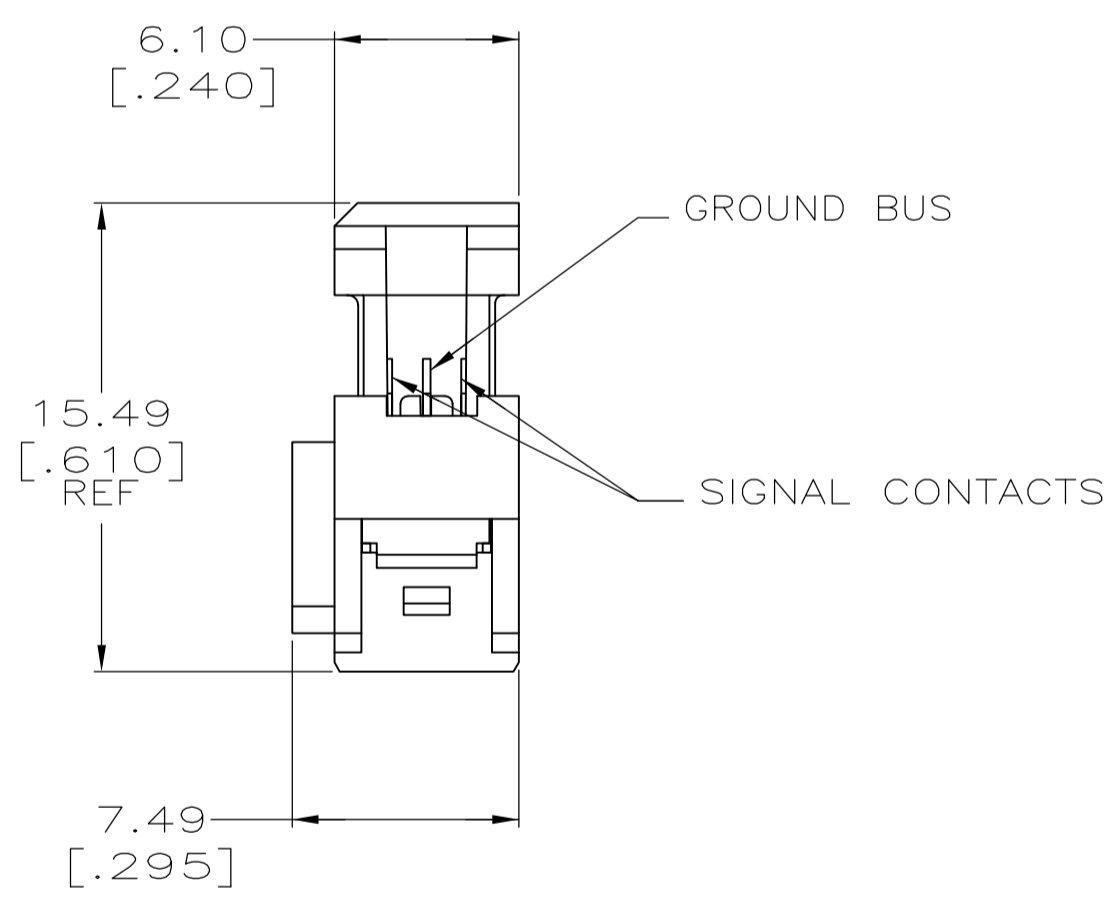
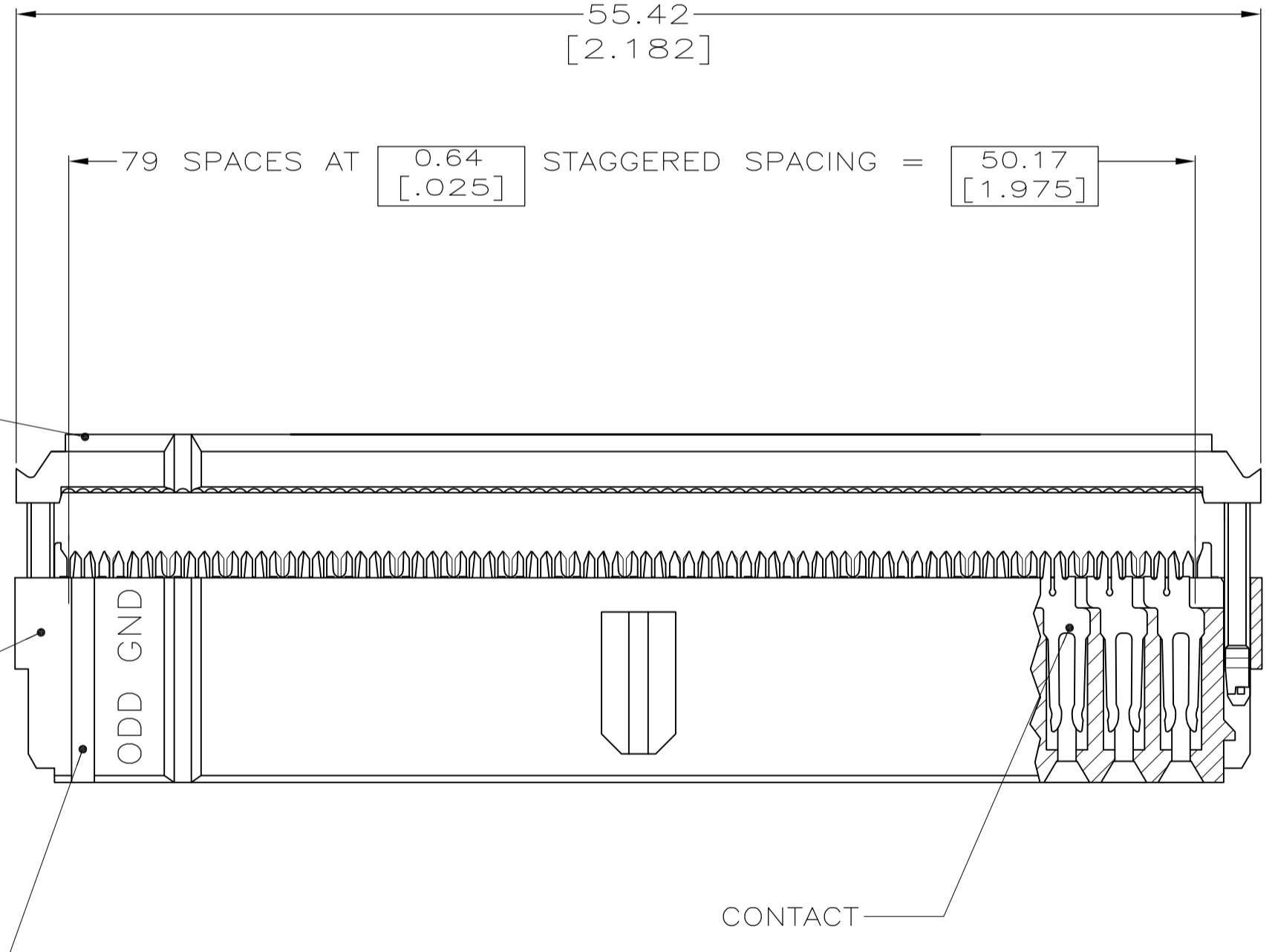
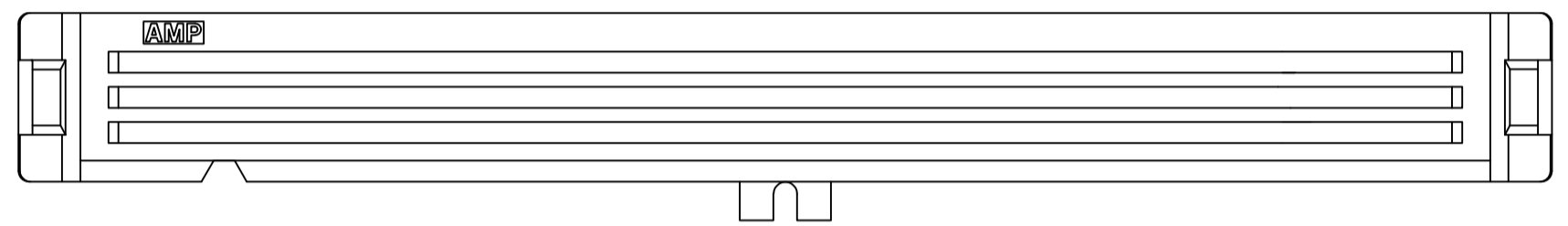


| REVISIONS | | | | |
|-----------|-----|---------------|-----------|---------|
| P | LTR | DESCRIPTION | DATE | OWN |
| A4 | | ECR-16-008724 | 16JUN2016 | I.T W.H |



TERMINATED VIEW



- ① HOUSING: THERMOPLASTIC, UL 94V-0 RATED, SEE TABLE. COVER: THERMOPLASTIC, UL 94V-0 RATED, BLACK. CONTACTS: PHOSPHOR BRONZE PER QQ-B-750.
- ② CONTACTS: 0.38μm[.000015] MIN GOLD ON MATING END, 1.27μm[.000050] MIN TIN ON TERMINATION END, ALL OVER 1.27μm[.000050] MIN NICKEL ON ENTIRE CONTACT. GROUND BUS: 2.54μm[.000100] MIN TIN OVER 1.27μm[.000050] MIN NICKEL ON ENTIRE GROUND BUS.
- ③ CONTACT 34 GROUNDED.
- ④ NO CONTACT AT POSITION 28.
- ⑤ MOLDED KEYING AT CONTACT 20.
- ⑥ NO GAP ALLOWED BETWEEN COVER AND HOUSING AT TERMINATION. .012 MAX GAP AT ANY OTHER TIME AFTER TERMINATION.
- 7. ALL ODD CABLE CONDUCTORS TERMINATE DIRECTLY TO THE GROUND BUS IN ALL CONNECTORS.
- 8. ALL EVEN CABLE CONDUCTORS TERMINATE TO CONNECTOR CONTACT NUMBERS USING THE FOLLOWING FORMULA: CABLE CONDUCTOR "X" TERMINATES TO CONNECTOR CONTACT NUMBER X/2. EXAMPLE: CABLE CONDUCTOR 46 TERMINATES TO CONNECTOR CONTACT NUMBER 23 (46/2).
- 9. EXCEPTIONS TO NOTE 8 AND DIFFERENCES BETWEEN CONNECTORS ARE SHOWN IN THE TABLE BELOW.
- ⑩ CONTACTS: 0.38μm[.000015] MIN GOLD ON MATING END, GOLD FLASH ON TERMINATION END, ALL OVER 1.27μm[.000050] MIN NICKEL ON ENTIRE CONTACT. GROUND BUS: GOLD FLASH OVER 1.27μm[.000050] MIN NICKEL ON ENTIRE GROUND BUS.

| CABLE CONDUCTOR # | CABLE CONDUCTOR # SHOWN CONNECTS TO: | | |
|-------------------|--------------------------------------|---------------------------|--------------------------|
| | BLUE CONNECTOR CONTACT # | BLACK CONNECTOR CONTACT # | GRAY CONNECTOR CONTACT # |
| 4 | 2 & GROUND BUS | 2 & GROUND BUS | 2 & GROUND BUS |
| 38 | 19 & GROUND BUS | 19 & GROUND BUS | 19 & GROUND BUS |
| 44 | 22 & GROUND BUS | 22 & GROUND BUS | 22 & GROUND BUS |
| 48 | 24 & GROUND BUS | 24 & GROUND BUS | 24 & GROUND BUS |
| 52 | 26 & GROUND BUS | 26 & GROUND BUS | 26 & GROUND BUS |
| 56 | 28 | 28 | NC (OPEN) |
| 60 | 30 & GROUND BUS | 30 & GROUND BUS | 30 & GROUND BUS |
| 68 | 34 & GROUND BUS | 34 | 34 |
| 80 | 40 & GROUND BUS | 40 & GROUND BUS | 40 & GROUND BUS |

| | | | | | |
|----------|---|-------------------------------|-------|---|-----------|
| OBSOLETE | ⑩ | DEVICE(1) SLAVE SYSTEMS BOARD | GRAY | ④ | 1658619-6 |
| | ⑩ | DEVICE(O) PRIMARY | BLUE | ④ | 1658619-5 |
| | ⑩ | DEVICE(O) PRIMARY | BLACK | | 1658619-4 |
| OBSOLETE | ② | DEVICE(1) SLAVE SYSTEMS BOARD | GRAY | ④ | 1658619-3 |
| OBSOLETE | ② | DEVICE(O) PRIMARY | BLUE | ④ | 1658619-2 |
| OBSOLETE | ② | DEVICE(O) PRIMARY | BLACK | | 1658619-1 |

| FINISH | CONNECTOR TYPE | HOUSING COLOR | PART NUMBER |
|--------|----------------|---------------|-------------|
| ① | SEE TABLE | | |

| | | | |
|--|------------------|----------------------------|---|
| THIS DRAWING IS A CONTROLLED DOCUMENT. | | DIN R SAMICK 22AUG03 | TE Connectivity |
| DIMENSIONS: mm [INCHES] | | CHK C. RÖHDE 22AUG03 | |
| TOLERANCES UNLESS OTHERWISE SPECIFIED: | | APPRO M. WALMSLEY 22AUG03 | NAME RECEPTACLE ASSY LEAD FREE, AMP-LATCH™ ULTRA NOVO |
| 0 PLC ± - | 1 PLC ± - | PRODUCT SPEC 108-1740 | |
| 2 PLC ± 0.08 [INCHES] | 3 PLC ± - | APPLICATION SPEC 114-40056 | SIZE CAGE CODE DRAWING NO |
| 4 PLC ± - | ANGLES ± - | WEIGHT 0.000000 | A1 00779 C=1658619 |
| MATERIAL ① | FINISH SEE TABLE | CUSTOMER DRAWING | SCALE 4:1 SHEET 1 OF 1 REV A4 |