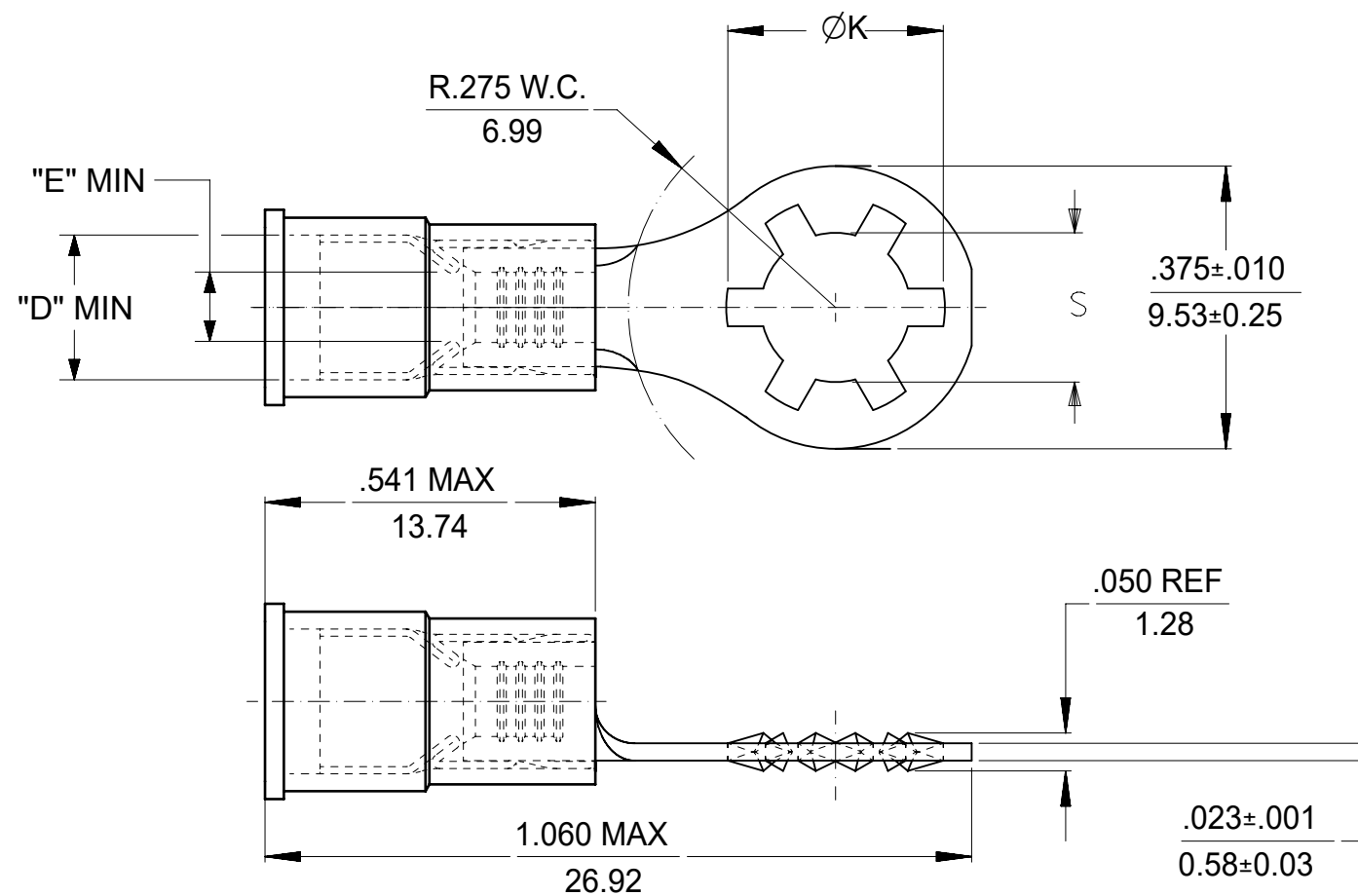


MATERIAL NO.	ENG NO.	HOUSING COLOR WIRE AWG	TERMINAL MAT'L	S ±.007/.178	K REF	"D" MIN	"E" MIN
190760001	SRA-529-06	RED	BRASS	.146/3.71	.236/5.99	.140 (3.56)	.054 (1.37)
190760003	SRA-529-08	22-18 AWG		.173/4.40	.263/6.68		
190760005	SRA-529-10	(0.38-0.96MM ²)		.198/5.03	.288/7.32		
190760013	SRB-529-06	BLUE		.146/3.71	.236/5.99	.170 (4.32)	.084 (2.13)
190760015	SRB-529-08	16-14 AWG		.173/4.40	.263/6.68		
190760017	SRB-529-10	(1.23-1.94MM ²)		.198/5.03	.288/7.32		
190760007	SRA-S-529-06	RED	STEEL	.146/3.71	.236/5.99	.140 (3.56)	.054 (1.37)
190760009	SRA-S-529-08	22-18 AWG		.173/4.40	.263/6.68		
190760011	SRA-S-529-10	(0.38-0.96MM ²)		.198/5.03	.288/7.32		
190760019	SRB-S-529-06	BLUE		.146/3.71	.236/5.99	.170 (4.32)	.084 (2.13)
190760021	SRB-S-529-08	16-14 AWG		.173/4.40	.263/6.68		
190760023	SRB-S-529-10	(1.23-1.94MM ²)		.198/5.03	.288/7.32		



A1
NOTE(S):
1. FINISH:
TERMINAL: TIN-PLATED (BRASS OR STEEL)
FERRULE: TIN-PLATED BRASS
2. MWID: MAXIMUM WIRE INSULATION DIAMETER.
3. ASSEMBLY IS RoHS COMPLIANT.

ORIGINAL DRAWING WAS SD-19076-001

THIS DRAWING CONTAINS INFORMATION THAT IS PROPRIETARY TO MOLEX ELECTRONIC TECHNOLOGIES, LLC AND SHOULD NOT BE USED WITHOUT WRITTEN PERMISSION									
FUNCTIONAL SYMBOLS	DIMENSION UNITS	SCALE	CURRENT REV DESC: WAS DWG: SD-19076-001. UPDATE DWG & RMV BOM.						
	INCH/MM	4:1	molex STAR RING TERMINAL, AVIKRIMP PRODUCT CUSTOMER DRAWING EC NO: 672118 DRWN: DMYRICK 2021/07/30 CHK'D: JMACNEIL 2021/08/02 APPR: JMACNEIL 2021/08/02 INITIAL REVISION: DRWN: APPR:						
GENERAL TOLERANCES (UNLESS SPECIFIED)									
	MM INCH								
4 PLACES	± ±								
3 PLACES	± ±								
DIVISIONAL SYMBOLS	2 PLACES	± ±	DOCUMENT NUMBER		DOC TYPE	DOC PART	REVISION		
1 PLACE	± ±	190760001		PSD	000	A1			
0 PLACES	± ±	SEE CHART				1 OF 1			
ANGULAR TOL ± °		THIRD ANGLE PROJECTION		DRAWING	SERIES	MATERIAL NUMBER	CUSTOMER	SHEET NUMBER	
DRAFT WHERE APPLICABLE MUST REMAIN WITHIN DIMENSIONS				B-SIZE	19076				