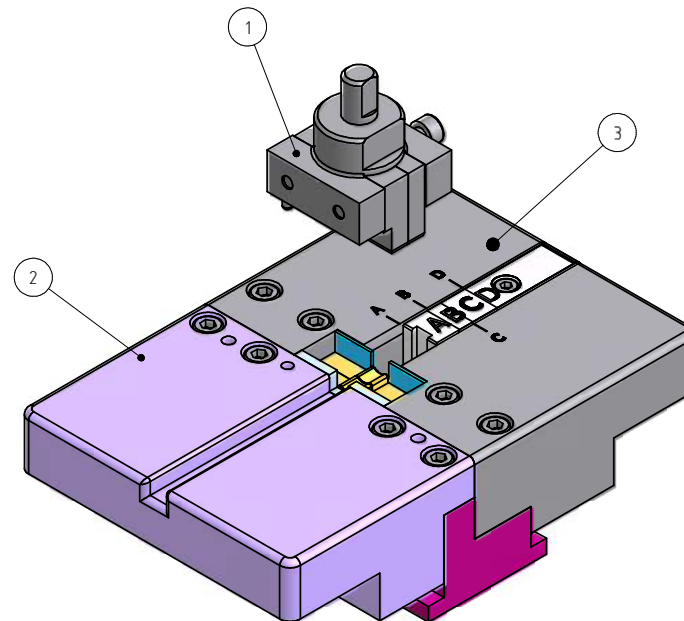
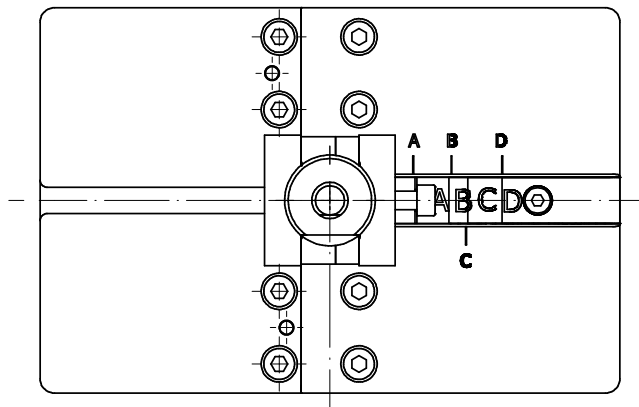
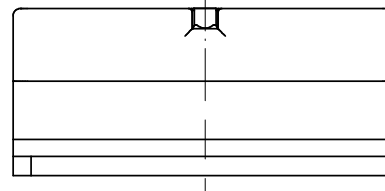
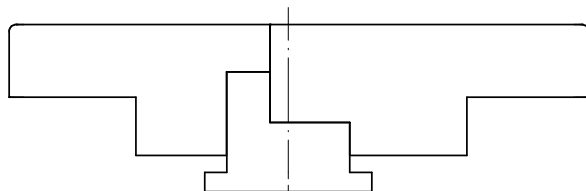
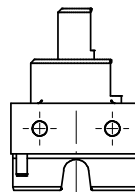
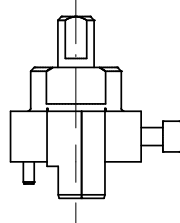


REVISIONS				
P	LTR	DESCRIPTION	DATE	OWN APVD
E1		INITIAL REVISION	29JUN11	LS GS





CONNECTOR INSERT 1-509494-0 FOR HOUSING 155° VERSION N.
 OPTIONAL: ADAPTER 528449-4 OR 528449-8 FOR MANUAL-PRESS

THIS DRAWING IS A CONTROLLED DOCUMENT.		OWN L. Sandhu 29 JUN 11	STE TE Connectivity	
DIMENSIONS: mm		CHK L. Sandhu 29 JUN 11	NAME APPLICATOR, 10POS. MQS-CONNECTOR	
TOLERANCES UNLESS OTHERWISE SPECIFIED: 0 PLC # 1 PLC # 2 PLC # 3 PLC # 4 PLC # ANGLES #		APVD L. Sandhu 29 JUN 11	Applicator, 10pos. MQS- Steckverbinder	
MATERIAL		FINISH	SIZE A2	RESTRICTED TO
		Gewicht / Weight in Kg 4,232	CAGE CODE 00779	DRAWING NO 1-510173-3
		CUSTOMER DRAWING		SCALE 1:1 SHEET 1 of 2 REV E1

POS	QTY	TE/PN	REV	DESCRIPTION	S=Spare Parts W=Wear Parts	S	W
1	1	5-0528441-9	B	UPPER TOOL		<input checked="" type="checkbox"/>	<input type="checkbox"/>
2	1	6-0528441-0	C	LOWER TOOL UNTERWERKZEUG		<input checked="" type="checkbox"/>	<input type="checkbox"/>
3	1	0-0509494-9	C	CONNECTOR INSERT STECKEREINLAGE		<input checked="" type="checkbox"/>	<input type="checkbox"/>

REMARKS:						USED ON 0-2079323-2-A	
-----------------	--	--	--	--	--	---------------------------------	--

P	LTR	REVISION RECORD	DATE	DWN	APVD	PRINTED	DWN	CHK	APVD	
-	C	SEE SHEET 1	-	-	-	29JUN11	B. KRAMLER	B. KRAMLER	B. KRAMLER	
-	D	SEE SHEET 1	-	-	-	WEIGHT SEE SHEET 1	DIMENSION (mm) SEE SHEET 1	MATERIAL SEE SHEET 1	HT TR SEE SHEET 1	
-	E	SEE SHEET 1	-	-	-		TOLERANCES UNLESS OTHERWISE SPECIFIED SEE SHEET 1	 TE Connectivity SPARE AND WEAR PARTS LIST		
-	E1	SEE SHEET 1	-	-	-	NAME APPLICATOR, 10POS. MQS- CONNECTOR RESTRICTED TO -				
<small>THIS DRAWING IS A CONTROLLED DOCUMENT FOR TYCO ELECTRONICS CORPORATION. IT IS SUBJECT TO CHANGE AND THE CONTROLLING ENGINEERING ORGANIZATION SHOULD BE CONTACTED FOR THE LATEST REVISION.</small> <small>DIESES ZEICHNUNGSDOKUMENT WIRD DURCH TYCO ELECTRONICS CORPORATION KONTROLLIERT. ÄNDERUNGEN DIE DEM TECHNISCHEN FORTSCHRITT DIENEN, SIND VORBEHALTEN. DEN JEWEILS LETZTGÜLTIGEN ÄNDERUNGSSTAND ERFAHREN SIE AUF ANFRAGE</small>						SCALE SEE SHEET 1	SIZE A4	DRAWING NO C-1-510173-3	SHEET 2/2	REV E1