

ITEM	Q'TY	PART NUMBER	PART DESCRIPTION
1	1	FLPR-XX	Flexible Light Pipe Adapter, 90°, w/LED, See page 2 & 3.
2	1	FLP5-XX.X	7mm Lens Cap/FLP Assy

REV.	DESCRIPTION	DATE	APPROVED
A	Engineering Release.	06/05/08	M. C.
B	Replaced 3UWC-0.6K-F with 3UWC1.035C-F	04/26/12	T. Y.
C	Updated Table For Length "L"	11/16/12	T. Y.
D	Updated LED Optical Characteristics	09/15/15	J. C.
E	Updated LED Tables	08/15/18	M. C.
F	Updated LED Tables	11/13/18	M. C.

**NOTE: FLPR ADAPTER SHIPPED NON-ASSEMBLED**

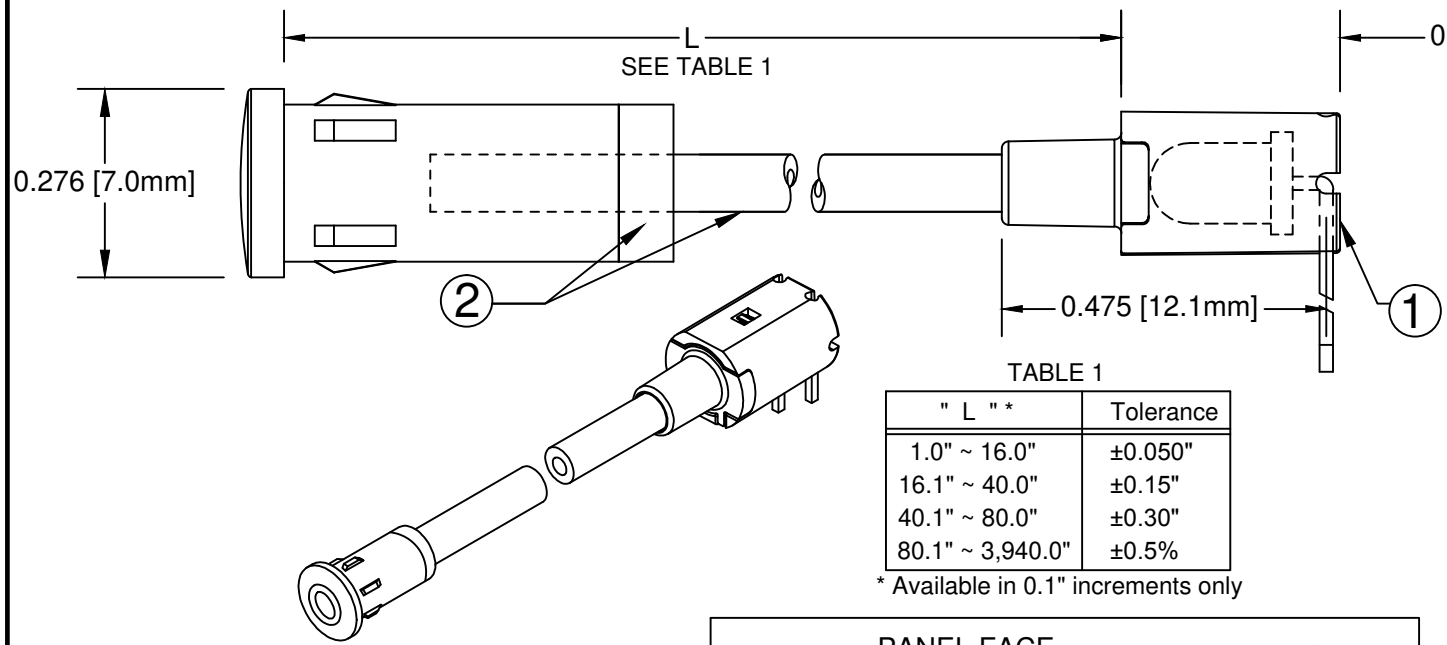
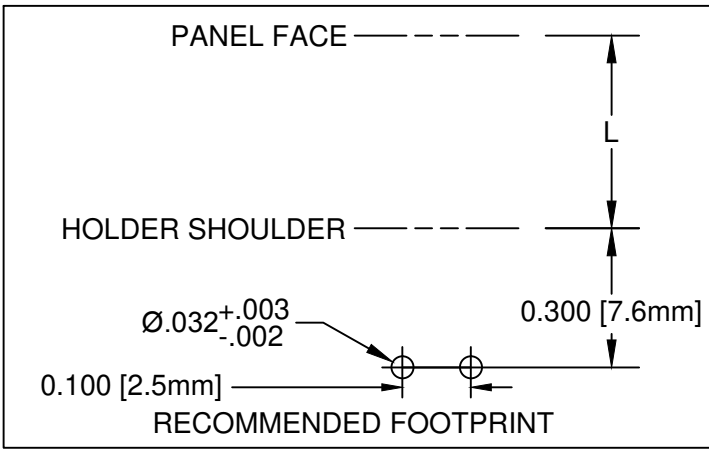
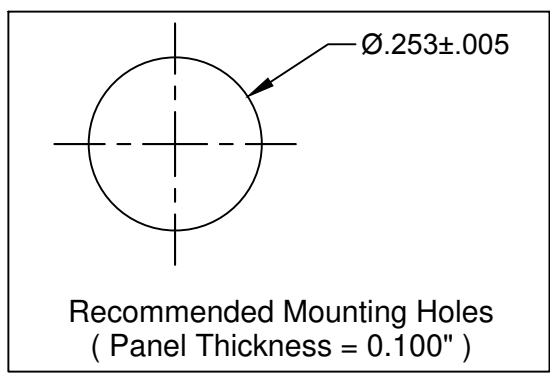
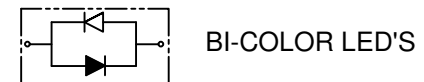
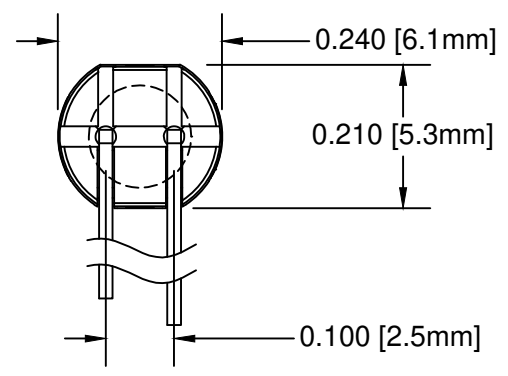


TABLE 1

" L " *	Tolerance
1.0" ~ 16.0"	±0.050"
16.1" ~ 40.0"	±0.15"
40.1" ~ 80.0"	±0.30"
80.1" ~ 3,940.0"	±0.5%

\* Available in 0.1" increments only



SHORT LEAD CATHODE	LED PART NO.	LONG LEAD CATHODE
RED	3xBCC-F	GREEN
YELLOW	3BC-Y/G-F	GREEN

**ABSOLUTE MAXIMUM RATINGS (Ta=25°C)**

REVERSE VOLTAGE \_\_\_\_\_ 5V

REVERSE CURRENT \_\_\_\_\_ 100uA

OPERATING TEMPERATURE RANGE \_\_\_\_\_ -25° C - 85° C

STORAGE TEMPERATURE \_\_\_\_\_ -30° C - 100° C

LEAD SOLDERING TEMPERATURE(1/16" FROM BODY) \_\_\_\_\_ 260° C FOR 5 SECONDS

STANDARD TOLERANCE (UNLESS OTHERWISE SPECIFIED)		 <b>BIVAR</b> <sup>®</sup> 4 THOMAS, IRVINE, CA. 92618 TEL: (949) 951-8808 FAX: (949) 951-3974			
DECIMALS	ANGULAR				
.X ±.1	X° ±1°	TITLE: FLEXIBLE LIGHT-PIPE ASSY RIGHT ANGLE, 7mm LENS CAP W/LED			
.XX ±.02					
.XXX ±.010		DESIGNED: R. PAJE	DATE: 06/05/08	PART NO: FLP5RX.X-XX	REVISION: F
		REVISED: K. BARON	DATE: 11/13/18	CAGE CODE: 32559	
		CHECKED: TD. NGUYEN	DATE: 11/13/18	SCALE: NONE	SHEET # 1 OF 3
CAD GENERATED DOCUMENT, DO NOT MEASURE DRAWING					

FLEXIBLE LP ASSY Part No.	ADAPTER Part No.	LED Part No.	Peak Wave Length	Emitted Color	Electro-Optical Data @ 20mA		
			$\lambda_p$ (nm)		Vf (V)		Iv (m cd)
					TYP	MAX	TYP
FLP5RX.X-SG	FLPR-SG	3SGC-F	568	SUPER GREEN	2.1	2.8	50
FLP5RX.X-SY	FLPR-SY	3SYC-F	590	SUPER YELLOW	2.0	2.8	50
FLP5RX.X-SR	FLPR-SR	3SRC-F	645	SUPER RED	1.7	2.4	60
FLP5RX.X-UBW.6K	FLPR-UBW.6K	3UBWC-0.6K-F	470	BLUE	4.0	4.5	400
FLP5RX.X-UT	FLPR-UT	3UTC-F	500	TURQUOISE	3.5	4.0	800
FLP5RX.X-UG	FLPR-UG	3UGC-F	570	GREEN	2.1	2.4	200
FLP5RX.X-SUG	FLPR-SUG	3SUGC-F	570	GREEN	2.1	2.4	300
FLP5RX.X-UY	FLPR-UY	3UYC-F	590	YELLOW	2.0	2.4	300
FLP5RX.X-UR	FLPR-UR	3URC-F	645	RED	1.7	2.4	200
FLP5RX.X-SUR	FLPR-SUR	3SURC-F	640	RED	1.8	2.4	200
FLP5RX.X-UW.6K	FLPR-UW.6K	3UWC1.035C-F	-	WHITE	3.2	3.6	6000

VISIT [WWW.BIVAR.COM](http://WWW.BIVAR.COM) FOR CURRENT LED DATASHEETS  
LED DETAILS ON DATASHEETS TAKE PRECEDENCE OVER DETAILS SHOWN HERE

FLEXIBLE LIGHT PIPE SERIES **FLP5R X.X - XXX**

Emitted Colors

"L" LENGTH, inches  
available in 0.1" increments only  
e.g. 6.0, 11.5

FLEXIBLE LP ASSY Part No.	Adapter Part No.	LED Part No.	Peak Wave Length $\lambda_p$ (nm)	Emitted Color	Electro-Optical Data @ 20m A		
					Vf (V)		Iv (m cd)
					TYP	MAX	TYP
FLP5RX.X-BC	FLPR-BC	3BCC-F	625	HE RED	2.0	2.8	8
			568	GREEN	2.1	2.8	8
FLP5RX.X-SBC	FLPR-SBC	3SBCC-F	645	SUPER RED	1.7	2.4	100
			568	HE GREEN	2.1	2.8	60

VISIT [WWW.BIVAR.COM](http://WWW.BIVAR.COM) FOR CURRENT LED DATASHEETS  
 LED DETAILS ON DATASHEETS TAKE PRECEDENCE OVER DETAILS SHOWN HERE

